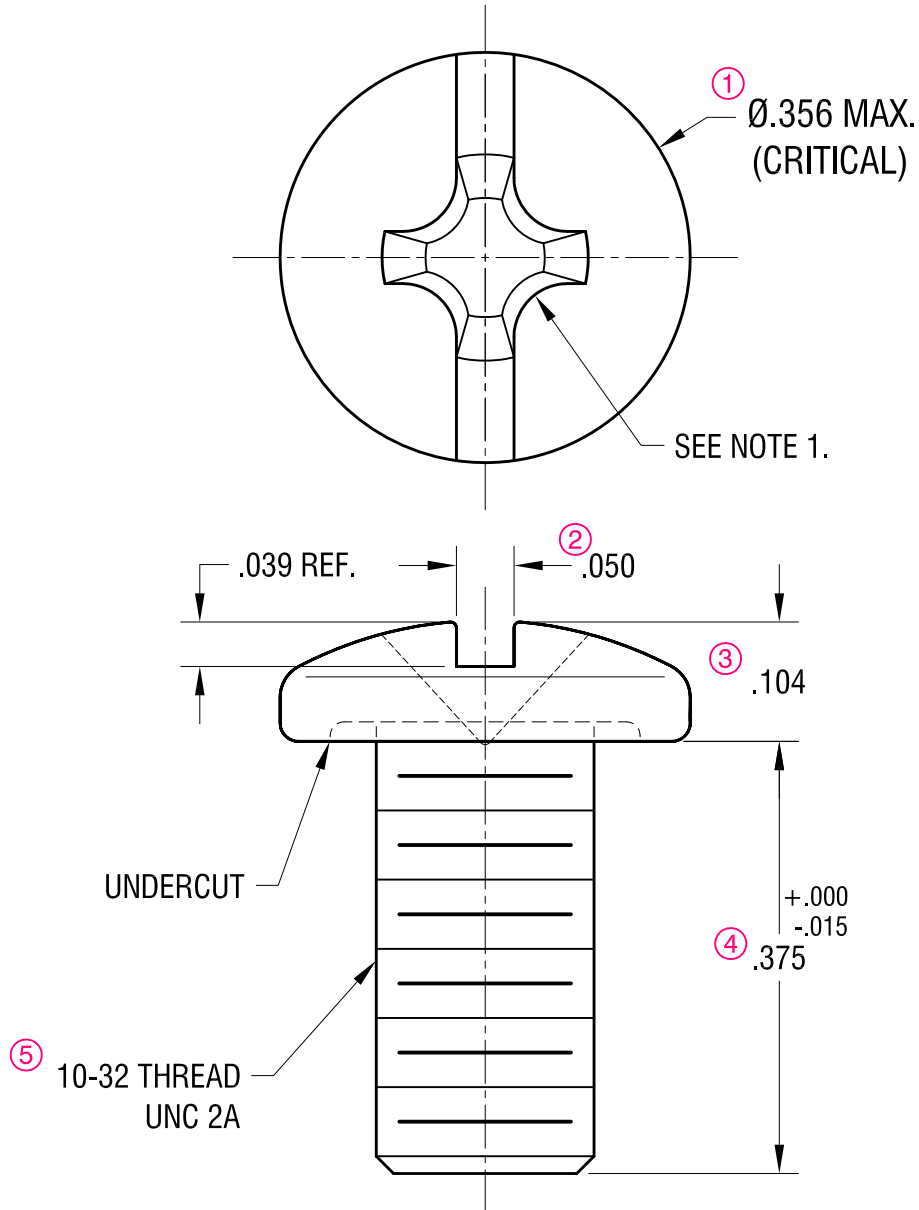


THIS DOCUMENT IS THE PROPERTY OF
KEYSTONE ELECTRONICS CORP. AND
SHALL NOT BE REPRODUCED, DISTRIBUTED
OR USED AS A BASIS FOR MANUFACTURE
WITHOUT PRIOR WRITTEN PERMISSION
FROM KEYSTONE ELECTRONICS CORP.



NOTE:

1. TO ACCEPT STANDARD SLOT OR PHILLIPS DRIVE.
2. HEAD TO BE CONCENTRIC WITH THREAD DIAMETER WITHIN .005

KEYSTONE ELECTRONICS CORP.			
ASTORIA, N.Y. 11105-2017			
PART NAME			
COMBINATION HEAD 10-32 SCREW			
MATERIAL			
⑥ STEEL			
FINISH		DRN BY	DATE
⑦ NICKEL PLATE		BOONE	1.3.05
		APP'D	SCALE
		LN	6X
TOLERANCES		INCH	[MM]
DECIMAL		± .005	[±]
ANGULAR		± 1°	
UNLESS OTHERWISE SPECIFIED		CODE	DWG NO.
		F	F1283

DATE	DESCRIPTION	REV.