

MATERIALS AND FINISHES

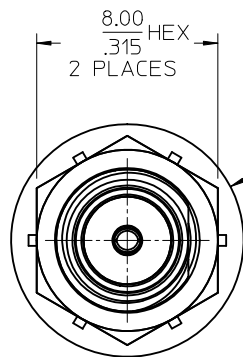
BODY, JAM NUT, CRIMP TUBE BRASS
PLATED GOLD

CENTER CONTACT BERYLLIUM COPPER
PLATED GOLD

INSULATOR TEFLON

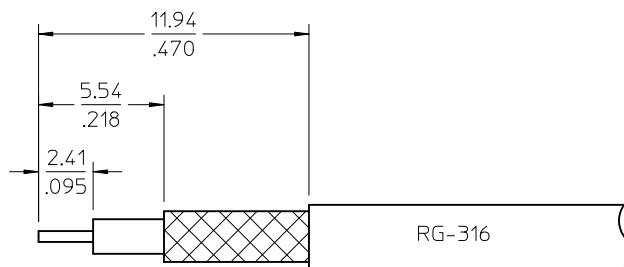
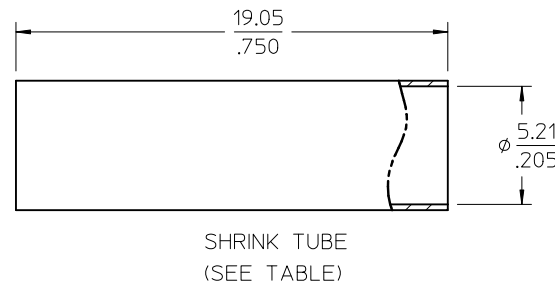
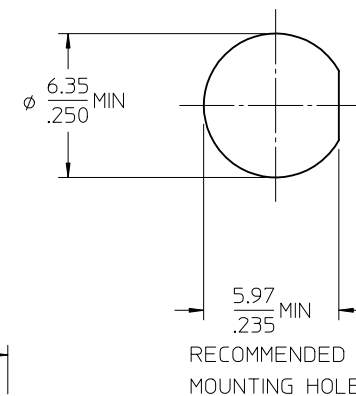
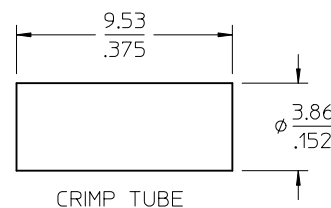
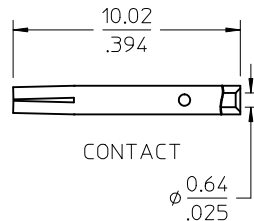
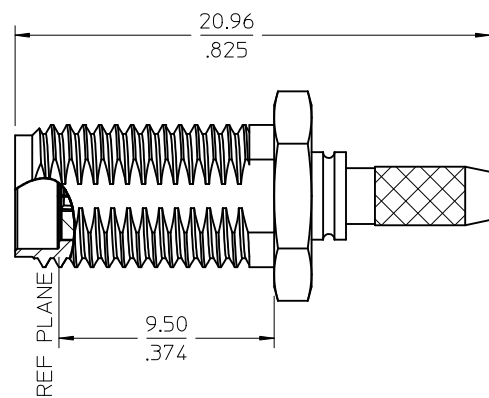
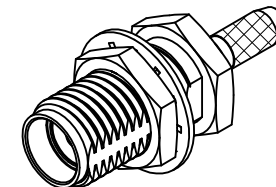
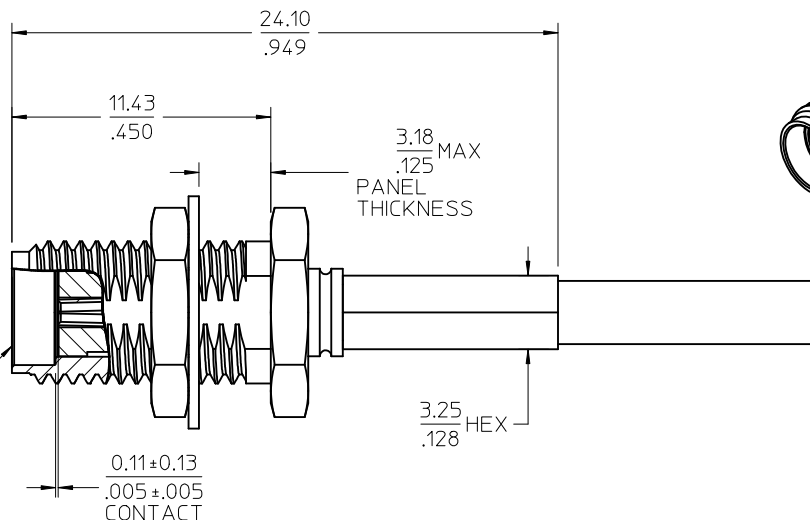
LOCKWASHER PHOSPHER BRONZE
PLATED GOLD

SHRINK TUBE BLACK



ϕ 10.26
.404
LOCKWASHER

SMA JACK
INTERFACE



RECOMMENDED CABLE STRIP

PS-89675-3460	ELECTRO/MECH PERFORM.
MIL-STD-348A, FIG. 310.2	INTERFACE
SPECIFICATION	DESCRIPTION

73251-0933	P/N 73251-0930, BY TRAY (20CAV.)
73251-0932	ONE PIECE 73251-0930 PER BAG
73251-0931	WITHOUT SHRINK TUBE
73251-0930	WITH SHRINK TUBE
PART NO.	PACKAGING

CHG: DELETE ASSY
SPEC ES-89675-164
PS-89675-346 WAS
ES-89675-2100
EC NO: URF2011-0777
DRWN:JIENER 2011/07/01
CHKD:SSS 2011/07/01
APPR:JIENER 2011/07/05

REV	DESCRIPTION
B4	

QUALITY SYMBOLS
 $\nabla=0$
 $\nabla=0$
 GENERAL TOLERANCES (UNLESS SPECIFIED)
 DIMENSION STYLE MM/IN
 SCALE
 DESIGN UNITS METRIC
 THIRD ANGLE PROJECTION
 DRAWN BY DATE
 CHECKED BY DATE
 APPROVED BY DATE
 MATERIAL NO. SEE TABLE
 DOCUMENT NO. SD-73251-093
 SHEET NO. 1 OF 1
 DRAFT WHERE APPLICABLE MUST REMAIN WITHIN DIMENSIONS

mm	INCH	TITLE
4 PLACES ± --- ± ---	TEF	SMA JACK, BLKHD, RG316 50 OHMS, EWR-1691 SMA-JC
3 PLACES ± --- ± ---	SSS	
2 PLACES ± --- ± ---	GMH	MOLEX INCORPORATED
1 PLACE ± --- ± ---		
ANGULAR ± 2 °		

MATERIALS AND FINISHES

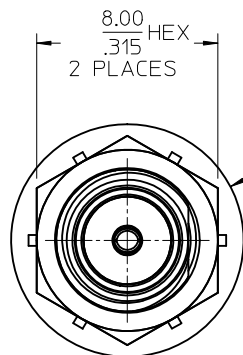
BODY, JAM NUT, CRIMP TUBE BRASS
PLATED GOLD

CENTER CONTACT BERYLLIUM COPPER
PLATED GOLD

INSULATOR TEFLON

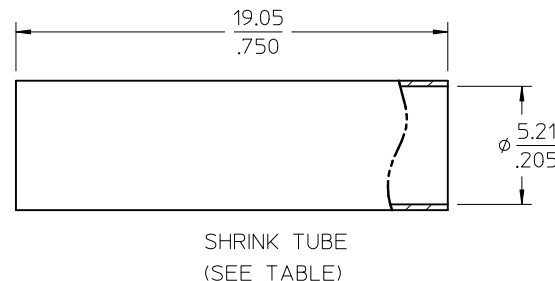
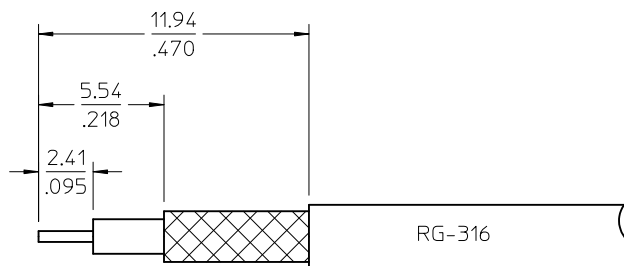
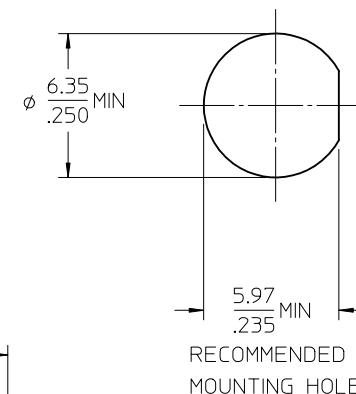
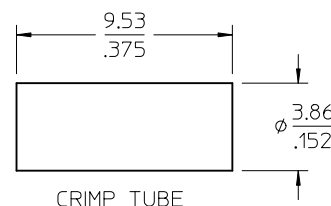
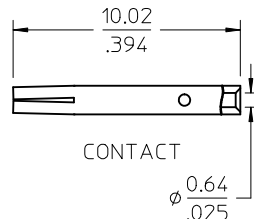
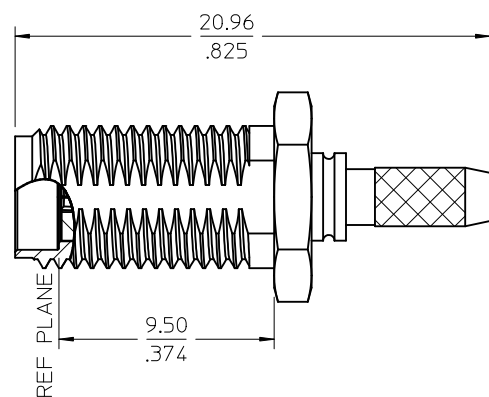
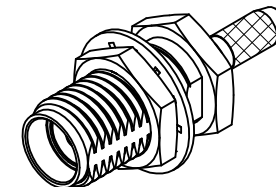
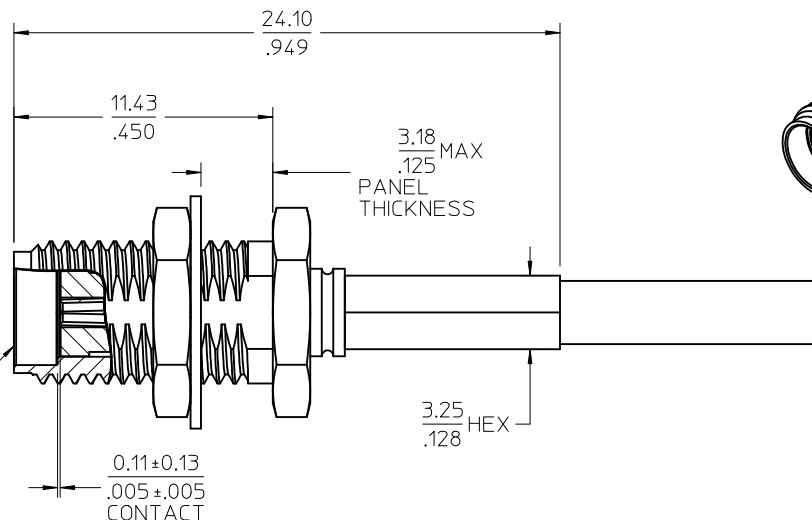
LOCKWASHER PHOSPHER BRONZE
PLATED GOLD

SHRINK TUBE BLACK



∅ 10.26
.404
LOCKWASHER

SMA JACK
INTERFACE



RECOMMENDED CABLE STRIP

PS-89675-3460	ELECTRO/MECH PERFORM.
MIL-STD-348A, FIG. 310.2	INTERFACE
SPECIFICATION	DESCRIPTION

73251-0933	P/N 73251-0930, BY TRAY (20CAV.)
73251-0932	ONE PIECE 73251-0930 PER BAG
73251-0931	WITHOUT SHRINK TUBE
73251-0930	WITH SHRINK TUBE
PART NO.	PACKAGING

CHG: DELETE ASSY
SPEC ES-89675-164
PS-89675-346 WAS
ES-89675-2100

EC NO: URF2011-0777

DRWN: JWIENER 2011/07/01
CHKD: SSS 2011/07/01
APPR: JWIENER 2011/07/05

REV	DESCRIPTION
B4	

QUALITY SYMBOLS	GENERAL TOLERANCES (UNLESS SPECIFIED)
▽=0	
▽=0	
	ANGULAR ± 2 °
	DRAFT WHERE APPLICABLE MUST REMAIN WITHIN DIMENSIONS

DIMENSION STYLE		SCALE	DESIGN UNITS	THIRD ANGLE PROJECTION
MM/IN			METRIC	
DRAWN BY	DATE	TITLE		
TEF	2002/04/03	SMA JACK, BLKHD, RG316 50 OHMS, EWR-1691 SMA-JC		
CHECKED BY	DATE	MOLEX INCORPORATED		
SSS	2002/04/03	DOCUMENT NO. SD-73251-093		
APPROVED BY	DATE	SHEET NO. 1 OF 1		
GMH	2002/04/03			
MATERIAL NO.	SEE TABLE	THIS DRAWING CONTAINS INFORMATION THAT IS PROPRIETARY TO MOLEX INCORPORATED AND SHOULD NOT BE USED WITHOUT WRITTEN PERMISSION		
SIZE	C			