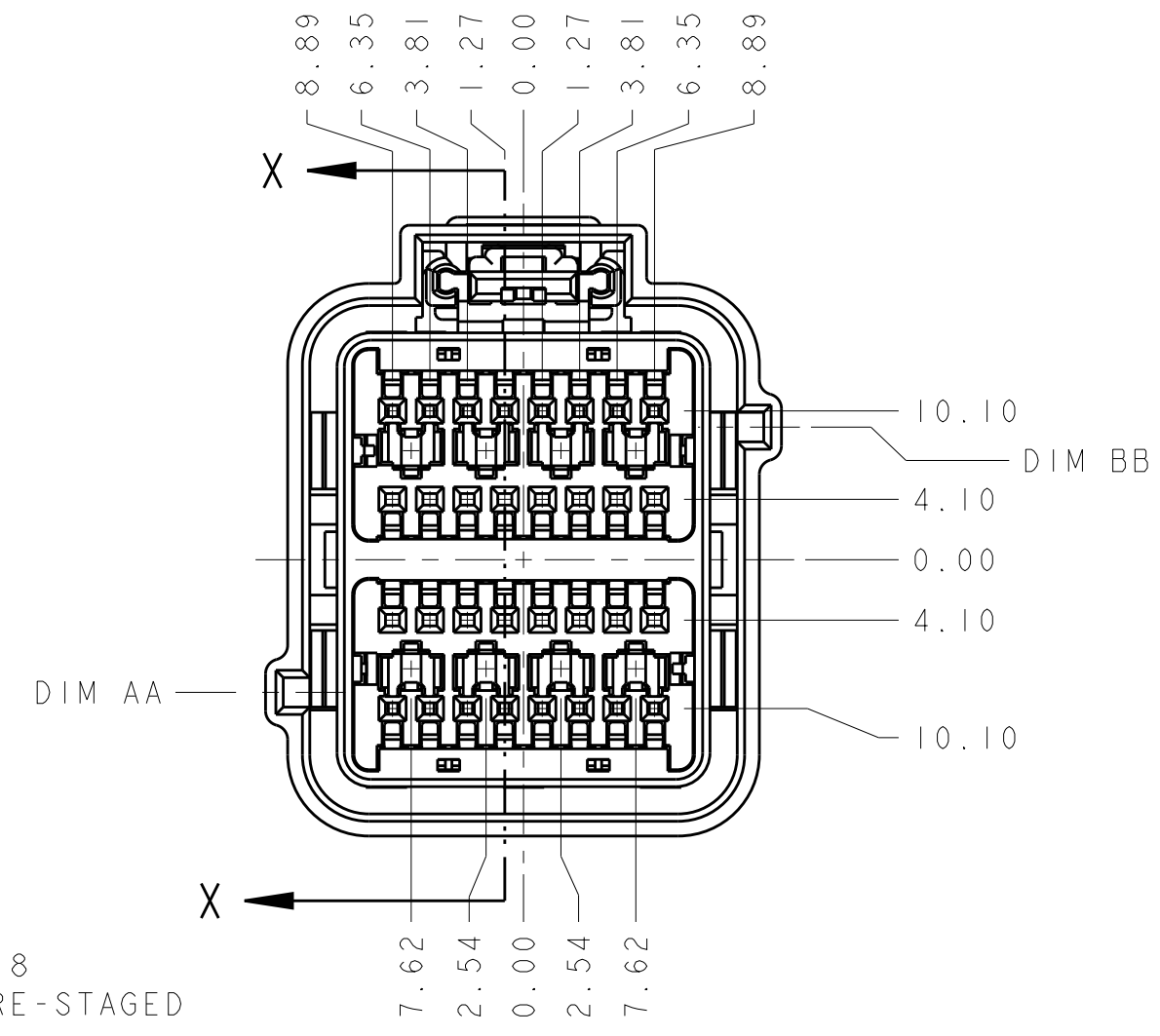
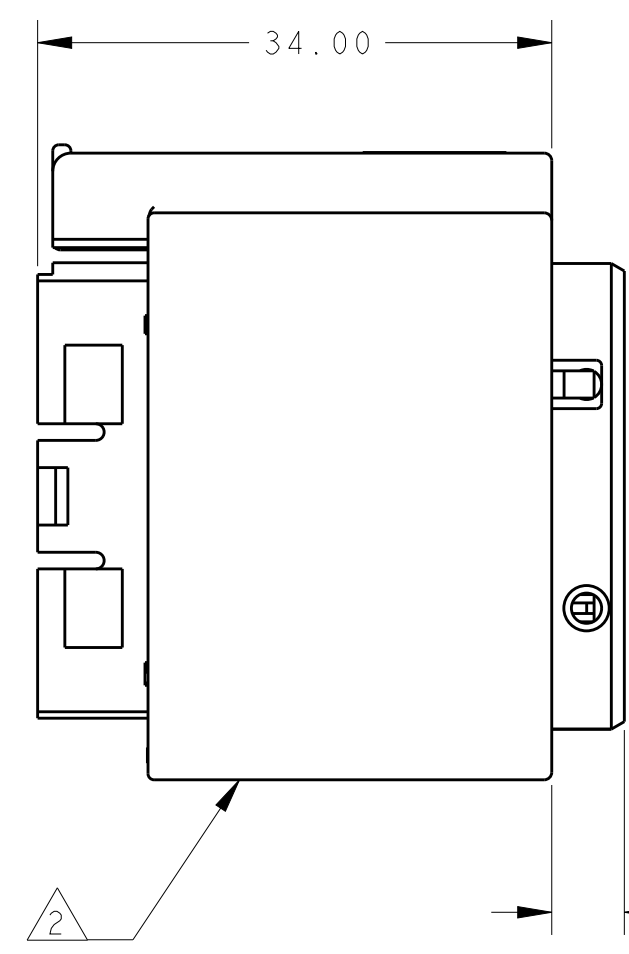
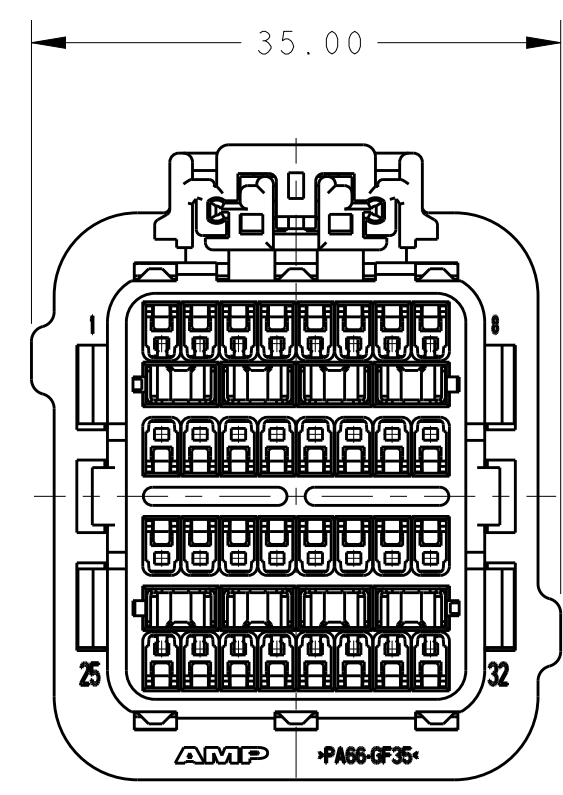
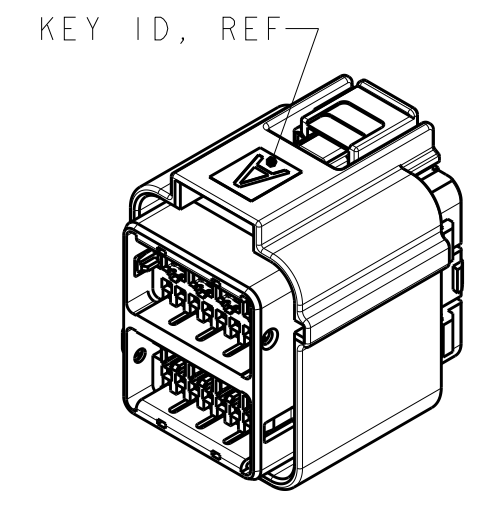
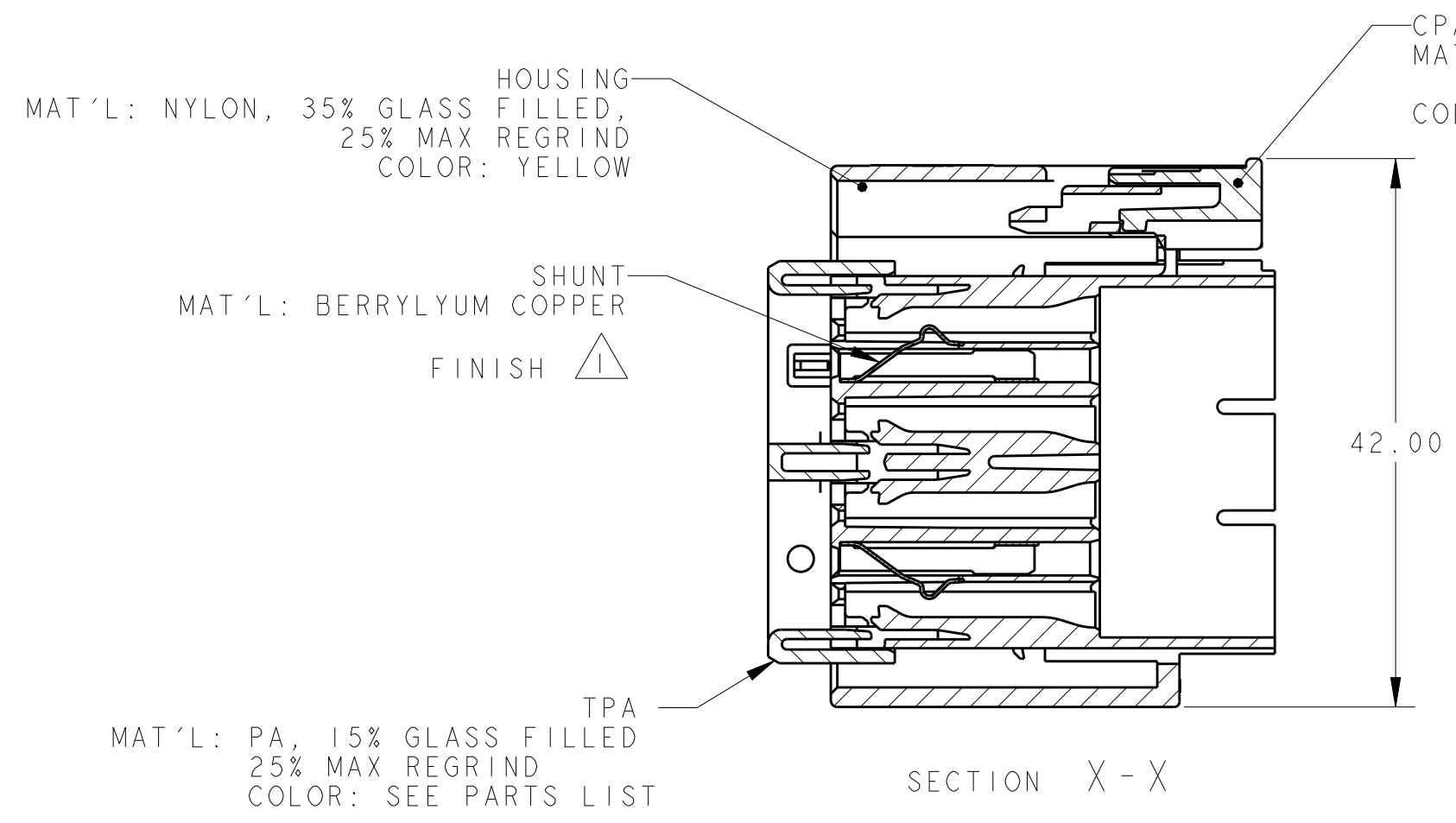


THIS DRAWING IS UNPUBLISHED. RELEASED FOR PUBLICATION  
 © COPYRIGHT 20 BY - ALL RIGHTS RESERVED.

LOC	DIST	REVISIONS					
FX	00	P	LTR	DESCRIPTION	DATE	DWN	APVD
		P		REVISED PER ECO-11-016576	19AUG2011	DLD	RL
		PI		REVISED PER ECO-12-018186	16OCT2012	DLD	CJS



1. PLATE 0.00038mm MIN THK GOLD ON SURFACE (LOCALIZED) WHICH CONTACTS TERMINAL.
2. AMP PART NUMBER AND 4-DIGIT DATE CODE THIS AREA.
3. RECOMMEND THE USE OF A STRAIN RELIEF PURCHASED SEPARATELY.
4. TERMINAL 1326028 TO BE USED WITH THIS CONNECTOR, PURCHASED SEPARATELY. SEE THE CUSTOMER DRAWING 1326028 FOR PLATING AND WIRE SIZE OPTIONS.
- 4.1 TERMINALS WITH SHUNTED PLATING (REFERENCE TO CUSTOMER DRAWING 1326028 NOTE 2 TO CHOOSE THE CORRECT TERMINAL PART NUMBER) TO BE USED IN CIRCUIT LOCATIONS 1 TO 8 AND 25 TO 32.
- 4.2 TERMINALS WITHOUT SHUNTED PLATING (REFERENCE TO CUSTOMER DRAWING 1326028 NOTE 1 TO CHOOSE THE CORRECT TERMINAL PART NUMBER) TO BE USED IN CIRCUIT LOCATIONS 9 TO 16 AND 17 TO 24.
5. REMOVED.
6. ALL DIMENSIONS ARE FOR REFERENCE.
7. MINIMUM CONNECTOR MIS-MATING FORCE RESISTED BY POLARIZING FEATURES IS 150N.
8. PLUG ASSEMBLY HAS NO SHUNTS AND NO PART MARKING. TERMINALS WITHOUT SHUNTED PLATING CAN BE USED IN ALL LOCATIONS (REFERENCE TO CUSTOMER DRAWING 1326028 NOTE 1 TO CHOOSE THE CORRECT TERMINAL PART NUMBER).



7.50	7.50	GREEN	PLUG ASSY, 32 POSN, NO SHUNTS, KEY AI	1-1326018-3
6.00	9.00	BLUE	PLUG ASSY, 32 POSN, NO SHUNTS, KEY B	1-1326018-2
9.00	6.00	RED	PLUG ASSY, 32 POSN, NO SHUNTS, KEY A	1-1326018-1
0.00	3.00	PURPLE	PLUG ASSY, 32 POSN, KEY BI	1326018-4
7.50	7.50	GREEN	PLUG ASSY, 32 POSN, KEY AI	1326018-3
6.00	9.00	BLUE	PLUG ASSY, 32 POSN, KEY B	1326018-2
9.00	6.00	RED	PLUG ASSY, 32 POSN, KEY A	1326018-1
DIM BB	DIM AA	TPA COLOR	DESCRIPTION	PART NUMBER
KEYING DIMENSIONS				

THIS DRAWING IS A CONTROLLED DOCUMENT.

DWN F. KINSEY 11NOV99  
 CHK LTL 23NOV99  
 APVD LTL 23NOV99

SAE USCAR-2 8/97  
 PF 9600 REV B

**STE** TE Connectivity

PLUG ASSEMBLY,  
 32 POSITION, UNSEALED,  
 0.64mm CONNECTOR

SIZE CAGE CODE DRAWING NO RESTRICTED TO  
 A20779 C-1326018

WEIGHT -

CUSTOMER DRAWING SCALE 2:1 SHEET 1 OF 1 REV PI