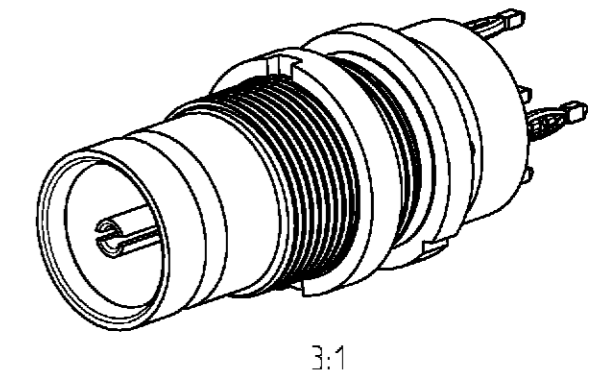
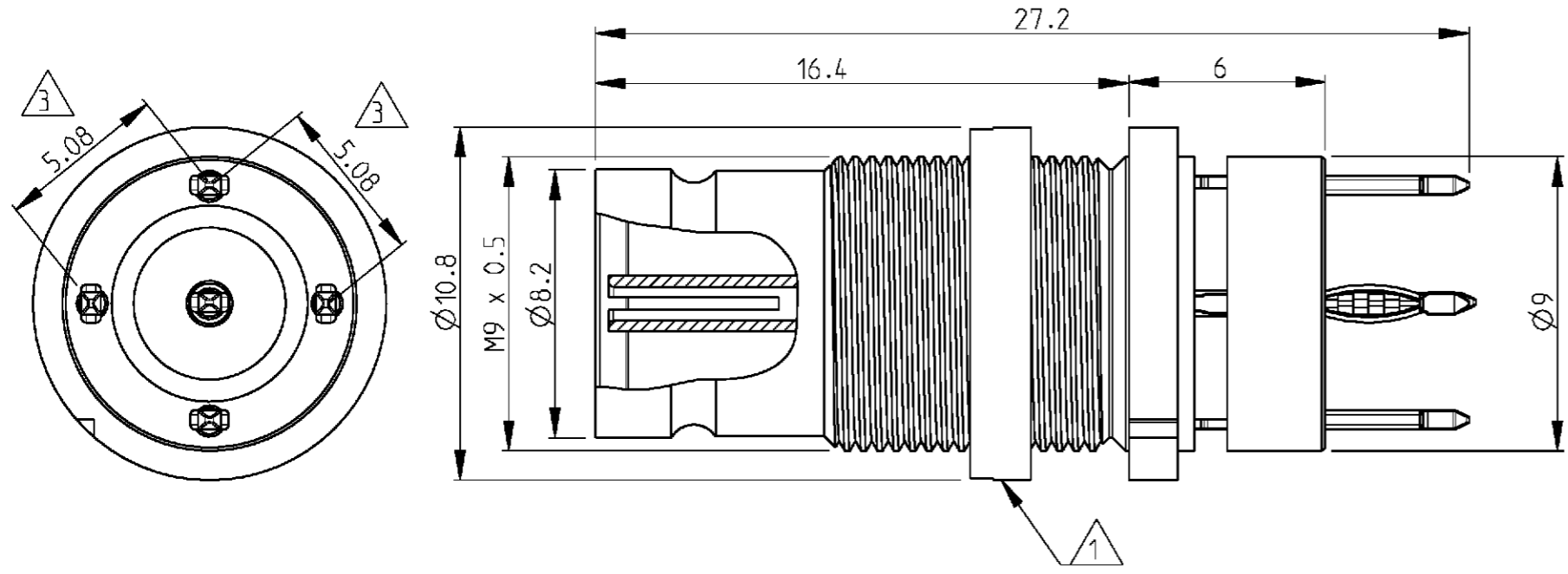
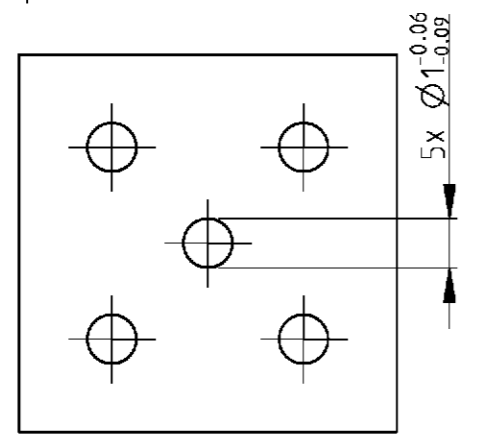


THIS DRAWING IS UNPUBLISHED. RELEASED FOR PUBLICATION 2000
 © COPYRIGHT 2000 BY TYCO ELECTRONICS CORPORATION. ALL RIGHTS RESERVED.

LOC	DIST	REVISIONS				
P	LTR	DESCRIPTION	DATE	DWN	APVD	
GW	-					
	A	-	05APR2001	BL	KM	
	A1	REVISED PER ECO-09-026495	NOV09	KK	AEG	



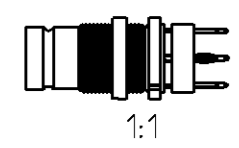
Recommended PCB layout
 According to IEC 352-5
 pitch 2.54



OBSOLETE
 5

Cross reference table				
Old part number	Tyco part number	Description	Material	Plating
V23612-B1030-G5	2-1393757-1	Outer conductor	Brass	1 µm Au min in contact area
		Center conductor	CuBe	1 µm Au min in contact area
		Dielectric	PEEK/PTFE	-
V23612-A1030-G5	2-1393757-0	Outer conductor	Brass	1 µm Au min in contact area
		Center conductor	CuBe	1 µm Au min in contact area
		Dielectric	PEEK/PTFE	-

- 5 **OBSOLETE PARTS: OBSOLETE CIS STREAMLINING PER D.RENAUD/D.SINISI**
- 4) All dimensions are maximum.
- 3 Nominal dimensions
- 2) Mating face according to DIN 47295/CECC 22240.
- 1 Supplied as loose part.



<small>THIS DRAWING IS A CONTROLLED DOCUMENT FOR TYCO ELECTRONICS CORPORATION. IT IS SUBJECT TO CHANGE AND THE CONTROLLING ENGINEERING ORGANIZATION SHOULD BE CONTACTED FOR THE LATEST REVISION.</small>		DWN 30MAR2001 B. Lenvain		Tyco Electronics Oostkamp - Belgium	
DIMENSIONS: mm		TOLERANCES UNLESS OTHERWISE SPECIFIED:		NAME Bulkhead jack 1.6/5.6 with PCB connection	
		0 PLC ± 1 PLC ±± 2 PLC ±±± 3 PLC ±±±± 4 PLC ±±±±± ANGLES ±		SIZE A3 CAGE CODE 00779 DRAWING NO. C-2-1393757-0	
MATERIAL -		FINISH -		RESTRICTED TO -	
CUSTOMER DRAWING		SCALE 5/1		SHEET 1 OF 1 REV A1	