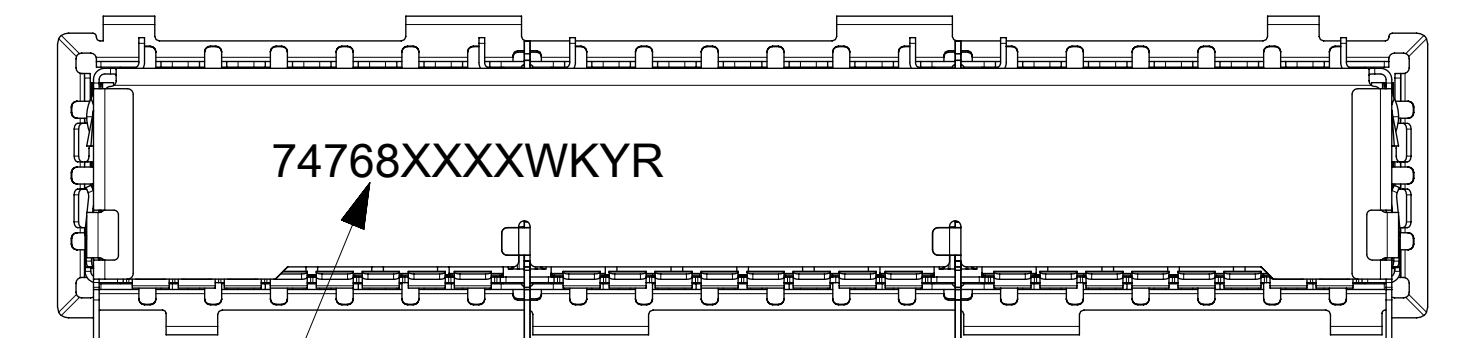
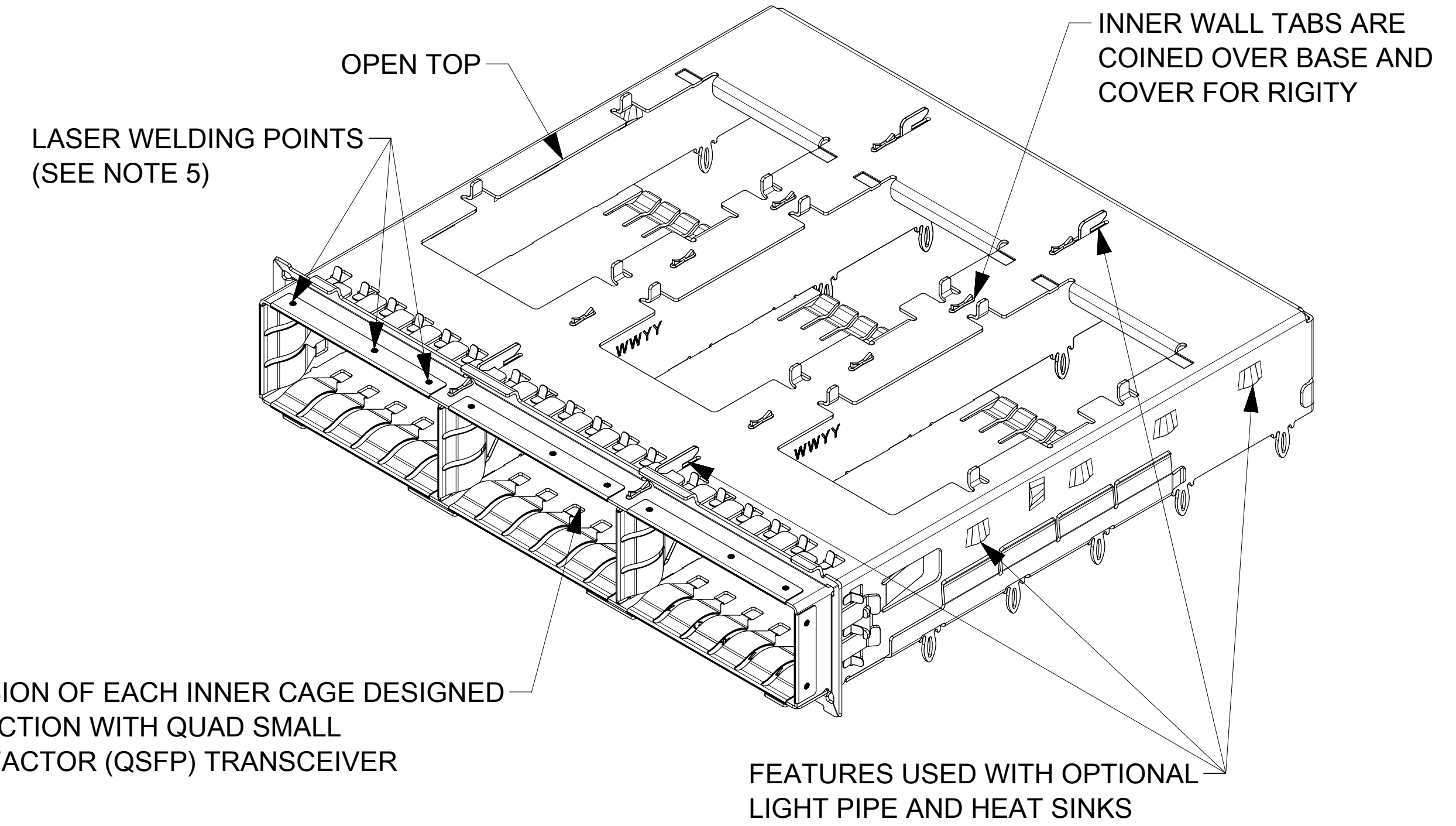
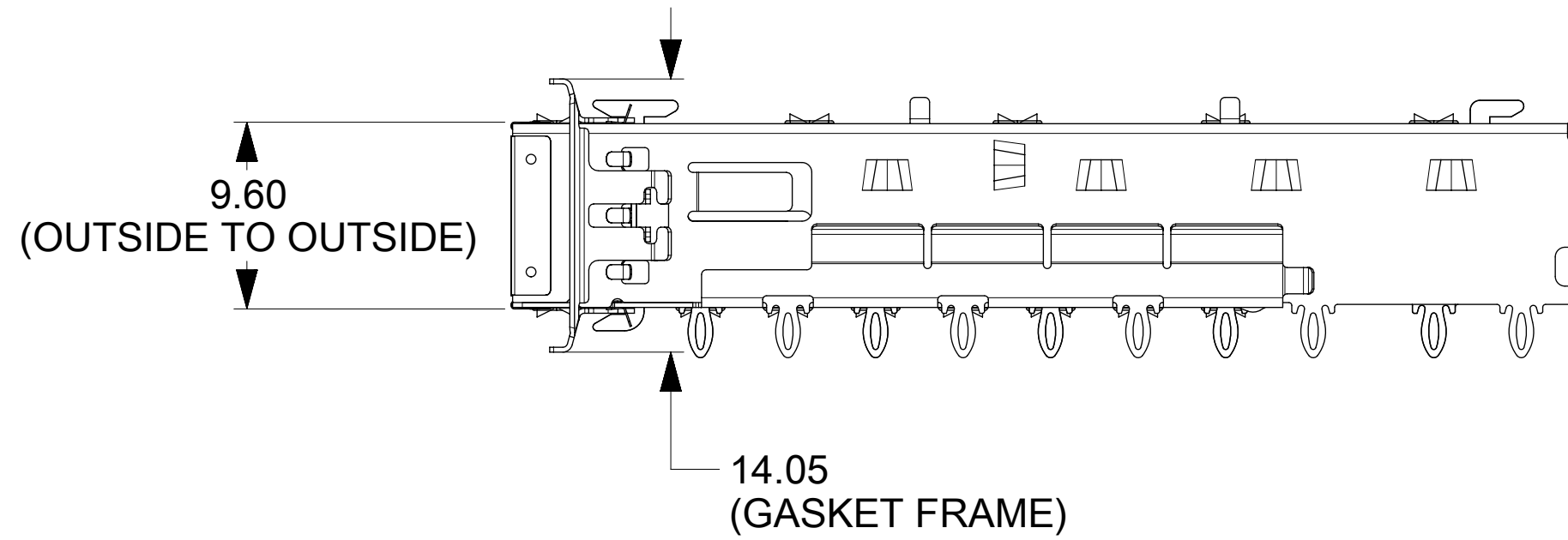
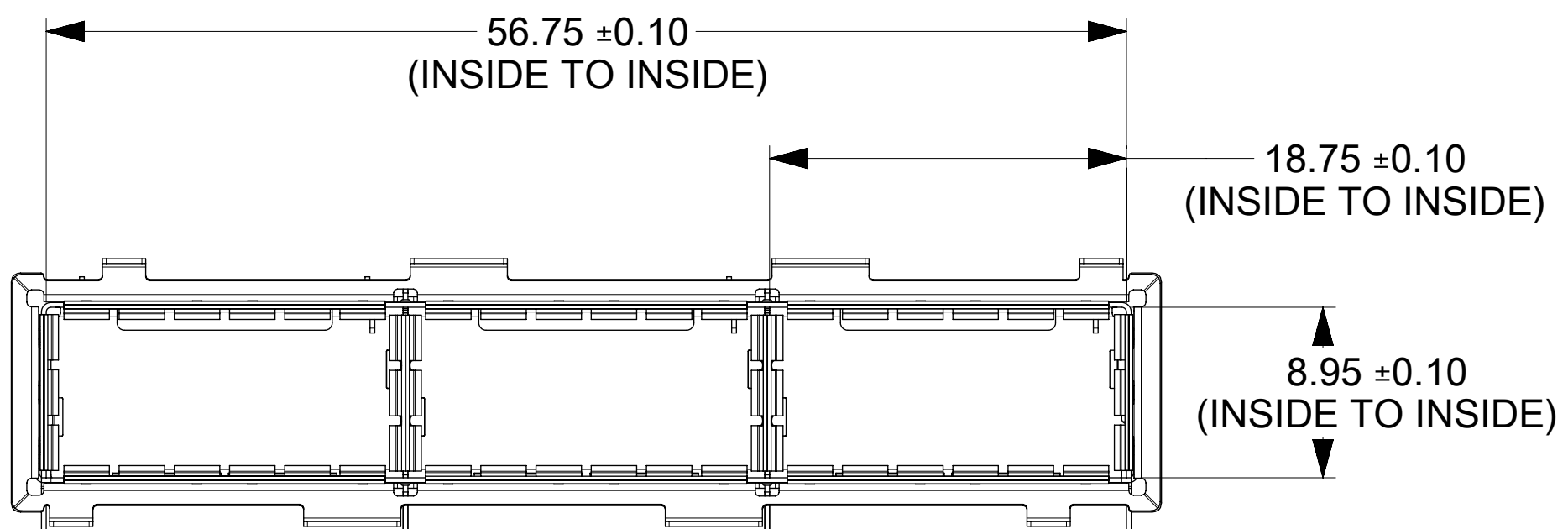
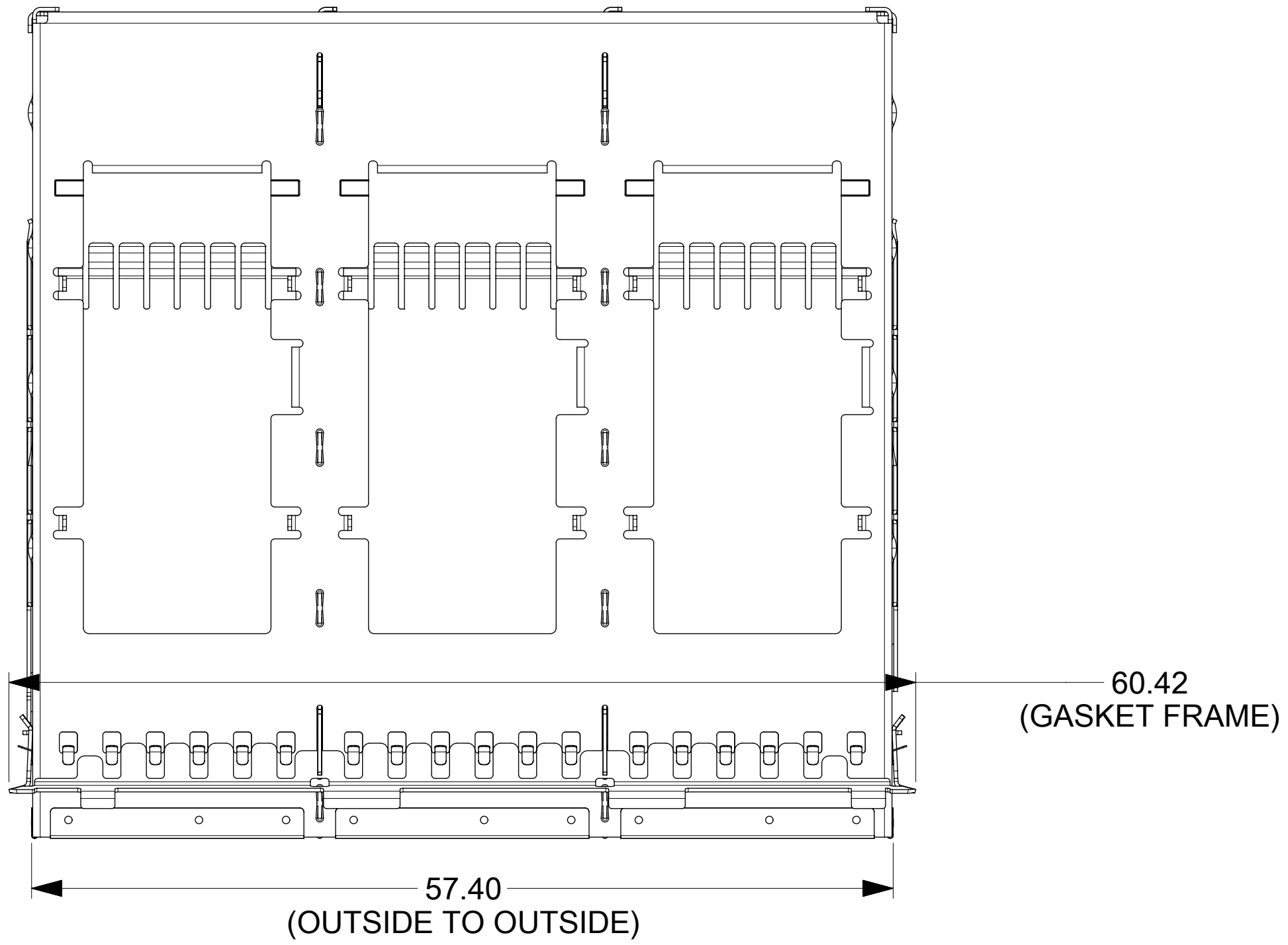


# BASE CAGE DETAILS

(APPLIES TO ALL CAGES IN THIS DRAWING)

747683211

SHOWN



PART NO. AND WEEK/YEAR DATE CODE TO BE PRINTED ON BACK OF COMPLETED CAGE ASSEMBLY APPROXIMATELY AS SHOWN. SEE TABLE BELOW FOR DATE CODE INFORMATION.

WEEK/YEAR DATE CODE TABLE	
WW	01 THRU 52 EXAMPLE: 01 = FIRST WEEK OF YEAR 52 = LAST WEEK OF YEAR
YY	22, 23, 24 ETC. EXAMPLE: YEAR 2022 = 22

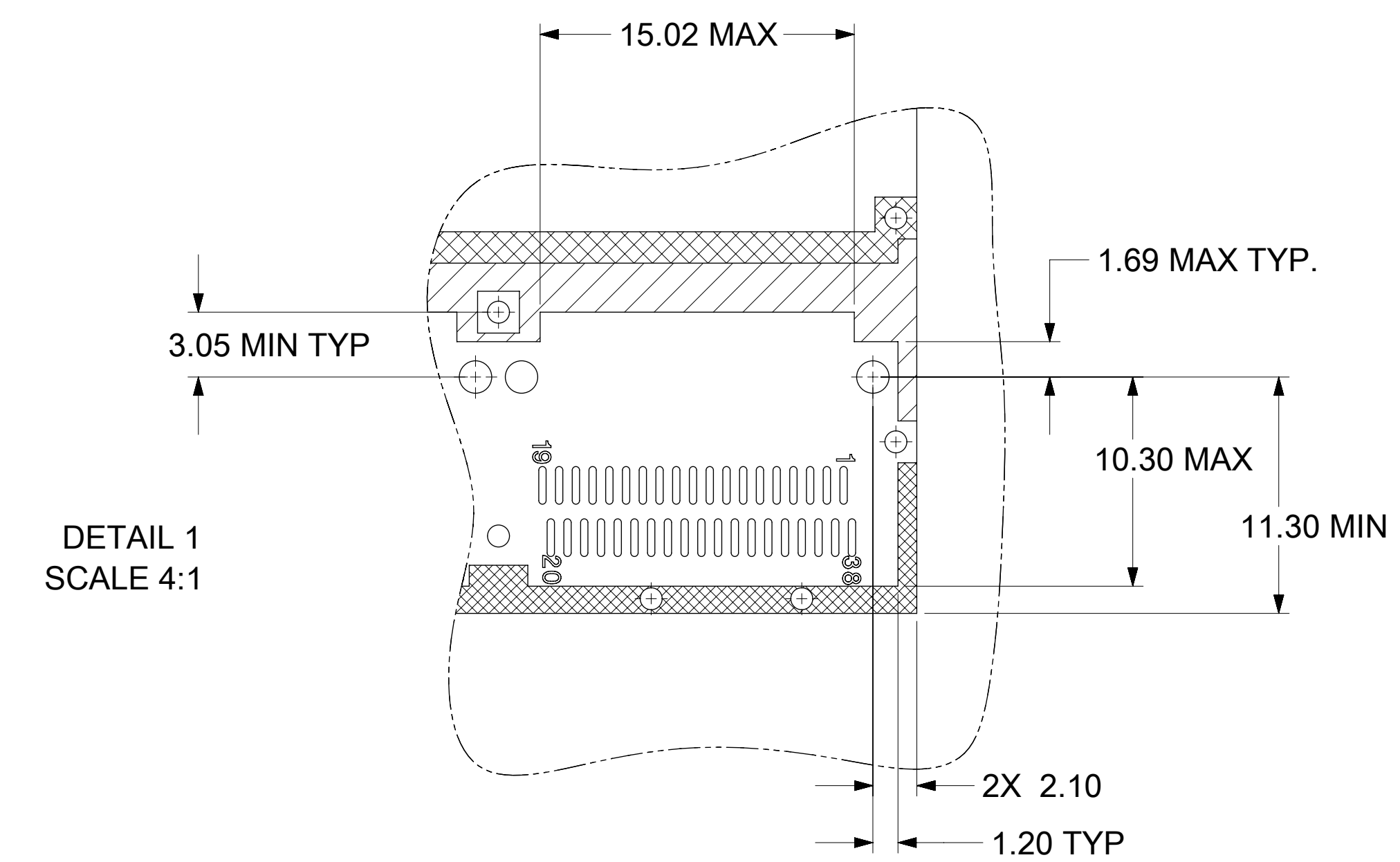
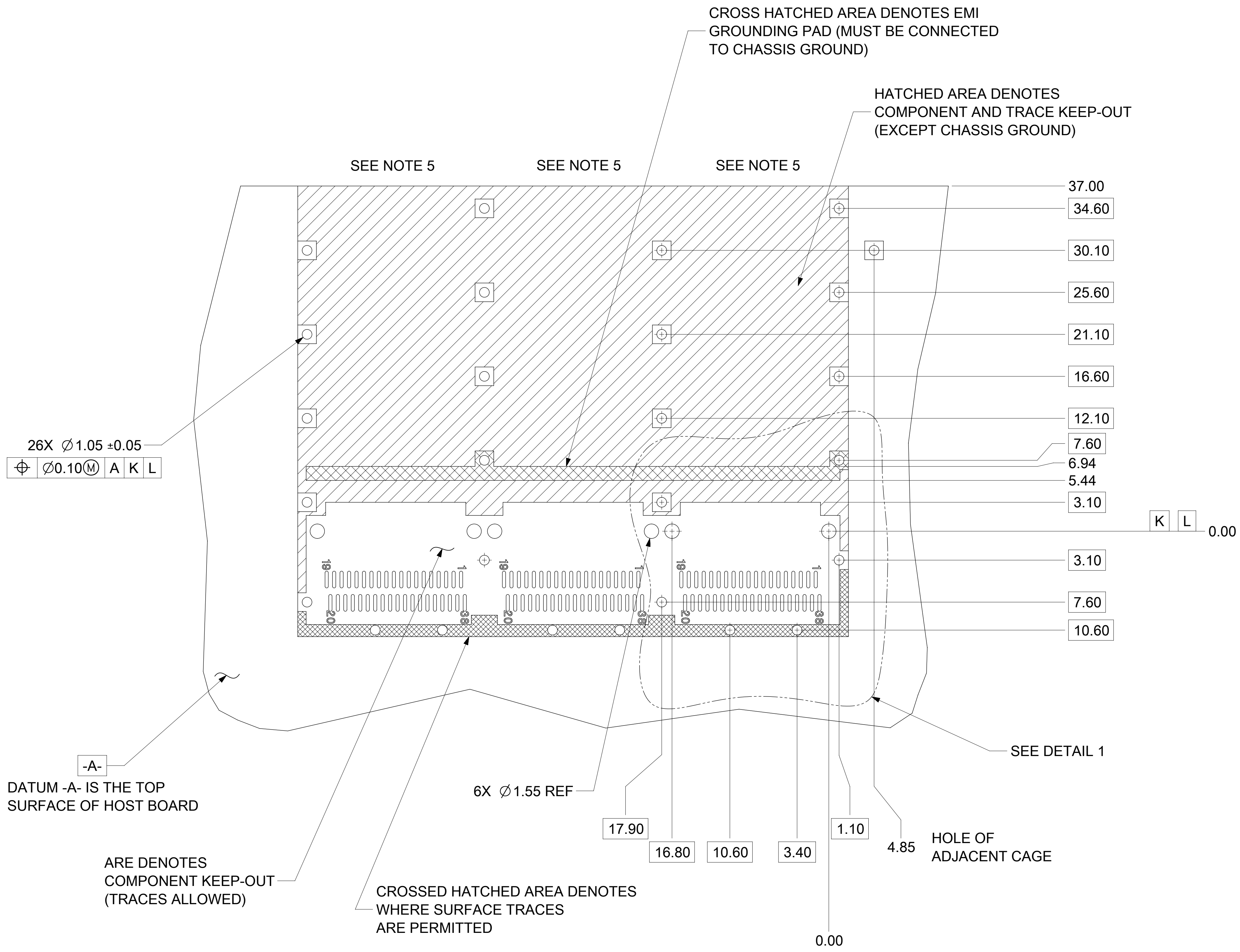
**NOTES:**

1. QSFP+ ASSEMBLES ALSO AVAILABLE AND 1X1 74750 SERIES, 1X2 (74767 SERIES), 1X4 (74769 SERIES) AND 1X6 (74771 SERIES) CONFIGURATIONS.
2. MATERIAL:  
COVER/CLIP: STAINLESS STEEL  
LIGHT PIPES: POLYCARBONATE (94-V0 RATED)  
HEAT SINKS: ALUMINUM  
CAGE: COPPER ALLOY  
GASKET MATERIAL : ELASTOMER GASKET SILICONE, COLOUR BLACK  
SPRING FINGER: STAINLESS STEEL
3. NO RoHS EXEMPTIONS
4. CUSTOM HEATSINKS AVAILABLE UPON REQUEST
5. WELD SPOTS MAY SHOW SLIGHT MATERIAL DISCOLORATION

THIS DRAWING CONTAINS INFORMATION THAT IS PROPRIETARY TO MOLEX ELECTRONIC TECHNOLOGIES, LLC AND SHOULD NOT BE USED WITHOUT WRITTEN PERMISSION									
DIMENSION UNITS	SCALE	CURRENT REV DESC: SEE REVISION TABLE							
mm	3:1	<p>QSFP+ 1X3 GANGED CAGE ASSEMBLIES W/SUS SPRING FINGER</p> <p>PRODUCT CUSTOMER DRAWING</p>							
GENERAL TOLERANCES (UNLESS SPECIFIED)									
ANGULAR TOL	± 1.0°								
4 PLACES	±								
3 PLACES	±								
2 PLACES	± 0.15	EC NO: 712623	2022/06/27	DOCUMENT NUMBER					
1 PLACE	± 0.25	DRWN: PKH	2022/06/27	747683211					
0 PLACES	±	CHK'D: DKUMARG	2022/06/29	DOC TYPE					
DRAFT WHERE APPLICABLE MUST REMAIN WITHIN DIMENSIONS		THIRD ANGLE PROJECTION		DRAWING	SERIES	MATERIAL NUMBER		CUSTOMER	
				D-SIZE	74768	SEE P/N TABLE			
								REVISION	
								PSD ASY A	
								SHEET NUMBER	
								1 OF 5	

# PCB LAYOUT FOR SINGLE SIDED MOUNTING

# HOST CONNECTOR DETAIL



- NOTES:
- PADS AND VIAS CONNECT TO CHASSIS GROUND (RECOMMEND PADS TO BE 2.00mm SQUARE)
  - RECOMMENDED THRU HOLE PLATING INCLUDES HASL, OSP, OR IMMERSION (GOLD, SILVER, OR TIN).
  - CONNECTOR PAD LAYOUT PER QSFP MSA WILL ACCOMODATE MOLEX CONNECTOR 75586-0010 OR 75586-0011.
  - SINGLE SIDE BOARD THICKNESS:  
NONIMAL: 1.60  
MINIMUM: 1.44
  - SPACING BETWEEN PORTS IS 19.00

THIS DRAWING CONTAINS INFORMATION THAT IS PROPRIETARY TO MOLEX ELECTRONIC TECHNOLOGIES, LLC AND SHOULD NOT BE USED WITHOUT WRITTEN PERMISSION											
DIMENSION UNITS	SCALE	CURRENT REV DESC: SEE REVISION TABLE									
mm	4:1	<p>QSFP+ 1X3 GANGED CAGE ASSEMBLIES W/SUS SPRING FINGER</p> <p>PRODUCT CUSTOMER DRAWING</p>									
GENERAL TOLERANCES (UNLESS SPECIFIED)											
ANGULAR TOL	± 1.0°										
4 PLACES	±										
3 PLACES	±										
2 PLACES	± 0.15										
1 PLACE	± 0.25	EC NO: 712623	DRWN: PKH		2022/06/27		DOC TYPE		DOC PART	REVISION	
0 PLACES	±	DRWN: PKH	2022/06/27		2022/07/07		747683211		PSD	ASY	A
DRAFT WHERE APPLICABLE MUST REMAIN WITHIN DIMENSIONS		THIRD ANGLE PROJECTION	DRAWING	SERIES	MATERIAL NUMBER	CUSTOMER	SEE P/N TABLE				
			D-SIZE	74768			SHEET NUMBER				
							2 OF 5				

DOCUMENT STATUS	P1	RELEASE DATE	2022/07/07	13:29:41
-----------------	----	--------------	------------	----------

# PCB LAYOUT FOR BELLY TO BELLY MOUNTING

CROSS HATCHED AREA DENOTES EMI  
GROUNDING PAD (MUST BE CONNECTED  
TO CHASSIS GROUND)

HATCHED AREA DENOTES  
COMPONENT AND TRACE KEEP-OUT  
(EXCEPT CHASSIS GROUND)

SEE NOTE 5

SEE NOTE 5

SEE NOTE 5

37.0 MAX.

34.60

30.10

25.60

21.10

16.60

12.10

7.60

6.94

5.44

3.10

K

L

0.00

3.10

7.60

10.60

17.90

16.80

13.40

10.60

6.20

3.40

1.10

4.85

0.00

HOLE OF  
ADJACENT CAGE

6X Ø 1.55 REF.

CROSSED HATCHED AREA DENOTES  
WHERE SURFACE TRACES  
ARE PERMITTED

ARE DENOTES  
COMPONENT KEEP-OUT  
(TRACES ALLOWED)

-A-  
DATUM -A- IS THE TOP  
SURFACE OF HOST BOARD

NOTE:  
SEE PREVIOUS SHEET FOR  
HOST CONNECTOR AND  
LED LOCATION DETAILS

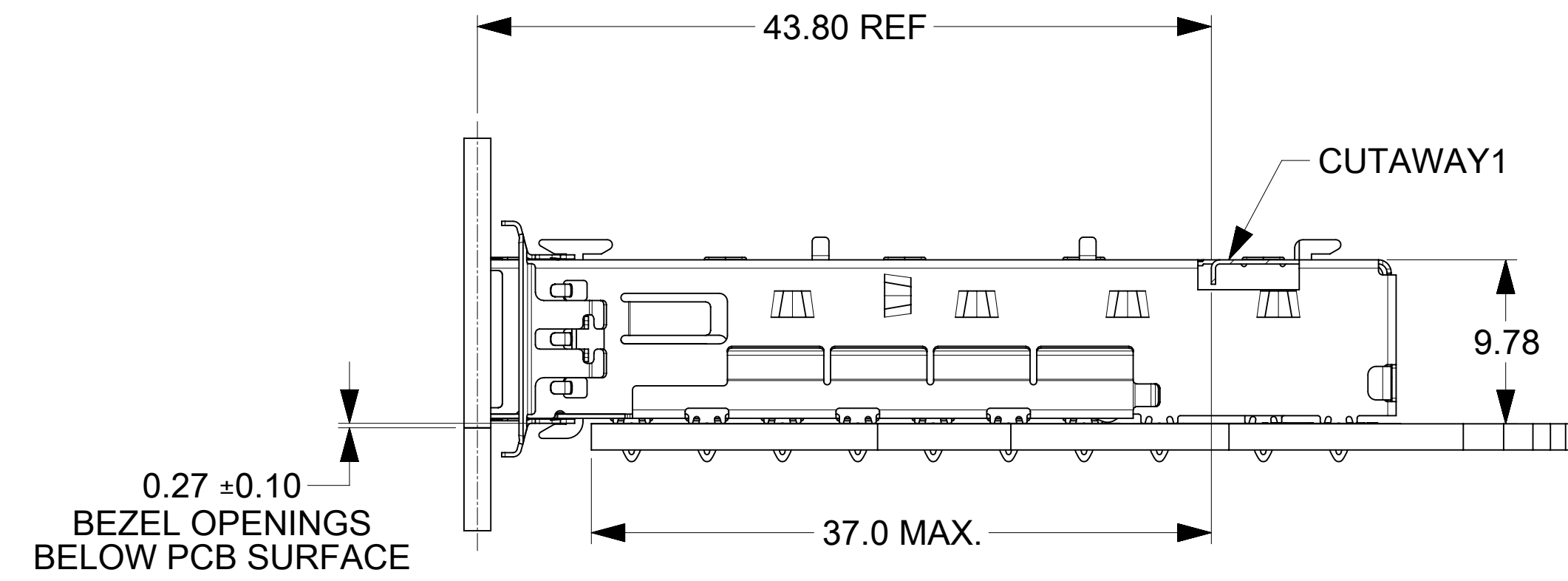
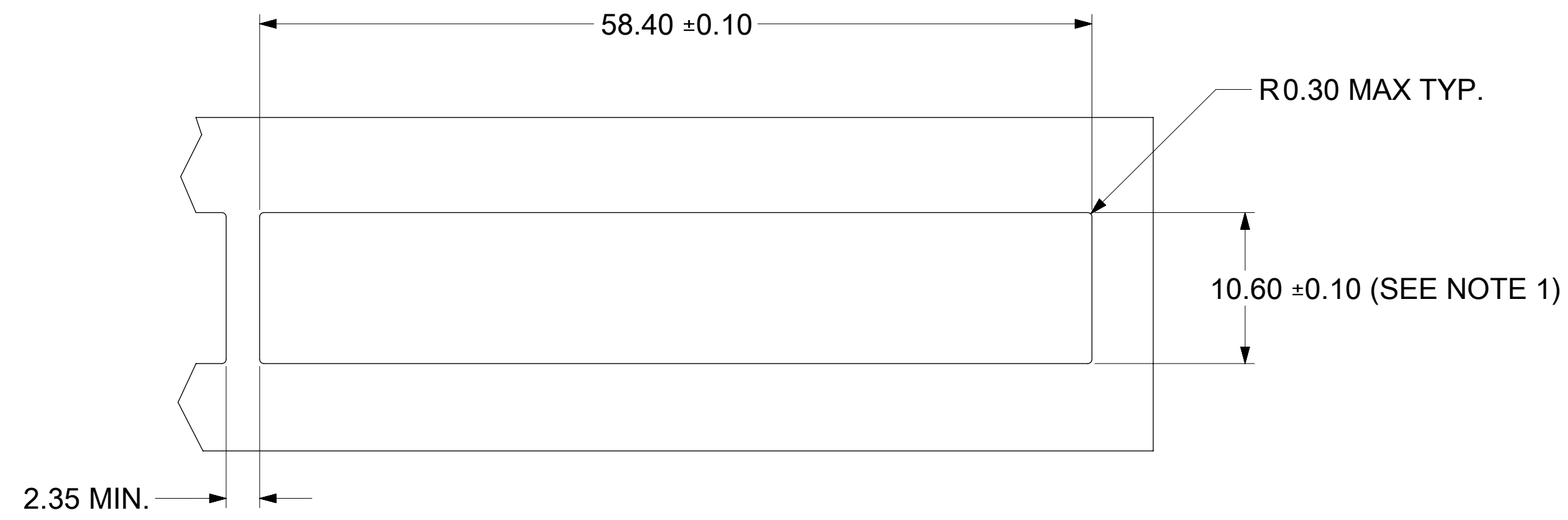
52X Ø 1.05 ±0.05  
Ø 0.10 M A K L

- NOTES:
- PADS AND VIAS CONNECT TO CHASSIS GROUND (RECOMMEND PADS TO BE 2.00mm SQUARE)
  - RECOMMENDED THRU HOLE PLATING INCLUDES HASL, OSP, OR IMMERSION (GOLD, SILVER, OR TIN).
  - CONNECTOR PAD LAYOUT PER QSFP MSA WILL ACCOMODATE MOLEX CONNECTOR 75586-0010 OR 75586-0011.
  - BELLY TO BELLY BOARD THICKNESS:  
NONIMAL: 2.90  
MINIMUM: 2.48
  - SPACING BETWEEN PORTS IS 19.00

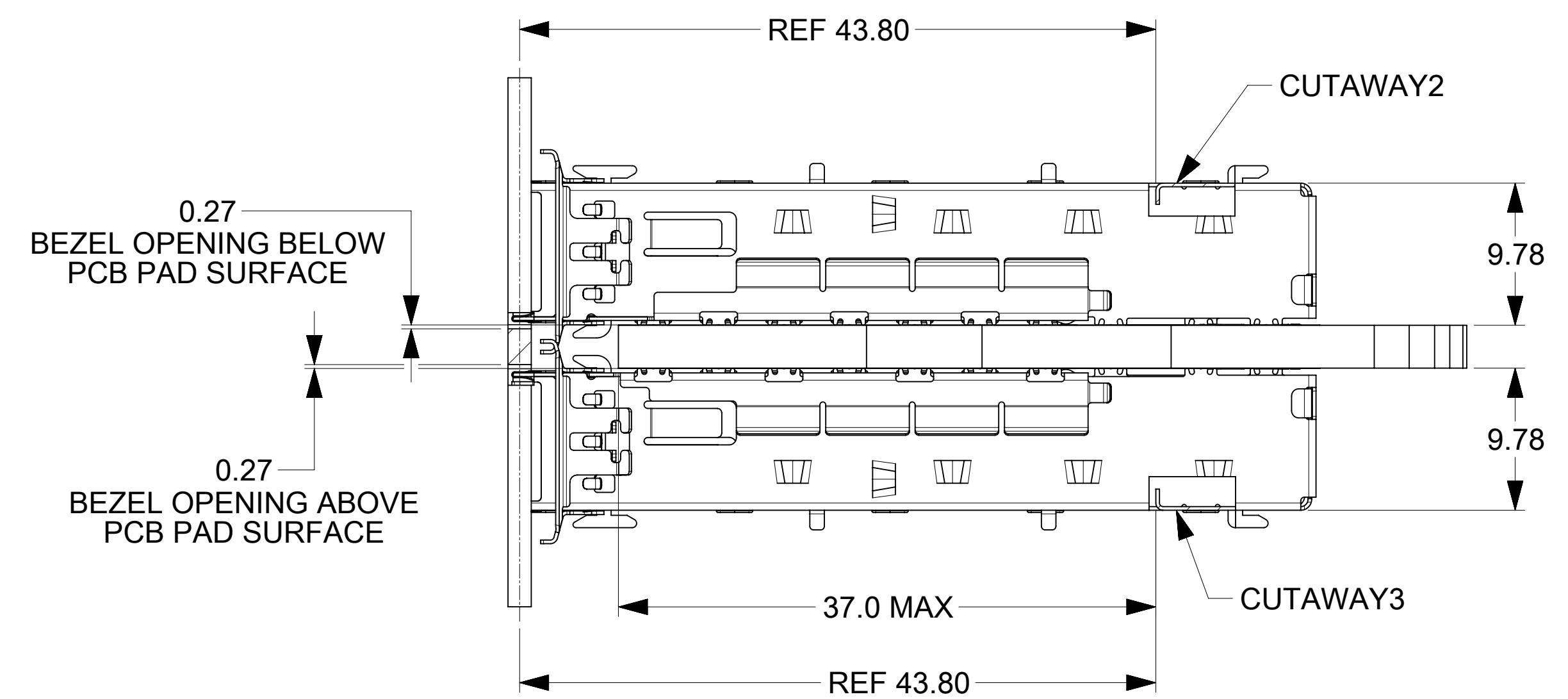
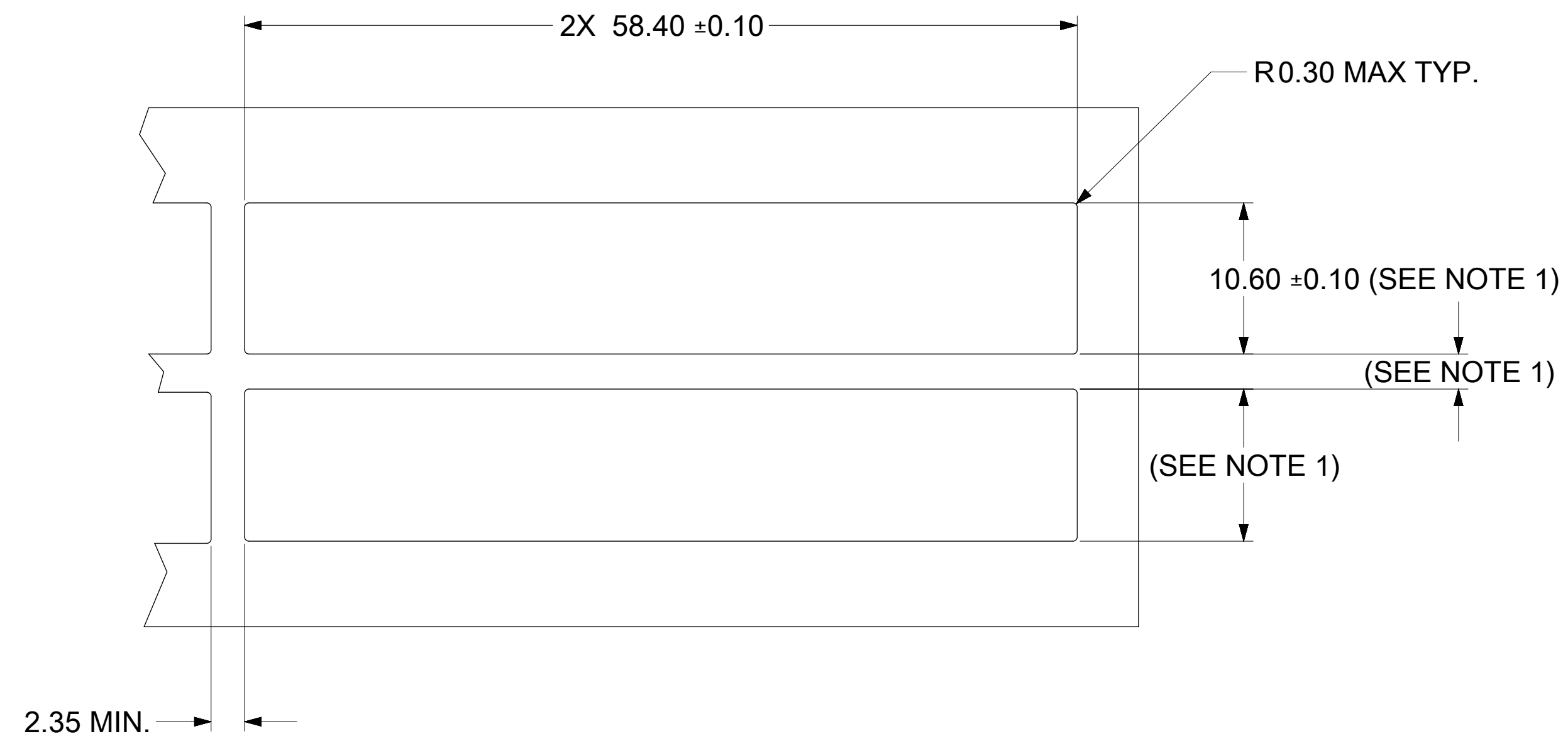
THIS DRAWING CONTAINS INFORMATION THAT IS PROPRIETARY TO MOLEX ELECTRONIC TECHNOLOGIES, LLC AND SHOULD NOT BE USED WITHOUT WRITTEN PERMISSION

DIMENSION UNITS	SCALE	CURRENT REV DESC: SEE REVISION TABLE		<b>molex</b>			
mm	4:1						
GENERAL TOLERANCES (UNLESS SPECIFIED)		EC NO: 712623		QSFP+ 1X3 GANGED CAGE ASSEMBLIES W/SUS SPRING FINGER			
ANGULAR TOL	± 1.0°	DRWN: PKH 2022/06/27		PRODUCT CUSTOMER DRAWING			
4 PLACES	±	CHK'D: DKUMARG 2022/06/29		DOCUMENT NUMBER			
3 PLACES	±	APPR: SCHIEN 2022/07/07		747683211			
2 PLACES	± 0.15	INITIAL REVISION:		DOC TYPE		DOC PART	
1 PLACE	± 0.25	DRWN: PKH 2022/06/27		PSD		REVISION	
0 PLACES	±	APPR: SCHIEN 2022/07/07		ASY		A	
DRAFT WHERE APPLICABLE MUST REMAIN WITHIN DIMENSIONS		THIRD ANGLE PROJECTION	DRAWING	SERIES	MATERIAL NUMBER	CUSTOMER	SHEET NUMBER
			D-SIZE	74768	SEE P/N TABLE		3 OF 5

## BEZEL AND BOARD POSITION DIMENSIONS FOR SINGLE SIDE MOUNTING



## BOARD AND BEZEL POSITION DIMENSIONS FOR BELLY TO BELLY MOUNTING



THIS DRAWING CONTAINS INFORMATION THAT IS PROPRIETARY TO MOLEX ELECTRONIC TECHNOLOGIES, LLC AND SHOULD NOT BE USED WITHOUT WRITTEN PERMISSION									
DIMENSION UNITS		SCALE		CURRENT REV DESC: SEE REVISION TABLE					
mm		3:1							
GENERAL TOLERANCES (UNLESS SPECIFIED)									
ANGULAR TOL ± 1.0°									
4 PLACES ±									
3 PLACES ±									
2 PLACES ± 0.15									
1 PLACE ± 0.25									
0 PLACES ±									
DRAFT WHERE APPLICABLE MUST REMAIN WITHIN DIMENSIONS				THIRD ANGLE PROJECTION		DRAWING		SERIES	
				D-SIZE		74768			
EC NO: 712623				DRWN: PKH		2022/06/27			
CHK'D: DKUMARG				2022/06/29					
APPR: SCHIEN				2022/07/07					
INITIAL REVISION:				DRWN: PKH		2022/06/27			
				APPR: SCHIEN		2022/07/07			
DOCUMENT NUMBER				DOC TYPE		DOC PART		REVISION	
747683211				PSD		ASY		A	
MATERIAL NUMBER				CUSTOMER		SHEET NUMBER			
SEE P/N TABLE						4 OF 5			

NOTES:  
1. PCB THICKNESS VARIATION MUST BE CONSIDERED WHEN DETERMINING BEZEL OPENING, SIZE AND LOCATION.

DATE	REV	DESCRIPTION
2022/06/27	A	INITIAL RELEASE

THIS DRAWING CONTAINS INFORMATION THAT IS PROPRIETARY TO MOLEX ELECTRONIC TECHNOLOGIES, LLC AND SHOULD NOT BE USED WITHOUT WRITTEN PERMISSION									
DIMENSION UNITS	SCALE	CURRENT REV DESC: SEE REVISION TABLE				<b>molex</b>			
mm	1:1								
GENERAL TOLERANCES (UNLESS SPECIFIED)									
ANGULAR TOL	± 1.0°								
4 PLACES	±								
3 PLACES	±								
2 PLACES	± 0.15								
1 PLACE	± 0.25								
0 PLACES	±								
DRAFT WHERE APPLICABLE MUST REMAIN WITHIN DIMENSIONS		THIRD ANGLE PROJECTION	DRAWING	SERIES	MATERIAL NUMBER	CUSTOMER	SHEET NUMBER		
				<b>74768</b>	<b>74768</b>	<b>747683211</b>	<b>PSD</b>	<b>ASY</b>	<b>A</b>
				<b>D-SIZE</b>	<b>SEE P/N TABLE</b>	<b>5 OF 5</b>			

DOCUMENT STATUS	P1	RELEASE DATE	2022/07/07	13:29:41
-----------------	----	--------------	------------	----------