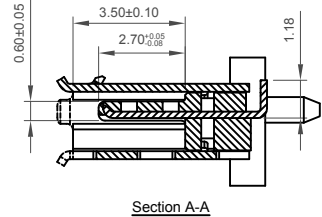
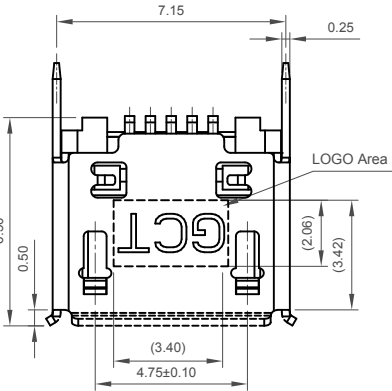
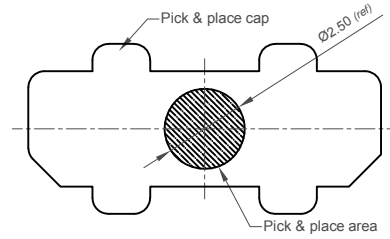


PCB Mount & Cap Information



Specifications

Material

Plastic Housing: LCP, UL94V-0, Black
 Contact Terminal: Copper Alloy
 Metallic Shell: Stainless Steel T=0.25mm.

Plating

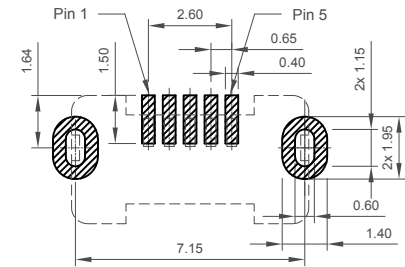
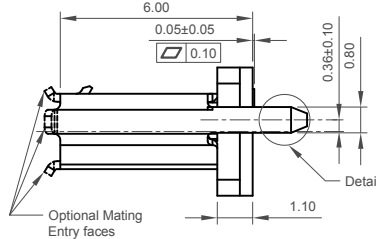
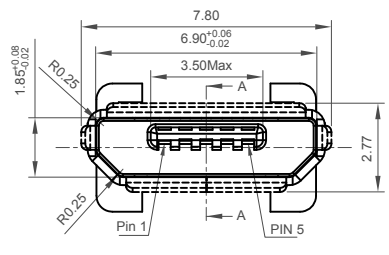
Contact Terminal:
 Contact Area: 30µ" Gold
 Solder Tails: Gold Flash
 Underplating: 50µ" Nickel
 Metallic Shell: Matte Tin over 50µ" Nickel

Electrical

Voltage Rating: 30 V AC
 Current Rating: Signal (Pins 2,3,4): 1.0 A.
 Power (Pins 1,5): 1.8A.
 Operating Temperature: -25°C to +85°C.
 Contact Resistance: 30mΩ max.
 Insulating Resistance: 1000MΩ min.
 Dielectric Withstand Voltage: 500V AC/minute

Mechanical & Environmental

Mating Force: 35N max.
 Unmating Force: Initial 10N min
 Final 8N min after durability test
 Durability: 10,000 Cycles



Recommended PCB Layout
 As viewed from component side General tolerance: ±0.05
 ☒ Solder Area ☐ Component Outline

Ordering Grid



Contact Plating
 30 = 30µ" Gold

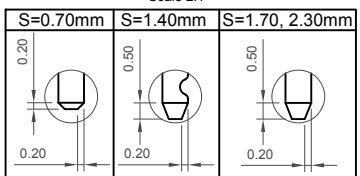
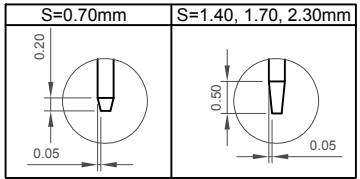
Packing Options
 C = Tape & Reel with Cap
 (500 per reel)

Shell Stake Length "S"

0070 = 0.70mm
 0140 = 1.40mm
 0170 = 1.70mm
 0230 = 2.30mm

Mating Entry Face

1 = With Mating Entry Face (Standard)
 0 = Without Mating Entry Face



Designed to comply with physical, electrical and environmental requirements of Micro USB Standard (USB2.0)

Part Number		Product Description	
USB3140		Micro USB Receptacle, Type B, Surface Mount, Vertical, with Through-Hole Shell Stakes	
Drawing Date		2nd April 2013	
By	CC	Tolerances (Except as Noted)	Units:
Detail	USB3140 E PCN	Length X ±0.50	Metric (mm)
Revision	E3	Angle X.X ± 0.30	RoHS COMPLIANT 2011/65/EU
Date	04/05/21	X.XX ± 0.20	Deca-SIDE
		X.XXX ± 0.10	3rd Angle Projection

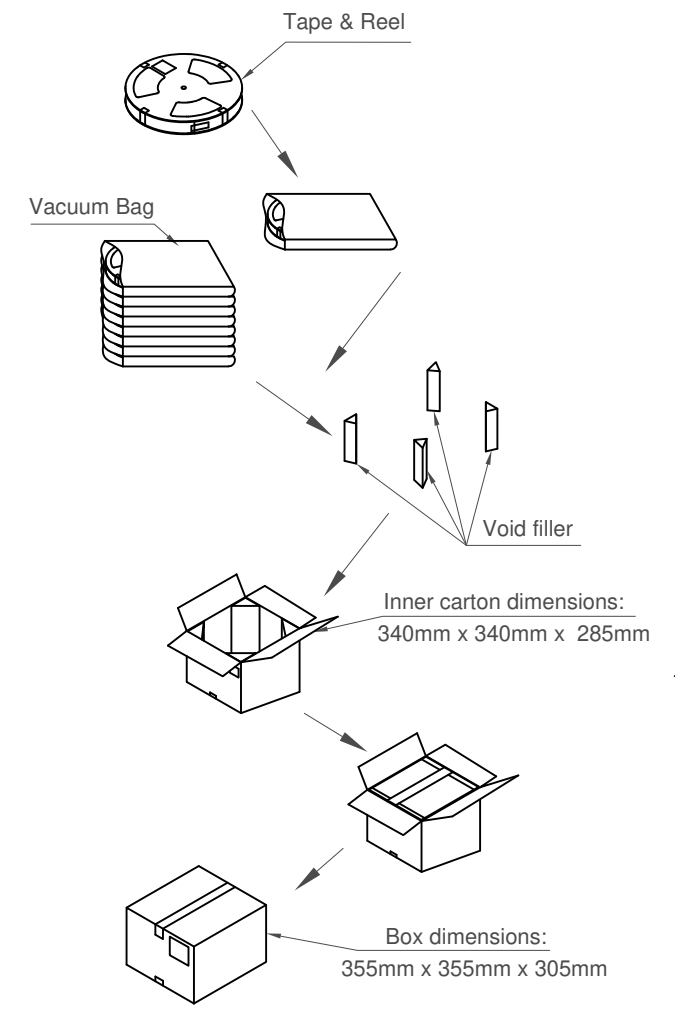
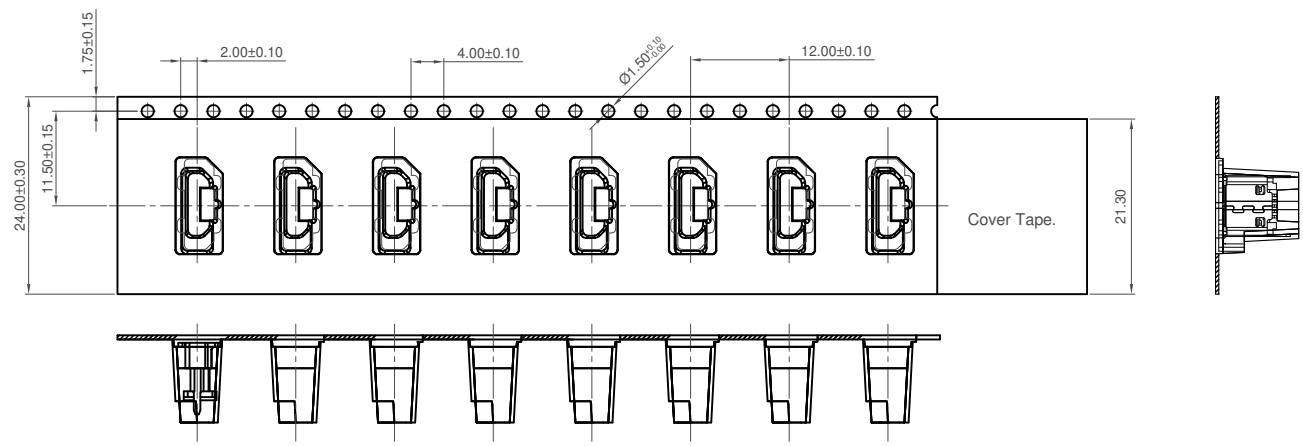
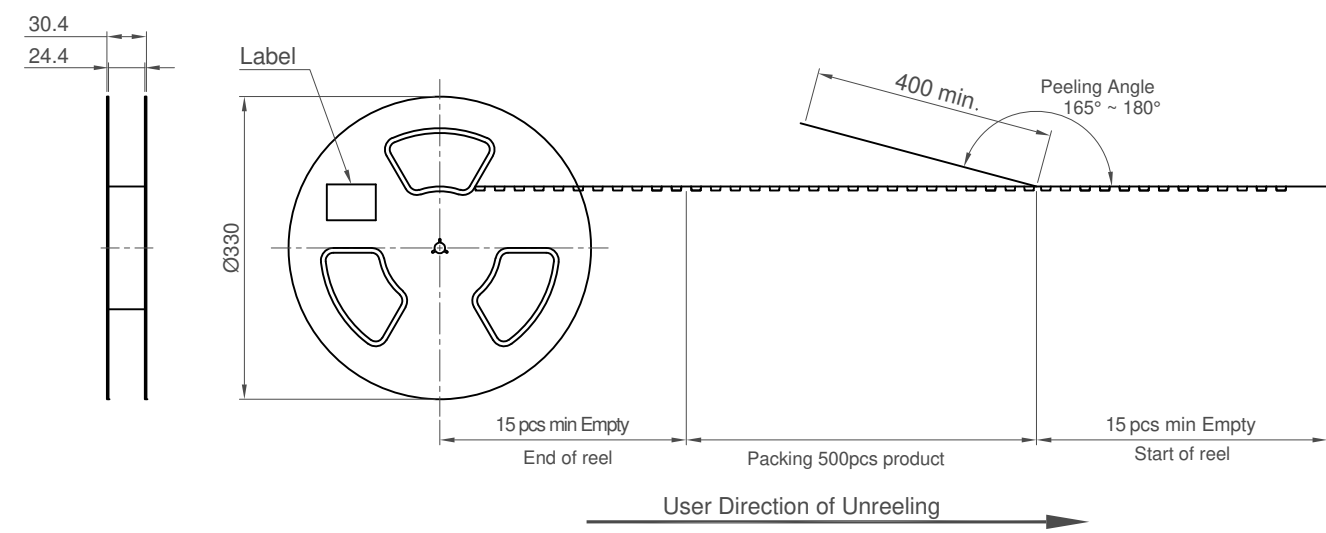
Part Number		Product Description	
USB3140		Micro USB Receptacle, Type B, Surface Mount, Vertical, with Through-Hole Shell Stakes	
Drawing Date		2nd April 2013	
By	CC	Tolerances (Except as Noted)	Units:
Detail	USB3140 E PCN	Length X ±0.50	Metric (mm)
Revision	E3	Angle X.X ± 0.30	RoHS COMPLIANT 2011/65/EU
Date	04/05/21	X.XX ± 0.20	Deca-SIDE
		X.XXX ± 0.10	3rd Angle Projection



This drawing is confidential and copyright of Global Connector Technology, Ltd (GCT). This drawing must not be copied or disclosed without written consent. E & OE

Not to Scale	Drawn By AJO	Sheet No. 1/2
--------------	--------------	---------------

H
G
F
E
D
C
B
A



Notes:
Peeling off force of top tape: 0.1-1.3N (Peeling direction as shown)

Materials:
Carrier Tape: Polystyrene (PS)
Top Tape: PE
Reel Tape: Polystyrene (PS)

Pcs / Reel	Reels / Carton	Total Quantity
500	9	4500 pcs

Part Number		Product Description	
USB3140		Micro USB Receptacle, Type B, Surface Mount, Vertical, with Through-Hole Shell Stakes	
Drawing Date		2nd April 2013	
By	CC	Tolerances (Except as Noted)	Units:
Detail	USB3140 E PCN	Length X.±0.20 X.X ± 0.15 X.XX ± 0.10 X.XXX ± 0.05	Metric (mm)
Revision	E3	Angle X.X° ± 2°	3rd Angle Projection
Date	04/05/21		



This drawing is confidential and copyright of Global Connector Technology, Ltd (GCT). This drawing must not be copied or disclosed without written consent. E & OE



Not to Scale	Drawn By AJO	Sheet No. 2/2
--------------	--------------	---------------

1 2 3 4 5 6 7 8