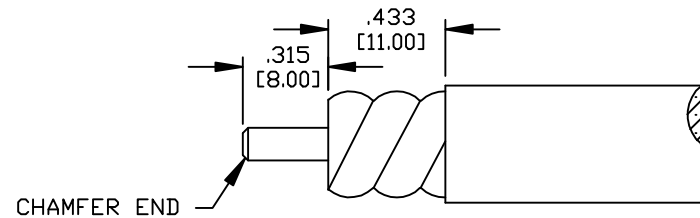
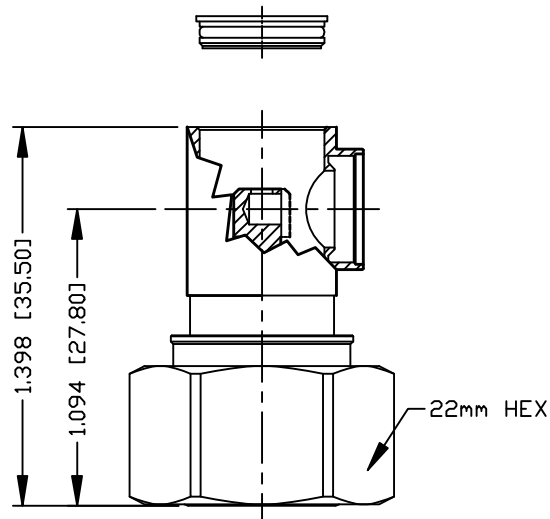


PART NO.

RFD-43MRA-H8

REV	DESCRIPTION	DWN	DATE	APPROVED
A	UPDATED SPECS	DM	10/22/20	JDM

**RECOMMENDED STRIPING DIMENSIONS**

ATTACH CABLE TO CONNECTOR BY
SOLDERING THE CABLE INNER CONDUCTOR
TO THE PIN SLOT INSIDE THE CONNECTOR

SPECIFICATIONS:

INTERFACE: IEC61169-54
 IMPEDANCE: 50 Ohms
 FREQUENCY RANGE: 0-6 GHz
 RETURN LOSS: 28 dB, DC-700 MHz
 RETURN LOSS: 24 dB, 700-3500 MHz
 RETURN LOSS: 21 dB, 3500-6000 MHz
 INSERTION LOSS: -0.1 dB MAX
 3rd ORDER IM: <-161 dBc
 3rd ORDER IM TEST METHOD 2x43 dBm CARRIERS
 VOLTAGE RATING: 500V RMS MAX
 DIELECTRIC WITHSTANDING VOLTAGE: 2500 VRMS MAX
 INSULATION RESISTANCE: 5000 MΩ MIN
 MATING CYCLES: >100
 COUPLING TORQUE: 5 Nm
 TEMPERATURE RANGE: -55° TO 90° C
 ENVIRONMENTAL: IP68 MATED
 COMPLIANCE: RoHS
 NET WEIGHT: 0.1 lb
 FOR FSJ2-50, LCF38-50J, LDF2-50, SCF38-50J, SPF-375,
 SPO-375 & SPP-375 CABLE

#	DESCRIPTION	QTY	MATERIAL	FINISH
6	COUPLING NUT	1	BRASS	CuSnZn Alloy
5	PRESS CAP	1	BRASS	CuSnZn Alloy
4	GASKET	1	SILICONE	RED
3	PIN	1	BRASS	SILVER
2	INSULATOR	1	PTFE	NATURAL
1	BODY	1	BRASS	CuSnZn Alloy

CUSTOMER
OUTLINE DRAWINGALL DIMENSIONS
ARE REFERENCE ONLYUNLESS OTHERWISE SPECIFIED:
DIMENSIONS ARE IN INCHES
AND [MILLIMETERS]

DRAWN	DM	10/22/20
CHECKED		
ORJ DRAWN	C. ZUÑIGA	05/20/20

PROPRIETARY AND CONFIDENTIAL
 THIS DRAWING CONTAINS
 INFORMATION PROPRIETARY TO
 RF INDUSTRIES. ANY
 UNAUTHORIZED USE OF THIS
 DRAWING IS EXPRESSLY
 PROHIBITED WITHOUT WRITTEN
 PERMISSION FROM RF
 INDUSTRIES. ANY VIOLATION IS
 PUNISHABLE UNDER U.S.
 COPYRIGHT LAWS.

RFconnectors
 DIVISION OF RF INDUSTRIES, LTD.

RFINDUSTRIES.COM
 7610 MIRAMAR RD.
 SAN DIEGO, CA 92126
 (858) 549-6340
 (858) 549-6345 FAX

**4.3/10 MALE RIGHT ANGLE
 SOLDER, FOR 3/8" SUPERFLEX**

CABLE GROUP	DWG #	REVISION
H8	RFD-43MRA-H8	A
FORMAT	SCALE	CONTROL #
A	NTS	000000
		SHEET 1 OF 1