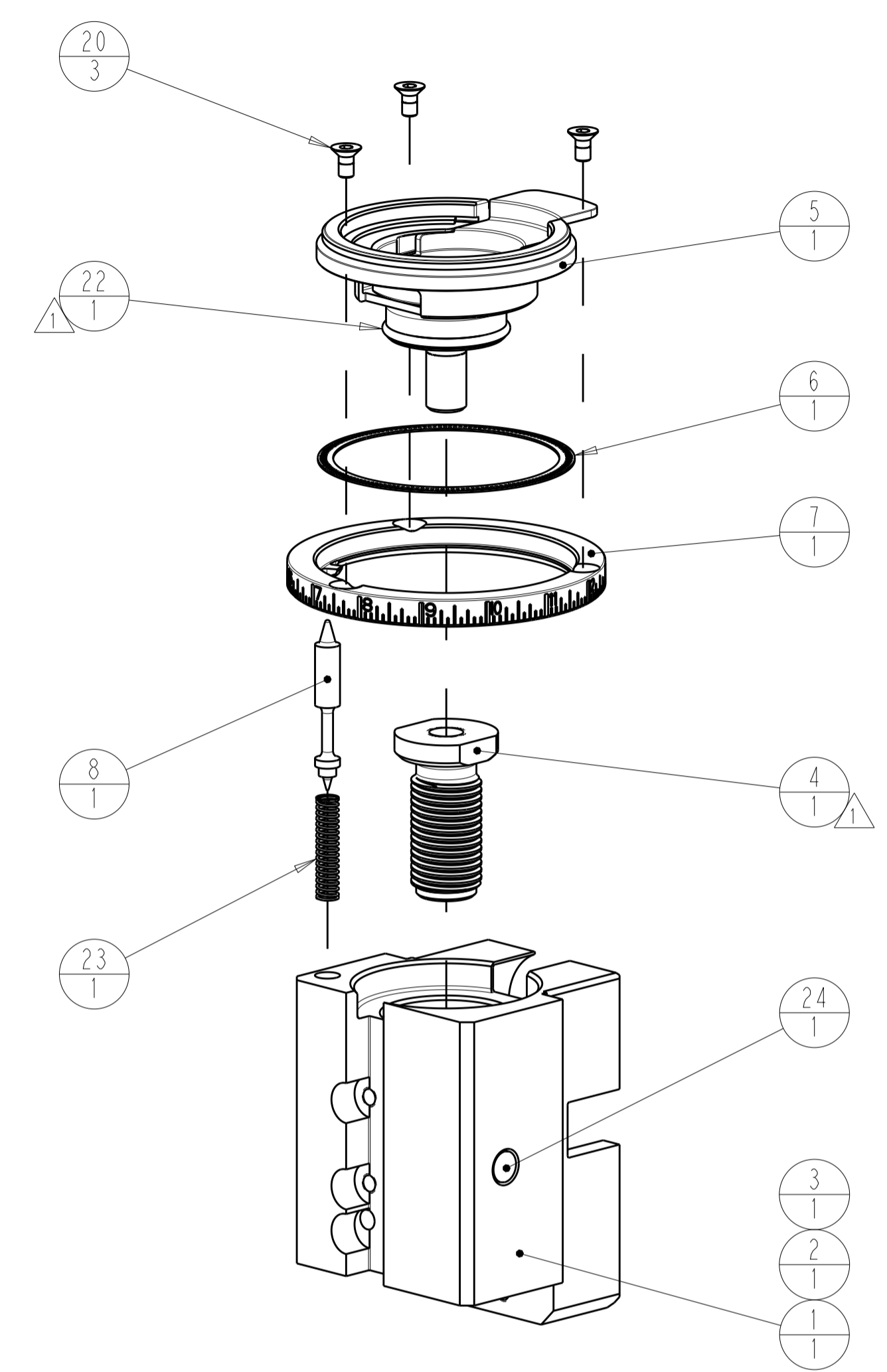
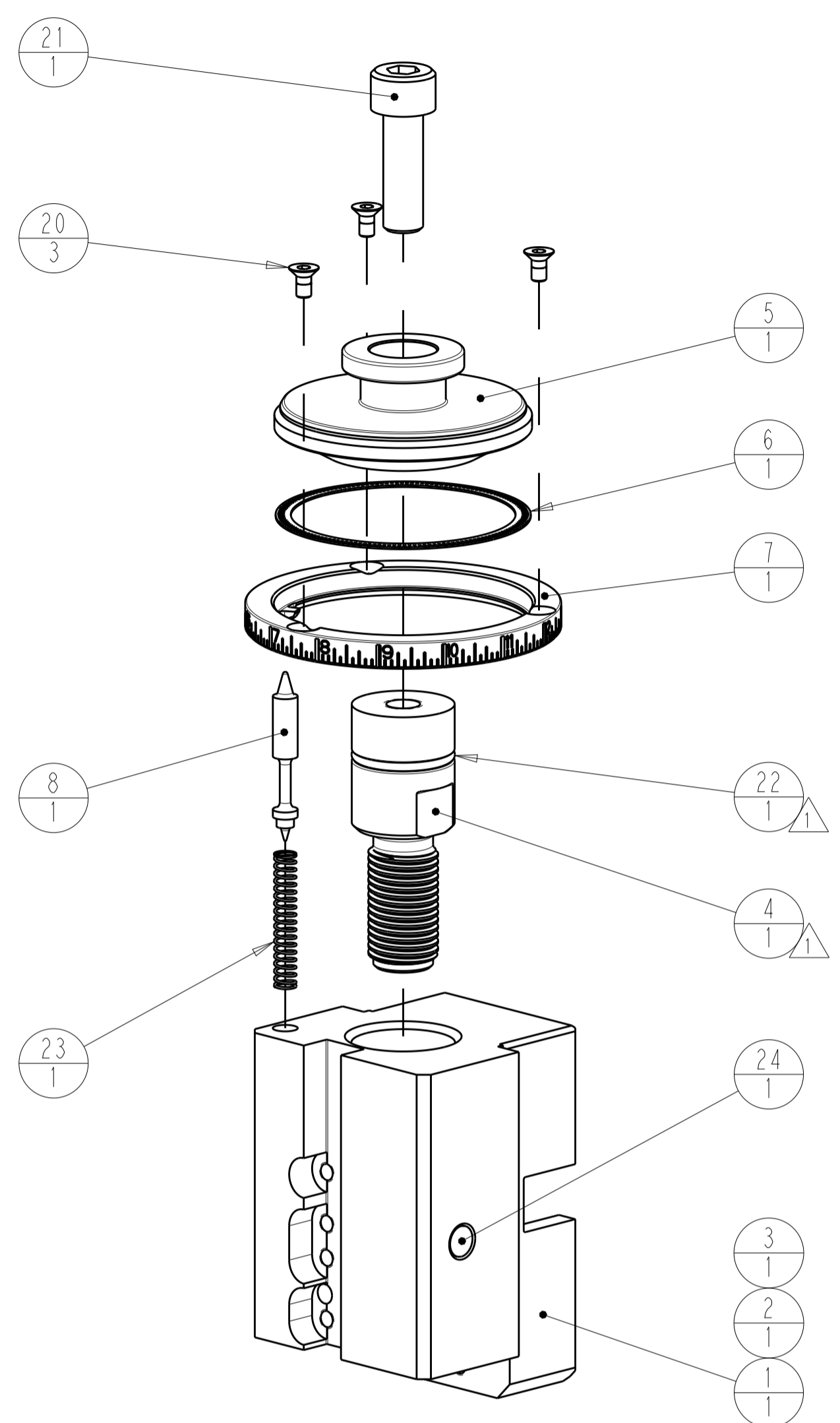


REVISIONS				
P.	LTN	DESCRIPTION	DATE	APVD
A		ORIGINAL	26OCT2017	D.JG JS

△ GREASE THREADS, GROOVE AND O-RING ON ADJUSTMENT BOLT.



AR	AR	AR	--	PART NO	DESCRIPTION	ITEM NO
1	1	1	-	1-23419-5	SEALANT, LOCTITE #222	50
1	1	1	-	994969-1	MAGNET, RARE EARTH, HIGH ENERGY	24
1	1	1	-	2-22279-6	SPRING, COMPRESSION	23
1	1	1	-	8-21084-0	O-RING, .676 ID, .070 DIA. MAT.	22
1	1	1	-	7-1655316-0	SCR, SKT HD CAP, M8 X 25.0	21
3	3	3	-	1-1655784-6	SCR, FLT SKT HD CAP, M3 X 6	20
1	1	1	-	2844970-1	DETENT PIN	8
1	1	1	-	2844968-1	DISC, NUMBERED FA WIRE ADJUSTMENT	7
1	1	1	-	2844969-1	DETENT PLATE	6
1	1	1	-	2844967-1	FA HEAD, ATLANTIC STYLE	5
1	1	1	-	2844971-1	BOLT, ADJUSTMENT	4
1	-	-	-	2844273-1	RAM, AMP STYLE, END FEED	3
-	1	-	-	2161310-1	RAM, STEPPED, AMP STYLE, END FEED	2
-	-	1	-	1803536-1	RAM, ATLANTIC STYLE, END FEED	1

REF: 1803517 (RAM ASSEMBLY, EF ATLANTIC)

AR	AR	AR	--	PART NO	DESCRIPTION	ITEM NO
1	1	1	-	1-23419-5	SEALANT, LOCTITE #222	50
1	1	1	-	994969-1	MAGNET, RARE EARTH, HIGH ENERGY	24
1	1	1	-	2-22279-6	SPRING, COMPRESSION	23
1	1	1	-	8-21084-1	O-RING, .801 ID, .070 DIA. MAT.	22
3	3	3	-	1-1655784-6	SCR, FLT SKT HD CAP, M3 X 6	20
1	1	1	-	2844970-1	DETENT PIN	8
1	1	1	-	2844968-1	DISC, NUMBERED FA WIRE ADJUSTMENT	7
1	1	1	-	2844969-1	DETENT PLATE	6
1	1	1	-	2844980-1	FINE ADJUST HEAD ASM, PACIFIC STYLE	5
1	1	1	-	2844971-2	BOLT, ADJUSTMENT	4
1	-	-	-	1803543-1	RAM, PACIFIC STYLE, END FEED (AMPLIVAR)	3
-	1	-	-	1803542-1	STEPPED RAM, PACIFIC STYLE, END FEED	2
-	-	1	-	1803541-1	RAM, PACIFIC STYLE, END FEED	1

REF: 1803518 (RAM ASSEMBLY, EF PACIFIC)

THIS DRAWING IS A CONTROLLED DOCUMENT. DWG: D.J.GOOD 26-Oct-17  
 CHG: J.STACHURA 26-Oct-17  
 APVD: J.STACHURA 26-Oct-17

**STE** TE Connectivity

NAME: RAM ASSEMBLY, END FEED

SIZE: A1 CAGE CODE: 1803595 DRAWING NO: 1803595

SCALE: 1:5 SHEET: 1 OF 1 REV: A