

Flat suction pad (round)

SUF 1 SI-CO-55 M3-AG

Part no...:10.01.01.14214

<https://www.schmalz.com/10.01.01.14214>

Home > Vacuum Technology for Automation > Vacuum Components > Vacuum Suction Cups > Flat Suction Cups (Round) > Flat Suction Cups SUF > SUF 1 SI-CO-55 M3-AG

Flat suction cup (round) for process safe handling of smooth or slightly rough surfaces



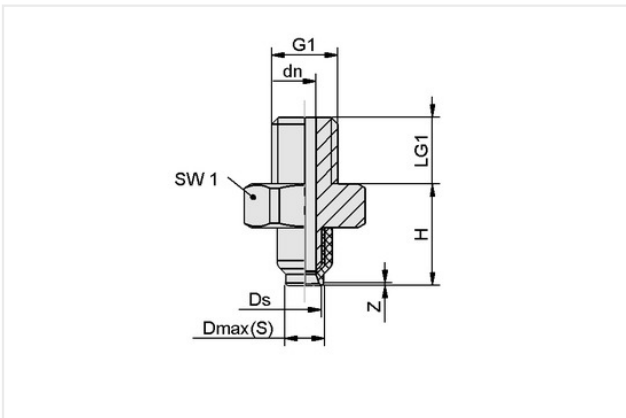
Size: 1

Suction cup material: Silicone SI-conductive

Material hardness [Shore A]: 55 Shore A

Vacuum connection: M3-M

Design Data



Attribute	Value
Dmax(S)	1.10 mm
Ds	1 mm
dn	1 mm
G1	M3-M
H	4.60 mm
LG1	3 mm
SW1	5 mm
Z (Stroke)	0.10 mm

Technical Data

Attribute	Value
Suction force (-600mbar)	0.03 N
Pull-off force	0.03 N
Volume	0 cm ³
Curve radius (min) (convex)	2 mm
Hose diameter (empf.) d	2 mm
Size	1
Suction cup material	Silicone SI-conductive
Material hardness [Shore A]	55 Shore A

Contact Schmalz

Schmalz Inc. | 5850 Oak Forest Drive, Raleigh, NC 27616, United States | +1 (919) 713-0880 | schmalz.us@schmalz.com

Flat suction pad (round)

SUF 1 SI-CO-55 M3-AG

Part no...:10.01.01.14214

<https://www.schmalz.com/10.01.01.14214>

Weight	0.20 g
Product family	SUF
Number of folds	0

Note: Suction force: The specified suction forces are theoretical values at a vacuum of -0.6 bar and with a dry, smooth and flat workpiece surface - they do not include a safety factor
Hose diameter: The recommended hose diameter refers to a hose length of approx. 2 m

Spare parts



SC 010 M3-AG

Part no...:10.01.06.04249

Connection geometry: 010

Vacuum connection: M3-M

Fitting length: 2 mm

Nominal diameter dn: 1 mm



SUF 1 SI-CO-55 SC010

Part no...:10.01.01.14015

Size: 1

Material hardness [Shore A]: 55 Shore A