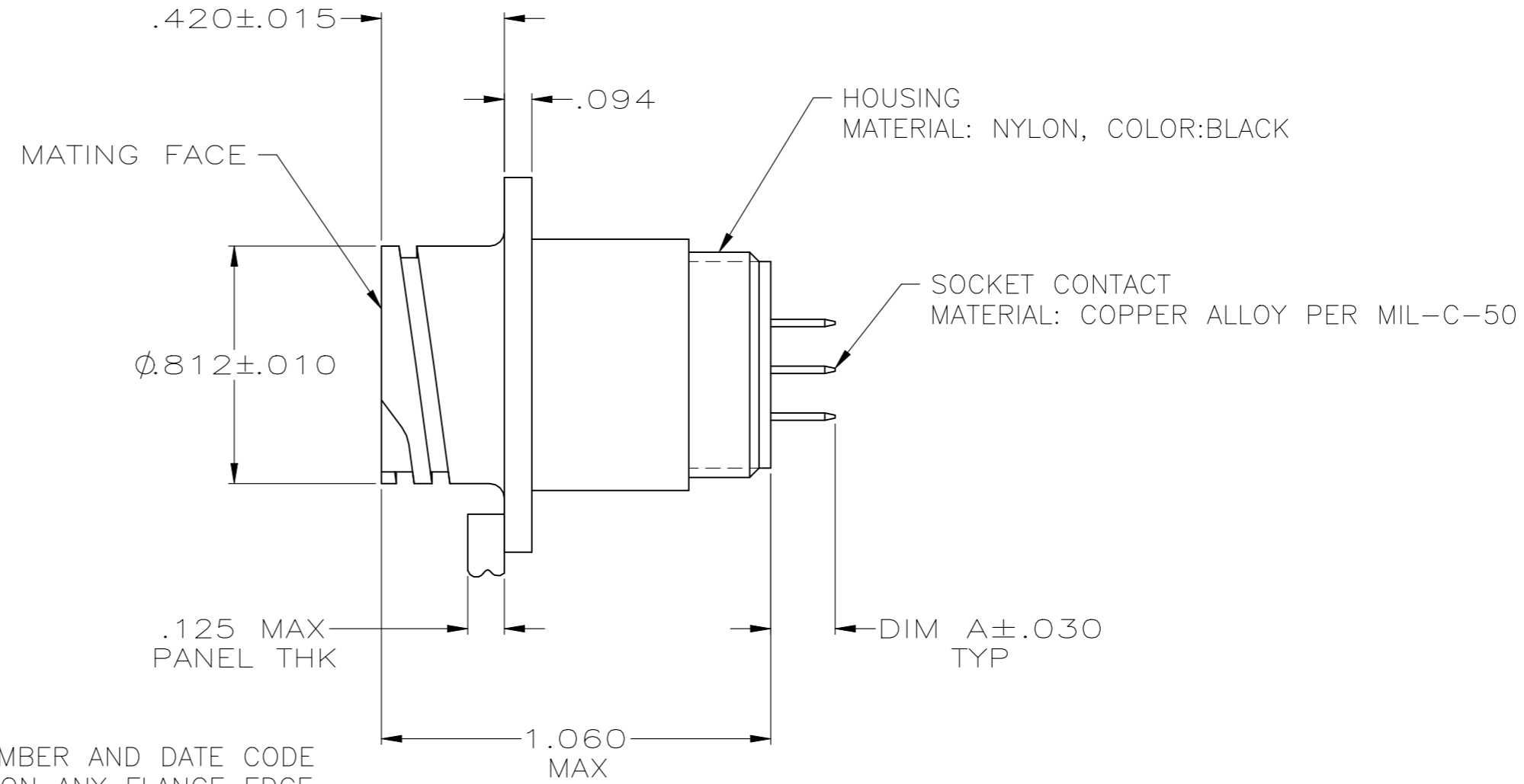
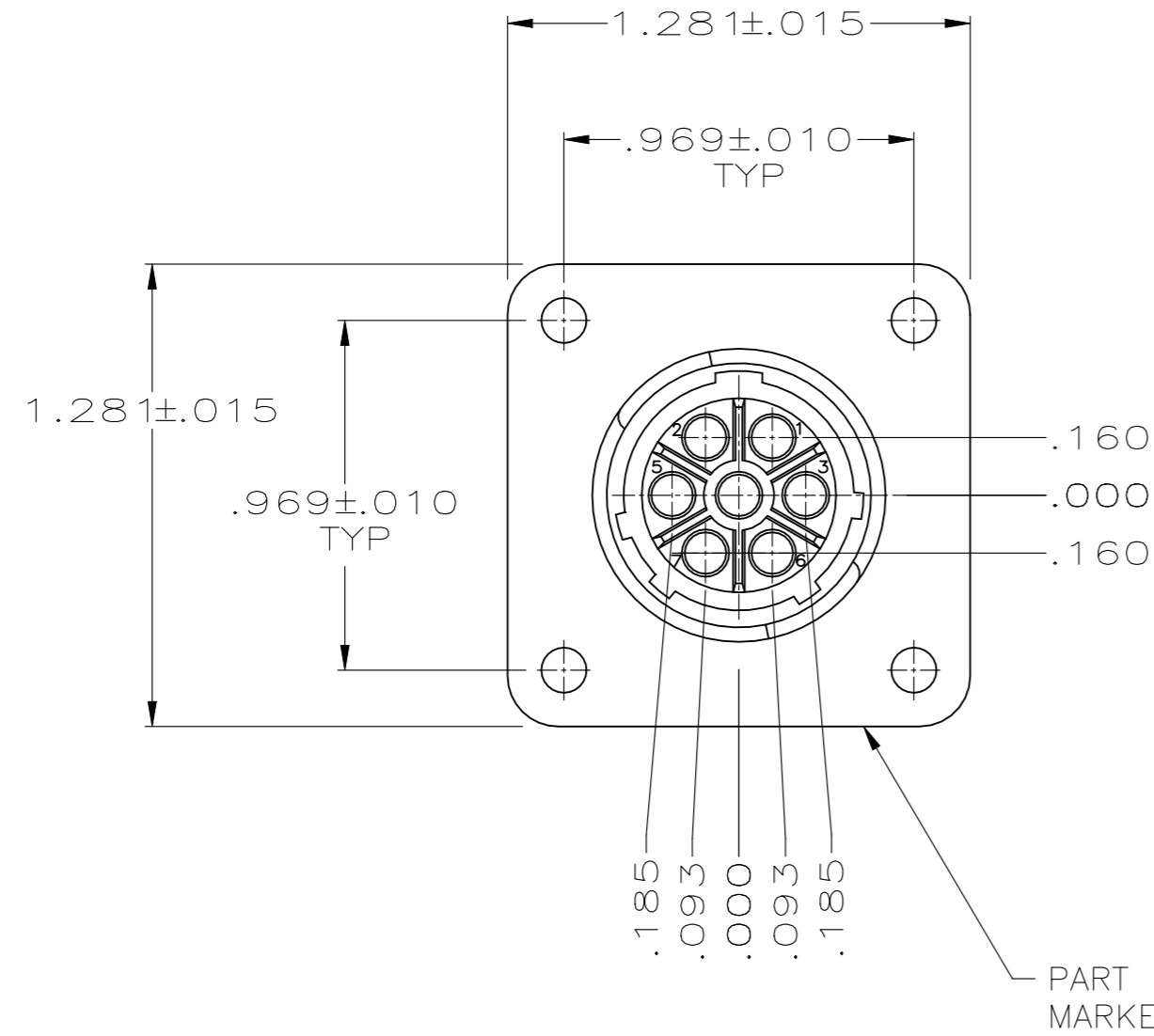


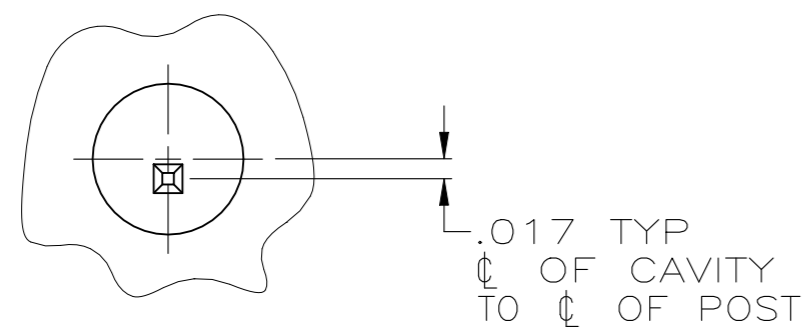
| REVISIONS | | | | | |
|-----------|-----|---------------------------|-----------|-----|------|
| P | LTR | DESCRIPTION | DATE | DWN | APVD |
| D4 | | REVISED PER ECR-22-150475 | 26AUG2022 | RK | MZ |

- 1 CONTACT BODY: 30 μIN MIN GOLD IN CONTACT AREA, 5 μIN MIN GOLD ON REMAINDER, OVER 30 μIN MIN NICKEL.
CONTACT POST: 100 μIN MIN TIN OVER 50 μIN MIN NICKEL.
- 2 CONTACT BODY: 30 μIN MIN GOLD IN CONTACT AREA, OVER 30 μIN MIN NICKEL.
CONTACT POST: 100 μIN MIN TIN-LEADED, OVER 50 μIN MIN NICKEL.



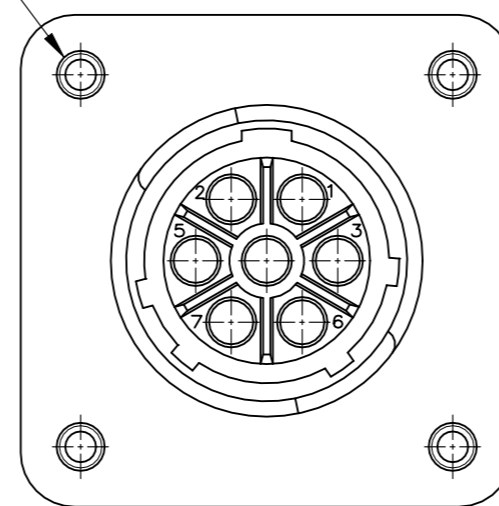
PART NUMBER AND DATE CODE MARKED ON ANY FLANGE EDGE

| | | |
|----------|-------------|-----------|
| OBSOLETE | .220 | 1986377-3 |
| | .557 | 1986377-2 |
| | .220 | 1986377-1 |
| DIM A | PART NUMBER | |



POST ARRANGEMENT ON REAR FACE
SCALE 6:1

4-40 THREADED INSERTS QTY: 4
MATERIAL: BRASS



1986377-2

| | | |
|-----------------------|----------------|-------------|
| YES | 1 | 1986377-3 |
| YES | 2 | 1986377-2 |
| NO | 1 | 1986377-1 |
| 4-40 THREADED INSERTS | CONTACT FINISH | PART NUMBER |

| | | | | | | | | | | |
|---------------------------------------------------------------------------------------|--|------------------|------------|------------------|--|------------------------------------------------------------|--|-------------------------------|--|--|
| THIS DRAWING IS A CONTROLLED DOCUMENT. | | DWN | S SCHLEGEL | 2/27/08 | | RECEPTACLE ASSY, POSTED, REV SEX, SERIES 1, SIZE 13-7, CPC | | | | |
| DIMENSIONS: INCHES | | CHK | S HEADER | 2/27/08 | | NAME | | RESTRICTED TO | | |
| TOLERANCES UNLESS OTHERWISE SPECIFIED: | | APVD | S HEADER | 2/27/08 | | PRODUCT SPEC | | SCALE 2:1 SHEET 1 OF 1 REV D4 | | |
| 0 PLC ± - 1 PLC ± - 2 PLC ± 0.13 [.005] 3 PLC ± - 4 PLC ± - ANGLES ± - | | APPLICATION SPEC | | WEIGHT - | | SIZE A2 CAGE CODE 00779 | | DRAWING NO C=1986377 | | |
| MATERIAL SEE CALLOUTS | | FINISH - | | CUSTOMER DRAWING | | | | | | |