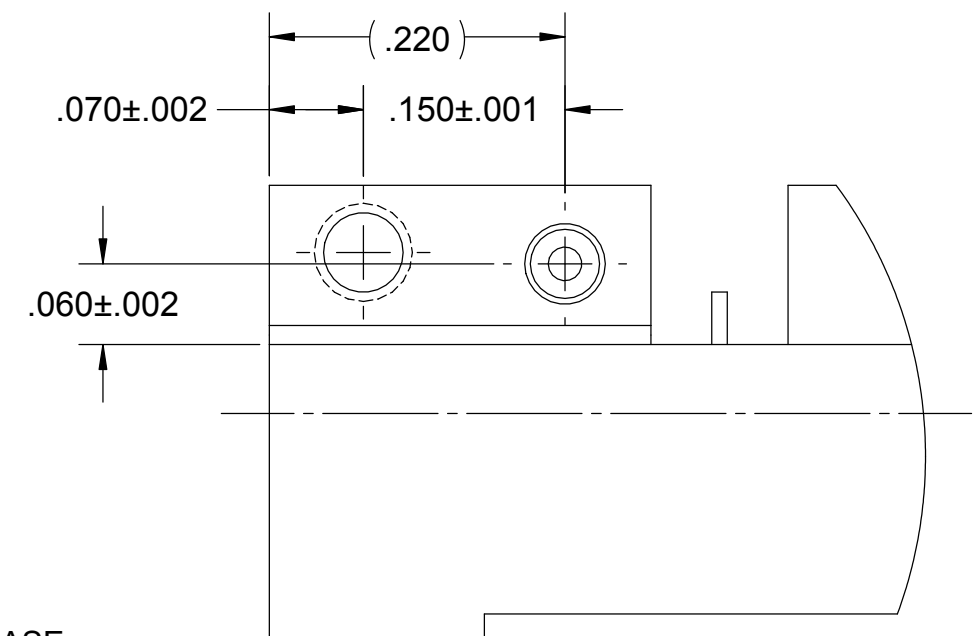
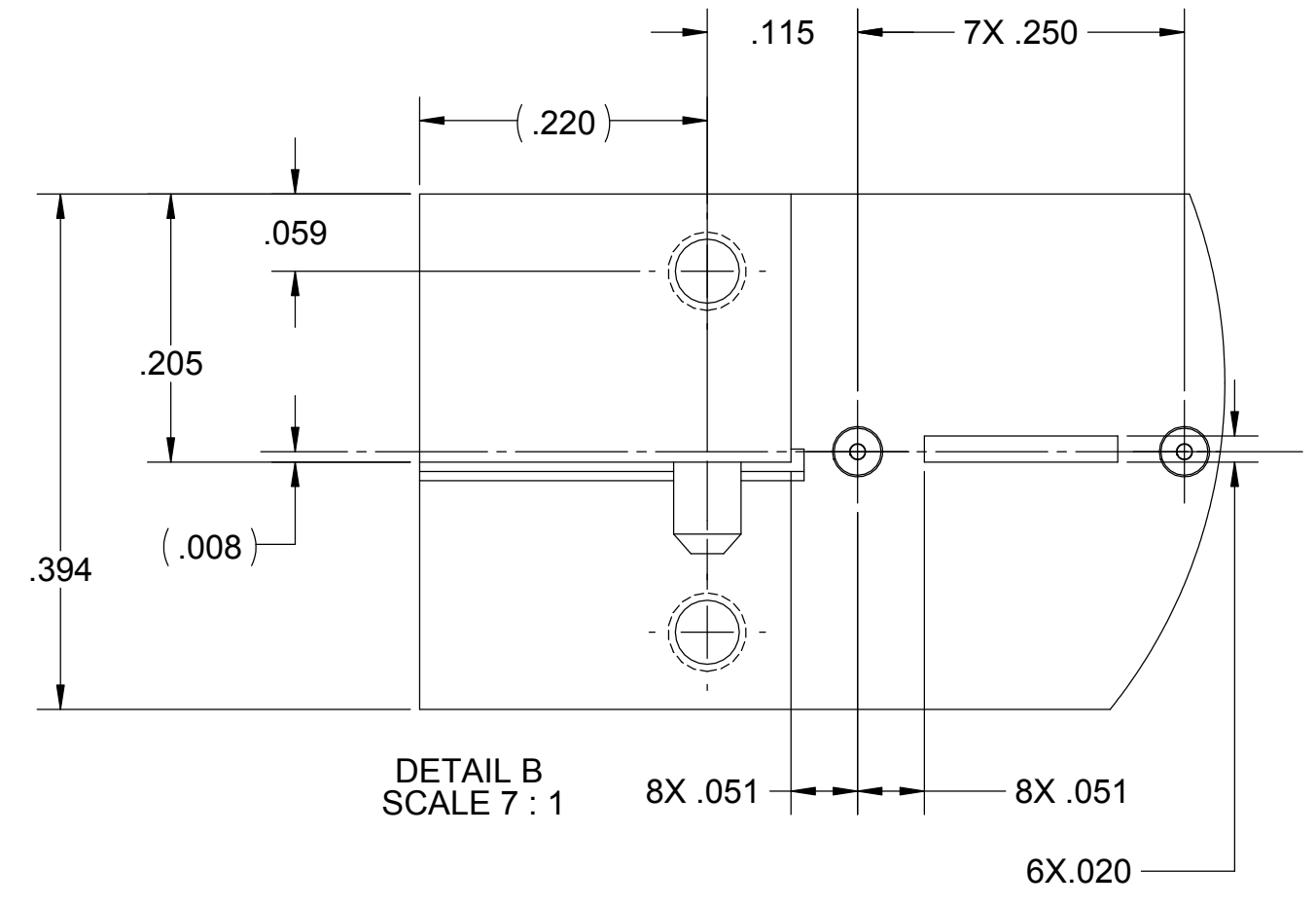
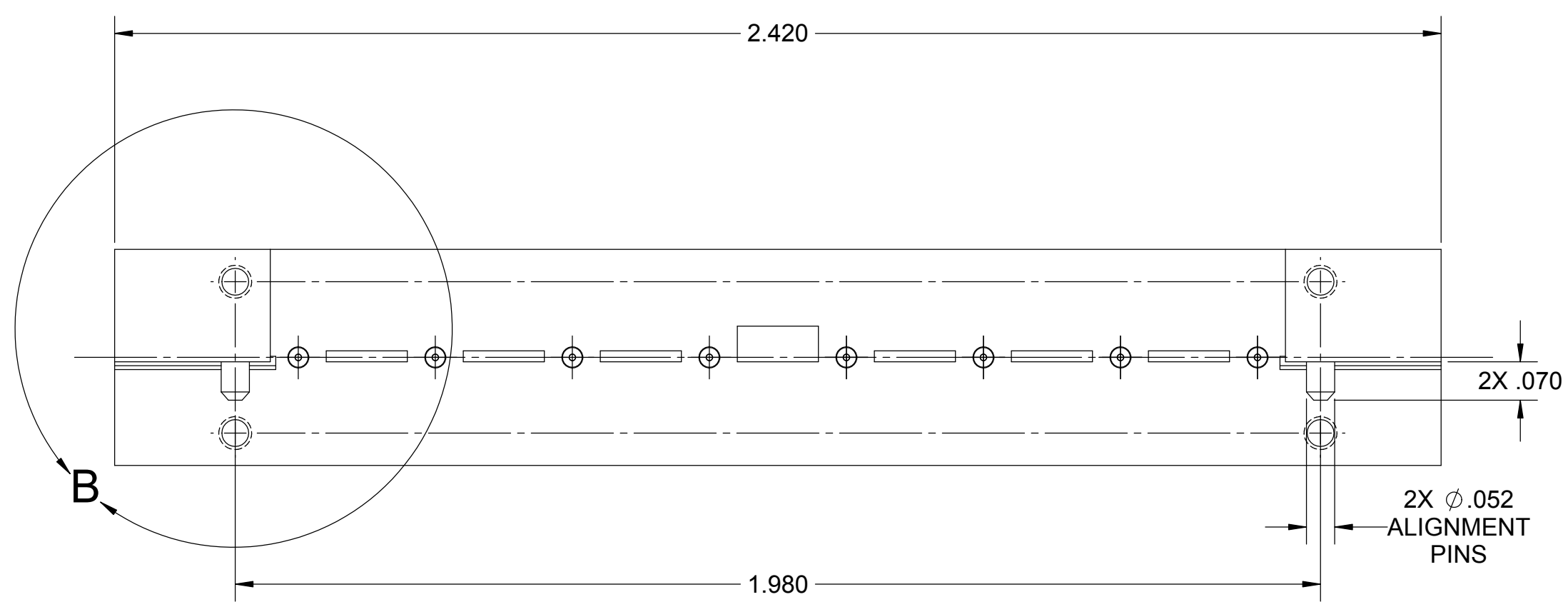
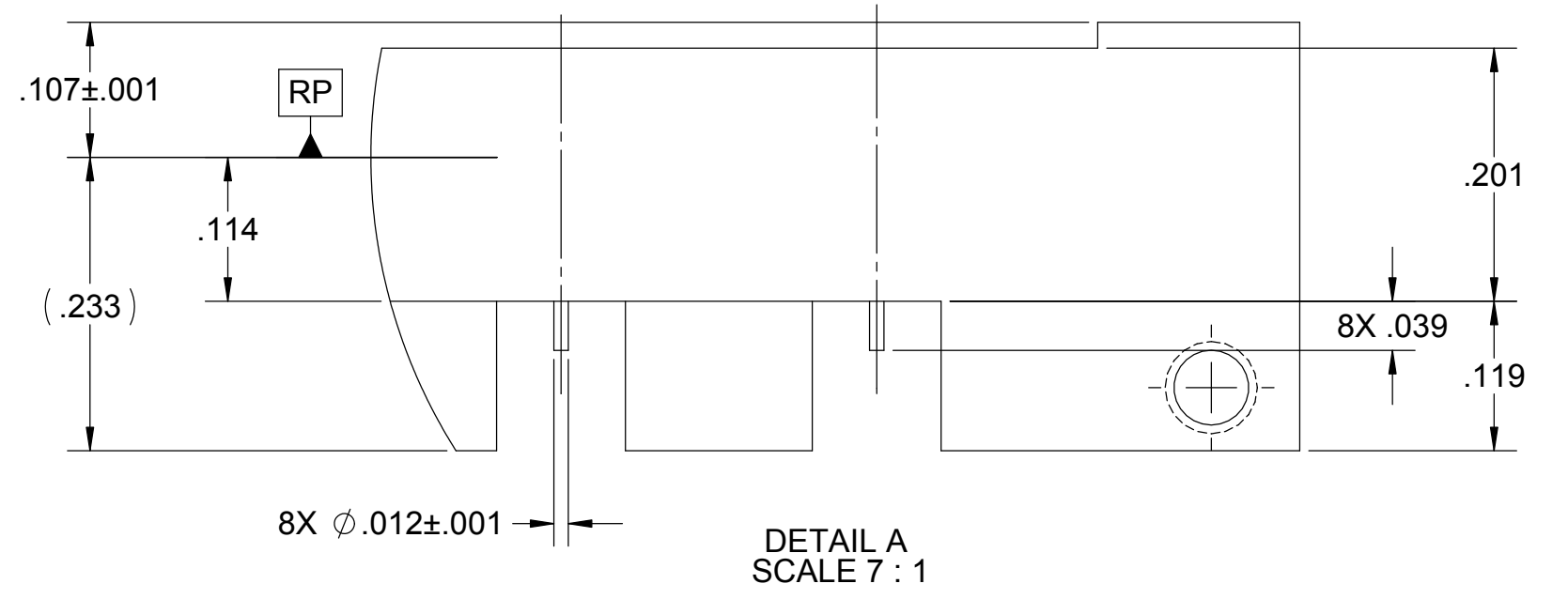
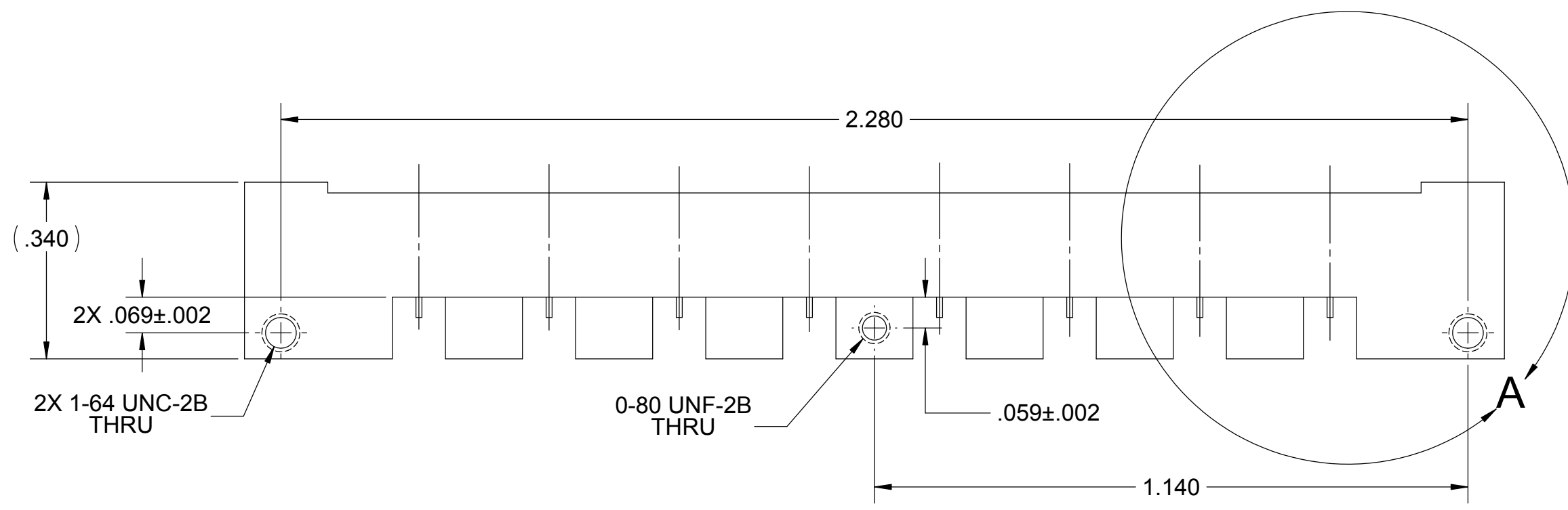


# PRODUCT DATA DRAWING

REVISION HISTORY			
REV.	DESCRIPTION	DATE	APPROVED
-	NRN 40630	05/16	STW



**MATERIAL:**  
 BODY & SHROUDS: STAINLESS STEEL PER AMS-5640, ALLOY UNS S30300, TYPE 1; OR ASTM A582 TYPE 303, COND. A  
 CONTACTS: BERYLLIUM COPPER PER ASTM B196, ALLOY No. UNS C17300, TD04  
 INSULATORS: PTFE PER ASTM D1710, TYPE I, GRADE 1, CLASS B

**FINISH:**  
 BODY, SHROUDS, & CONTACTS: GOLD PER ASTM B488, TYPE II, CODE C, CLASS 0.76, OVER NICKEL PER AMS-QQ-N-290, CLASS 1, .00010" MIN.

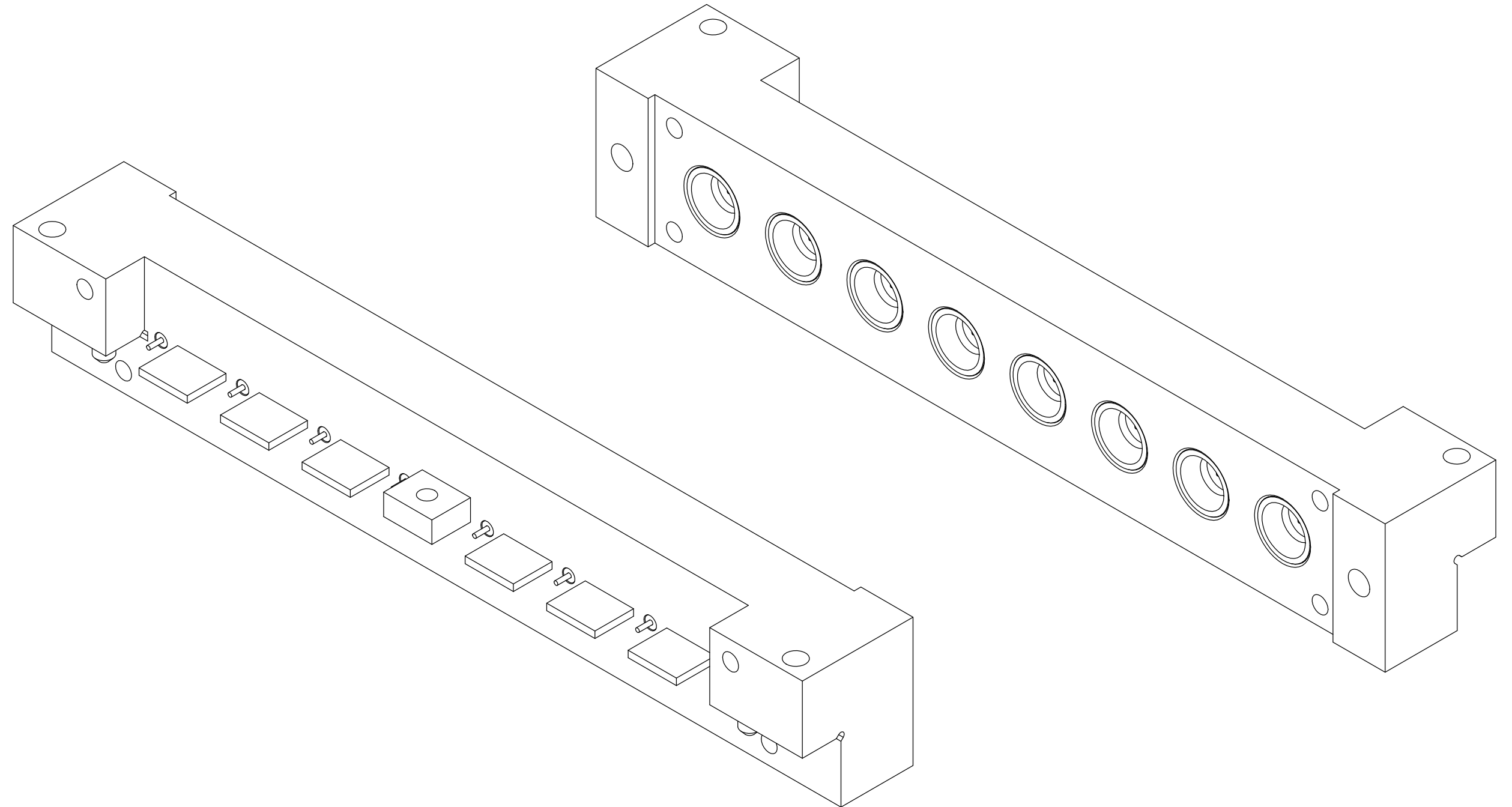
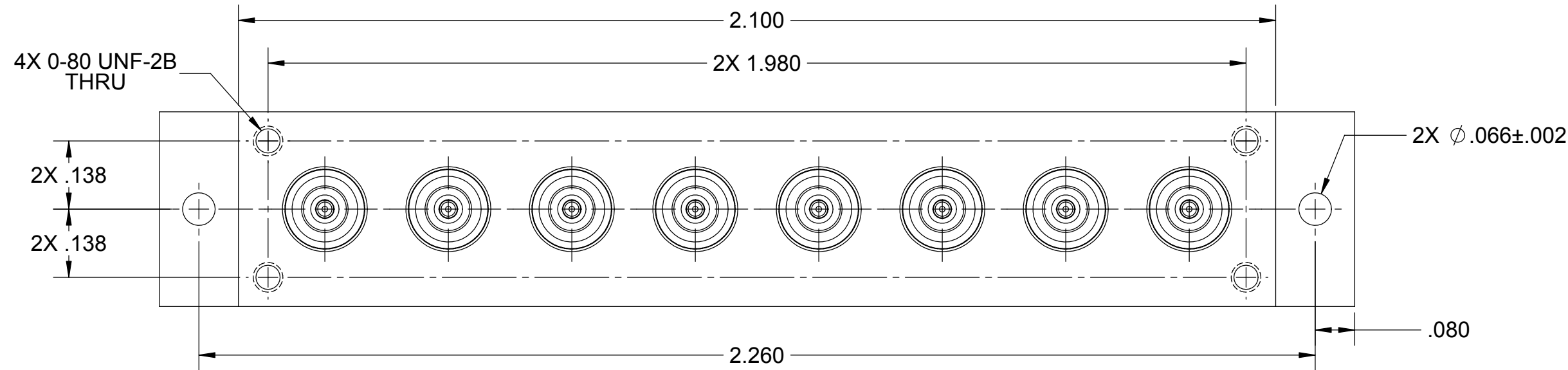
**PERFORMANCE:**  
 IMPEDANCE: 50 OHMS  
 FREQ. RANGE: DC TO 65 GHZ.

**NOTES:**  
 1. FOR A FOOTPRINT RECOMMENDATION SPECIFIC TO YOUR PCB, PLEASE CONTACT US AT [applications@svmicro.com](mailto:applications@svmicro.com)

MATERIAL: SEE NOTES	DIMENSIONS ARE IN INCHES TOLERANCES: ANGULAR: ±1° ONE PLACE DECIMAL ±.030 TWO PLACE DECIMAL ±.010 THREE PLACE DECIMAL ±.005	UNLESS OTHERWISE SPECIFIED: 1. ALL DIMENSIONS ARE AFTER PLATING. 2. BREAK CORNERS & EDGES R.005 MAX. 3. CHAMFER 1ST AND LAST THREAD. 4. SURFACE ROUGHNESS 63 PER MIL-STD-10. 5. DIA'S ON COMMON CENTERS TO BE CONCENTRIC WITHIN .005 T.I.R. 6. REMOVE ALL BURRS.	<b>SV Microwave, Inc.®</b> 2400 Centrepark West Drive, Suite 100 West Palm Beach, FL 33409 <b>TITLE:</b> <b>SMPM CM MALE 8-PORT                  EDGE LAUNCH</b>		
FINISH: SEE NOTES	INTERPRET DIMENSIONS AND TOLERANCES PER ASME Y14.5M - 1994	THIRD ANGLE PROJECTION			DRAWN: FED 05/26/16 CHECKED: STW 05/26/16 APPROVED: STW 05/26/16 E.M. SIMULATION:
DO NOT SCALE DRAWING			SIZE: C	CAGE CODE: 95077	DWG. NO. 3211-60180
<b>PROPRIETARY</b>			SCALE: 4:1	SHEET 1 OF 2	
THE INFORMATION CONTAINED IN THIS DRAWING IS THE SOLE PROPERTY OF SV MICROWAVE, INC. ANY REPRODUCTION IN PART OR AS A WHOLE WITHOUT THE WRITTEN PERMISSION OF SV MICROWAVE, INC. IS PROHIBITED.					

# PRODUCT DATA DRAWING

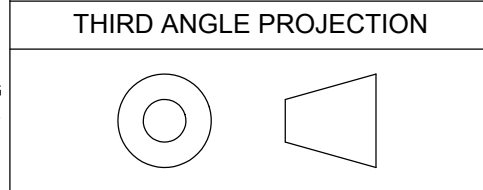
REVISION HISTORY			
REV.	DESCRIPTION	DATE	APPROVED
	SEE SHEET 1		



MATERIAL: SEE NOTES  
 FINISH: SEE NOTES  
 DO NOT SCALE DRAWING

**PROPRIETARY**  
 THE INFORMATION CONTAINED IN THIS DRAWING IS THE SOLE PROPERTY OF SV MICROWAVE, INC. ANY REPRODUCTION IN PART OR AS A WHOLE WITHOUT THE WRITTEN PERMISSION OF SV MICROWAVE, INC. IS PROHIBITED.

DIMENSIONS ARE IN INCHES  
 TOLERANCES:  
 ANGULAR: ±1°  
 ONE PLACE DECIMAL ±.030  
 TWO PLACE DECIMAL ±.010  
 THREE PLACE DECIMAL ±.005  
 INTERPRET DIMENSIONS AND TOLERANCES PER ASME Y14.5M - 1994



UNLESS OTHERWISE SPECIFIED:  
 1. ALL DIMENSIONS ARE AFTER PLATING.  
 2. BREAK CORNERS & EDGES R.005 MAX.  
 3. CHAMFER 1ST AND LAST THREAD.  
 4. SURFACE ROUGHNESS 63 PER MIL-STD-10.  
 5. DIA'S ON COMMON CENTERS TO BE CONCENTRIC WITHIN .005 T.I.R.  
 6. REMOVE ALL BURRS.

DRAWN: FED 05/26/16  
 CHECKED: STW 05/26/16  
 APPROVED: STW 05/26/16  
 E.M. SIMULATION:

**SV Microwave, Inc.**  
 2400 Centrepark West Drive, Suite 100  
 West Palm Beach, FL 33409

TITLE: **SMPM CM MALE 8-PORT EDGE LAUNCH**

SIZE: C	CAGE CODE: 95077	DWG. NO. 3211-60180
SCALE: 4:1		SHEET 2 OF 2