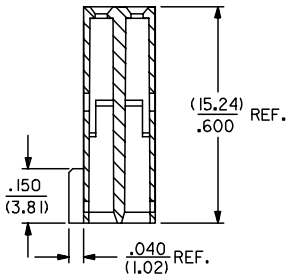
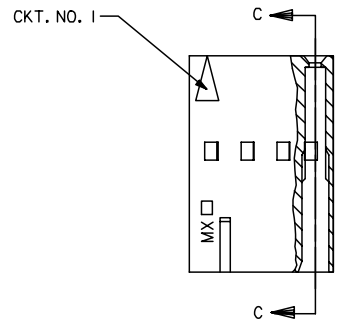
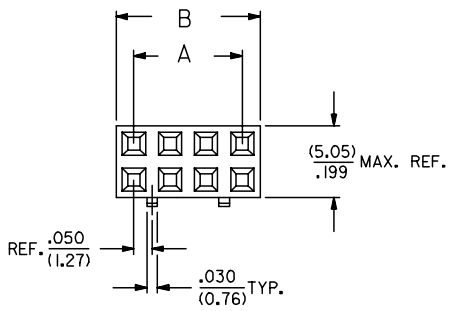


NOTES:

- 1) MATERIAL: G.F. POLYESTER
- 2) HOUSING TO BE USED WITH TERMINALS
PT. NO. 70058-**** & 70028-****
- 3) TO BE USED WITH (0.64)/.025 SQ. OR RD. PINS.
- 4) REFER TO PRODUCT SPECIFICATION PS-70058.
- 5) PACKAGE PER PK-70450-100.
- 6) PARTS CONFORM TO CLASS C OF COSMETIC
SPECIFICATION PS-45499-002.

-OPTION "K"-



SECTION C-C

CKT. SIZE	EDP. NO.	ENG. NO.	A	B
4	NOT TOOLED	70450-0450	(2.54) .100	(5.05) .199
6	22-56-8068	70450-0451	(5.08) .200	(7.59) .299
8		70450-0452	(7.62) .300	(10.13) .399
10		70450-0453	(10.16) .400	(12.67) .499
12		70450-0454	(12.70) .500	(15.21) .599
14		70450-0455	(15.24) .600	(17.75) .699
16		70450-0456	(17.78) .700	(20.29) .799
18		70450-0457	(20.32) .800	(22.83) .899
20		70450-0458	(22.86) .900	(25.37) .999
22		70450-0459	(25.40) 1.000	(27.91) 1.099
24		70450-0460	(27.94) 1.100	(30.45) 1.199
26		70450-0461	(30.48) 1.200	(32.99) 1.299
28		70450-0462	(33.02) 1.300	(35.53) 1.399
30		70450-0463	(35.56) 1.400	(38.07) 1.499
32		70450-0464	(38.10) 1.500	(40.61) 1.599
34		70450-0465	(40.64) 1.600	(43.15) 1.699
36		70450-0466	(43.18) 1.700	(45.69) 1.799
38		70450-0467	(45.72) 1.800	(48.23) 1.899
40		70450-0468	(48.26) 1.900	(50.77) 1.999
42		70450-0469	(50.80) 2.000	(53.31) 2.099
44		70450-0470	(53.34) 2.100	(55.85) 2.199
46		70450-0471	(55.88) 2.200	(58.39) 2.299
48		70450-0472	(58.42) 2.300	(60.93) 2.399
50		70450-0473	(60.96) 2.400	(63.47) 2.499
52		70450-0474	(63.50) 2.500	(66.01) 2.599
54		70450-0475	(66.04) 2.600	(68.55) 2.699

AVAILABLE UPON REQUEST
 NO EDP ASSIGNED
 NOT TOOLED

ADD COSMETIC SPEC EC NO: UCP2007-2009 DRW: JORGAN 2007/02/23 CHK: MSIBARRA 2007/02/23 APPR: SMILLER 2007/02/27 REV:	QUALITY SYMBOLS	GENERAL TOLERANCES (UNLESS SPECIFIED)	DIMENSION STYLE	SCALE	DESIGN UNITS	THIRD ANGLE PROJECTION
	▽=0 ▽=0	mm INCH 4 PLACES ± --- ± --- 3 PLACES ± --- ± --- 2 PLACES ± 0.25 ± 0.10 1 PLACE ± 0.35 ± 0.14 ANGULAR ± 1/2°	MM/IN	4:1	INCH	
		DRAFT WHERE APPLICABLE MUST REMAIN WITHIN DIMENSIONS	DRAWN BY	DATE	TITLE	
			MGB	1986/11/04	HOUSING - CONNECTOR DUAL ROW 2.54/100 GRID WITH 2 POLARIZATION RIBS	

APPROVED BY WAZ DATE 1986/11/04	MATERIAL NO. SEE CHART	DOCUMENT NO. SD-70450-0450-0475	SHEET NO. 1 OF 1
THIS DRAWING CONTAINS INFORMATION THAT IS PROPRIETARY TO MOLEX INCORPORATED AND SHOULD NOT BE USED WITHOUT WRITTEN PERMISSION			