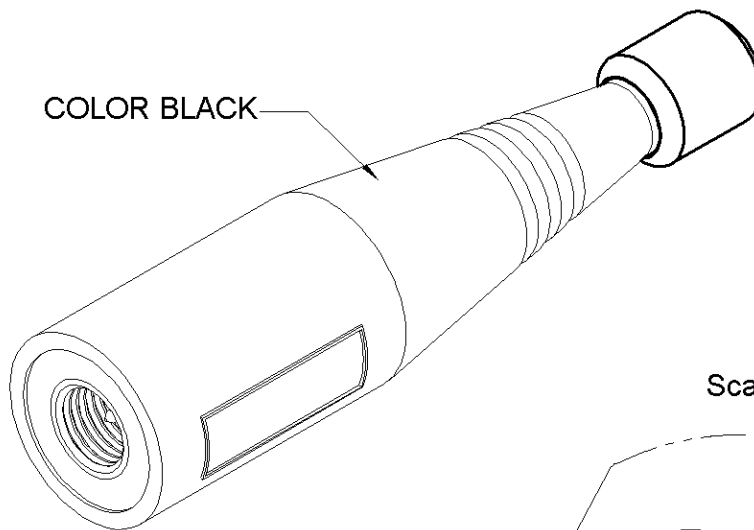
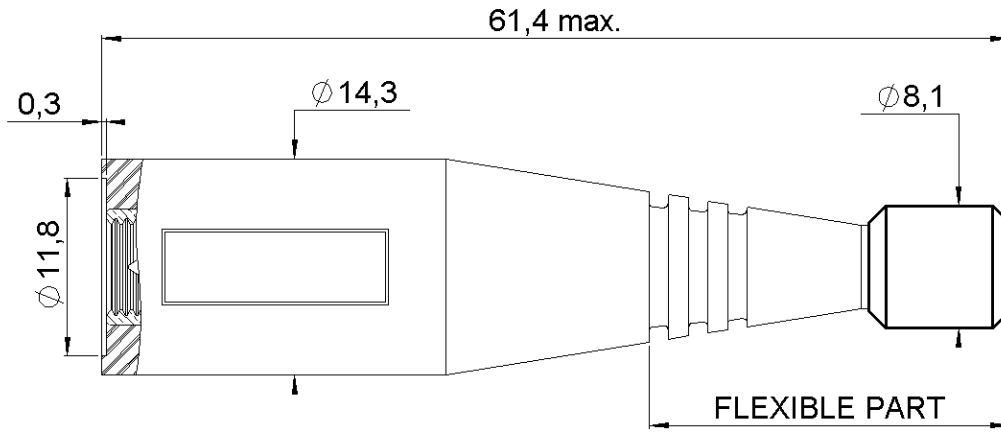


STRAIGHT DIPOLE SMA 2.4GHZ
OMNIDIRECTIONAL ANTENNA

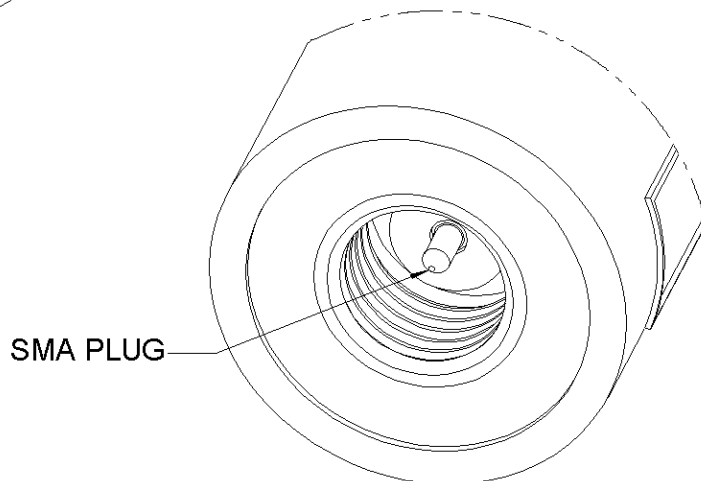
R380.500.127

Series : ANTENNA

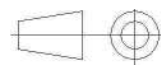
Scale 2:1



Scale 4:1



All dimensions are in mm



Issue : 0826 A

In the effort to improve our products, we reserve the right to make changes judged to be necessary.

**STRAIGHT DIPOLE SMA 2.4GHZ
OMNIDIRECTIONAL ANTENNA****R380.500.127**

Series : ANTENNA

ELECTRICAL CHARACTERISTICS

Frequency :	2.4-2.5 GHz
Nominal Impedance :	50 Ω
VSWR :	1.5:1 Max
Gain (Overall gain) :	2 dBi
Radiation Pattern :	Omni-directional in the horizontal plane
Polarization :	VERTICAL
Power withstanding :	1 W Max
Connector type :	SMA Plug (gold plated)

MECHANICAL CHARACTERISTICS

Plastic radome :	HYTREL G 3548 L
Color :	BLACK
Ingress Protection :	IP 68
Weight :	10.1 g
Overall length :	61.4 mm
Flexibility :	100 Cycles ± 180°
Pull Force :	15 lb.
Torque Resistance :	1.6 in-lb.
Flammability :	UL94-HB
Drop test resistance :	5 ft drop to concrete (x30) mounted of a 800 g handheld terminal

Issue : 0826 A

In the effort to improve our products, we reserve the right to make changes judged to be necessary.

RADIAL 

**STRAIGHT DIPOLE SMA 2.4GHZ
OMNIDIRECTIONAL ANTENNA**

R380.500.127

Series : ANTENNA

TESTS MECHANICAL

Test report n° 2003-13-9245

ENVIRONMENTAL CHARACTERISTICS

Operating temperature : **-30/+55 ° C**

Storage temperature : **-40/+70 ° C**

TESTS ENVIRONMENTAL

Test report n° 2003-19-8353

In accordance with the DEF STAN 00-35

PACKAGING

Standard	Unit	Other
20	'W' option	Contact us

Issue : 0826 A

In the effort to improve our products, we reserve the right to make changes judged to be necessary.

RADIAL 