

DESIGNED & DIMENSIONED
IN MILLIMETERS[INCHES]

DO NOT
SCALE FROM
THIS PRINT

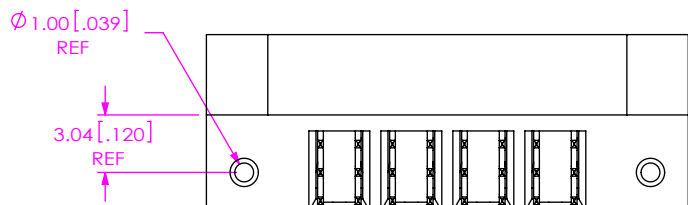
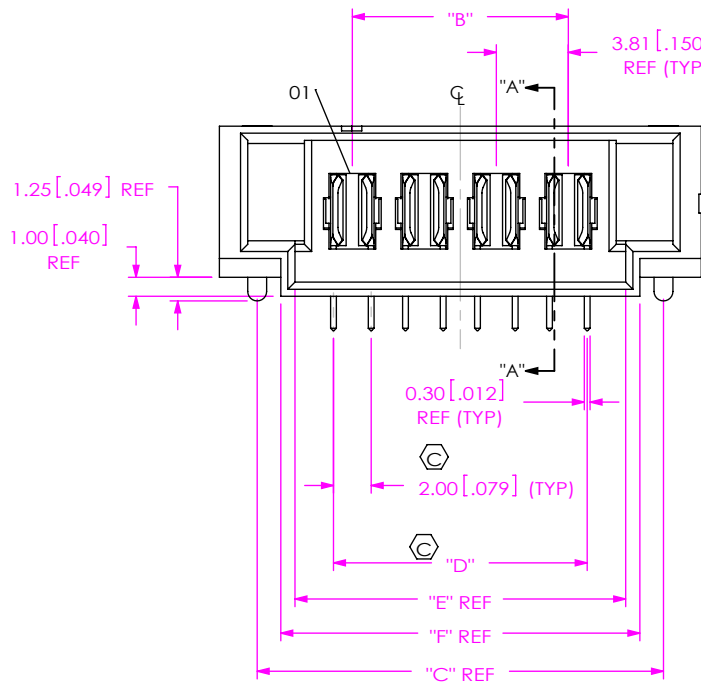
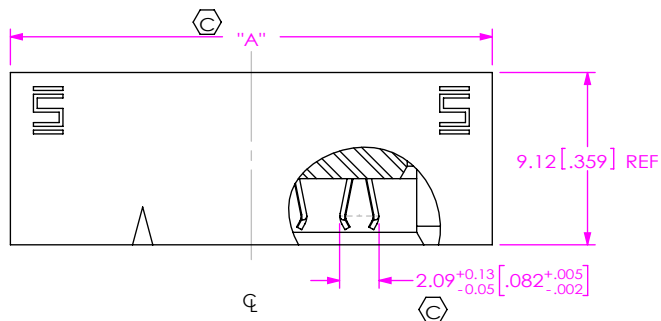


TABLE 2		
TAIL LENGTH	"G"	SUB-T-1M70-XX-X
-01	2.82 [0.111]	SUB-T-1M70-01-X
-02	3.58 [0.141]	SUB-T-1M70-02-X

NOTES:

1. C REPRESENTS A CRITICAL DIMENSION.
2. MAXIMUM BURR ALLOWANCE: 0.038[.0015]
3. MINIMUM PUSHOUT FORCE: 4.5N[1.0 LB].
4. MAXIMUM ALLOWABLE BOW: .15[.006].
5. MINIMUM -LC PULL OUT FORCE: 2.23 N [0.5LB].
6. ORDERS WILL BE PACKAGED ACCORDING TO THE SAMTEC PACKAGING EFFICIENCY STANDARDS (SPES) FOUND ON WWW.SAMTEC.COM.
7. ATTACH LABEL TO EACH REEL.

UPT-XX-01-XX-X-RA-XX-XX

NO OF POSITIONS
-02: 2 POSITIONS
-04: 4 POSITIONS
-06: 6 POSITIONS
-08: 8 POSITIONS

LEAD STYLE
-01

TAIL LENGTH
-01: FOR 1.57[.062] THICK PCB
(USE SUB-T-1M70-01-X)
-02: FOR 2.36[.093] THICK PCB
(USE SUB-T-1M70-02-X)

PACKAGING

BLANK: TUBE (SEE NOTE 6)
-TR: TAPE AND REEL (SEE NOTES 6 & 7)
-FR: FULL REEL QTY TAPE & REEL
(SEE NOTES 6 & 7)

OPTION

-LC: LOCKING CLIP

RIGHT ANGLE

PLATING

-L: LIGHT SELECTIVE, 10 AU/50 NI
MIN ON CONTACT, TIN ON TAIL
-T: TIN, TIN ALL OVER

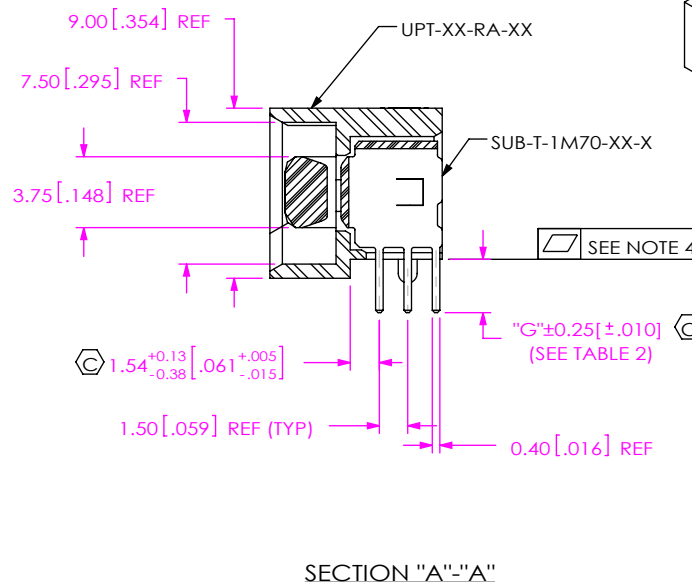


FIG 1
(UPT-04-01-X-RA-X SHOWN)

TABLE 1						
PART NUMBER	"A"	"B"	"C"	"D"	"E"	"F"
UPT-02-XX-X-RA-XX	17.88 [0.704]	3.81 [0.150]	13.88 [0.546]	5.81 [0.228]	9.88 [0.389]	11.38 [0.448]
UPT-04-XX-X-RA-XX	25.50 [1.004]	11.43 [0.450]	21.50 [0.846]	13.43 [0.529]	17.50 [0.689]	19.00 [0.748]
UPT-06-XX-X-RA-XX	33.12 [1.304]	19.05 [0.750]	29.12 [1.146]	21.05 [0.829]	25.12 [0.989]	26.62 [1.048]
UPT-08-XX-X-RA-XX	40.74 [1.604]	26.67 [1.050]	36.74 [1.446]	28.67 [1.029]	32.74 [1.289]	34.24 [1.348]

UNLESS OTHERWISE SPECIFIED,
DIMENSIONS ARE IN MILLIMETERS
TOLERANCES ARE:
DECIMALS ANGLES
X.X: ±0.3 [0.1]
X.XX: ±0.13 [0.005]
X.XXX: ±0.051 [0.020]

PROPRIETARY NOTE

THIS DOCUMENT CONTAINS CONFIDENTIAL AND PROPRIETARY INFORMATION AND ALL DESIGN, MANUFACTURING, REPRODUCTION, USE, PATENT RIGHTS AND SALES RIGHTS ARE EXPRESSLY RESERVED BY SAMTEC, INC. THIS DOCUMENT SHALL NOT BE DISCLOSED, IN WHOLE OR PART, TO ANY UNAUTHORIZED PERSON OR ENTITY NOR REPRODUCED, TRANSFERRED OR INCORPORATED IN ANY OTHER PROJECT IN ANY MANNER WITHOUT THE EXPRESS WRITTEN CONSENT OF SAMTEC, INC.



520 PARK EAST BLVD, NEW ALBANY, IN 47150
PHONE: 812-944-6733 FAX: 812-948-5047
e-Mail: info@SAMTEC.com code: 55322

MATERIAL: DO NOT SCALE DRAWING
INSULATOR: LCP, COLOR: BLACK UL 94 VO
TERMINAL: BeCu
LOCKING CLIP: PHOS BRONZE

SHEET SCALE: 1:0.4

DESCRIPTION: UPT-RA, ASSEMBLY

DWG. NO. UPT-XX-01-XX-X-RA-XX-XX

BY: B RAY 10/01/2008 SHEET 1 OF 2

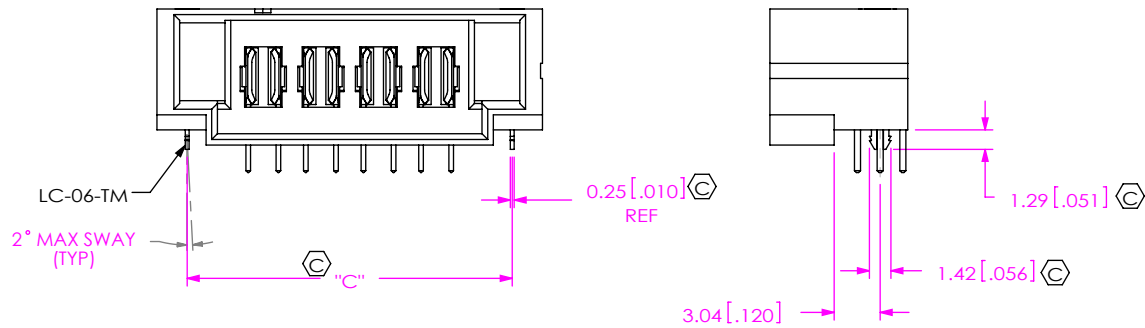


FIG 2
(UPT-04-01-X-RA-X-LC SHOWN)
(SAME AS FIG 1, DIFFERENT AS SHOWN)

TABLE 3		
PLATING	POWER PIN CONTACT AREA	POWER PIN TAIL
-L	LIGHT GOLD	MATTE TIN
-T	MATTE TIN	MATTE TIN

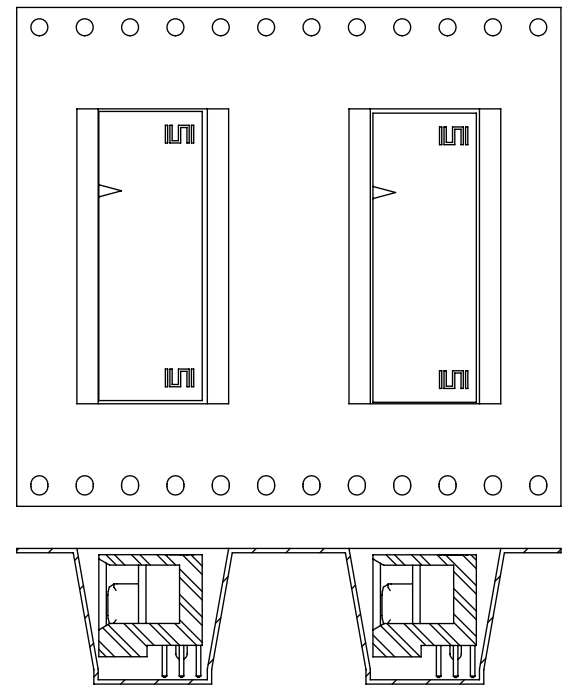
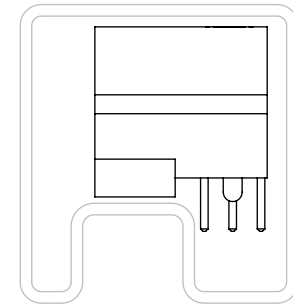


FIG 3
-TR: PACKAGING VIEW
TAPE AND REEL



PACKAGING TUBE VIEW

TUBE TABLE		
TAIL LENGTH	TUBE	PLUG
ALL	PT-1-24-01-40	TP-13

PROPRIETARY NOTE
THIS DOCUMENT CONTAINS CONFIDENTIAL AND PROPRIETARY INFORMATION AND ALL DESIGN, MANUFACTURING, REPRODUCTION, USE, PATENT RIGHTS AND SALES RIGHTS ARE EXPRESSLY RESERVED BY SAMTEC, INC. THIS DOCUMENT SHALL NOT BE DISCLOSED, IN WHOLE OR PART, TO ANY UNAUTHORIZED PERSON OR ENTITY NOR REPRODUCED, TRANSFERRED OR INCORPORATED IN ANY OTHER PROJECT IN ANY MANNER WITHOUT THE EXPRESS WRITTEN CONSENT OF SAMTEC, INC.

DO NOT SCALE DRAWING

SHEET SCALE: 1:0.333333



520 PARK EAST BLVD, NEW ALBANY, IN 47150
PHONE: 812-944-6733 FAX: 812-948-5047
e-Mail: info@SAMTEC.com code: 55322

DESCRIPTION: UPT-RA, ASSEMBLY

DWG. NO. UPT-XX-01-XX-X-RA-XX-XX

BY: B RAY 10/01/2008 SHEET 2 OF 2