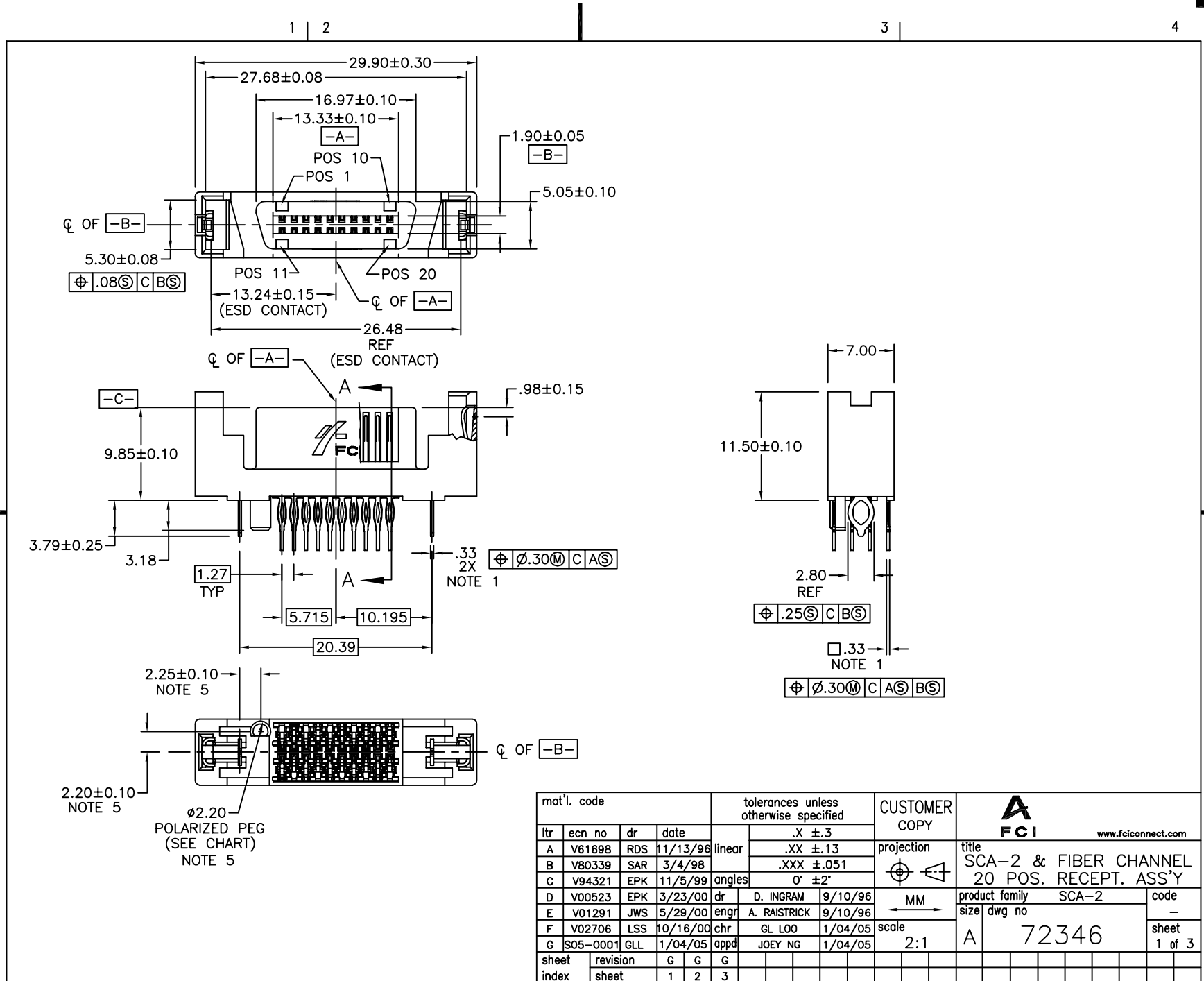


Tous droits strictement reserves. Reproduction ou communication a des tiers interdite sous quelque forme que ce soit sans autorisation ecrite du proprietaire. Propriete de c FCI. Droits de reproduction FCI.

FCI

All rights strictly reserved. Reproduction or issue to third parties in any form whatever is not permitted without written authority from the proprietor. Property of FCI. Copyright FCI.



mat'l. code				tolerances unless otherwise specified			CUSTOMER COPY		 www.fciconnect.com	
ltr	ecn no	dr	date	linear	.X ±.3		projection	title		
A	V61698	RDS	11/13/98		.XX ±.13			SCA-2 & FIBER CHANNEL		
B	V80339	SAR	3/4/98		.XXX ±.051			20 POS. RECEPT. ASS'Y		
C	V94321	EPK	11/5/99	angles	0° ±2°		 MM	product family		code
D	V00523	EPK	3/23/00	dr	D. INGRAM	9/10/96		SCA-2		-
E	V01291	JWS	5/29/00	engr	A. RAISTRICK	9/10/96	scale	size		sheet
F	V02706	LSS	10/16/00	chr	GL L00	1/04/05		A		1 of 3
G	S05-0001	GLL	1/04/05	appd	JOEY NG	1/04/05	2:1		72346	
sheet	revision	G	G	G						
index	sheet	1	2	3						

cage code
22526

ACAD

PDM: Rev:G

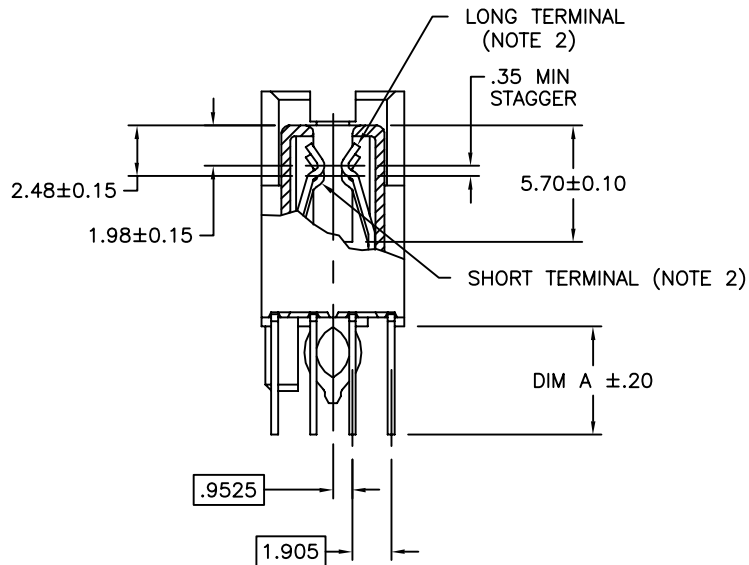
STATUS:Released

Printed: Mar 11, 2011

Tous droits strictement reserves. Reproduction ou communication a des tiers interdite sous quelque forme que ce soit sans autorisation ecrite du proprietaire. Propriete de c FCI. Droits de reproduction FCI.



All rights strictly reserved. Reproduction or issue to third parties in any form whatever is not permitted without written authority from the proprietor. Property of FCI. Copyright FCI.



SECTION A-A

mat'l. code				tolerances unless otherwise specified			CUSTOMER COPY		 www.fciconnect.com		
ltr	ecn no	dr	date	linear	.X ±.3		projection	title			
G					.XX ±.13			 MM	SCA-2 & FIBER CHANNEL		
					.XXX ±.051				20 POS. RECEPT. ASS'Y		
				angles	0° ±2°		scale	product family		code	
				dr	D. INGRAM	9/10/96		SCA-2		-	
				engr	A. RAISTRICK	9/10/96		size	dwg no		sheet
				chr	GL L00	1/04/05		A	72346		2 of 3
				appd	JOEY NG	1/04/05	3:1				
sheet index	revision sheet										

cage code 22526

ACAD

PDM: Rev:G

STATUS: Released

Printed: Mar 11, 2011

Tous droits strictement réservés. Reproduction ou communication à des tiers interdite sous quelque forme que ce soit sans autorisation écrite du propriétaire. Propriété de c FCI. Droits de reproduction FCI.

FCI

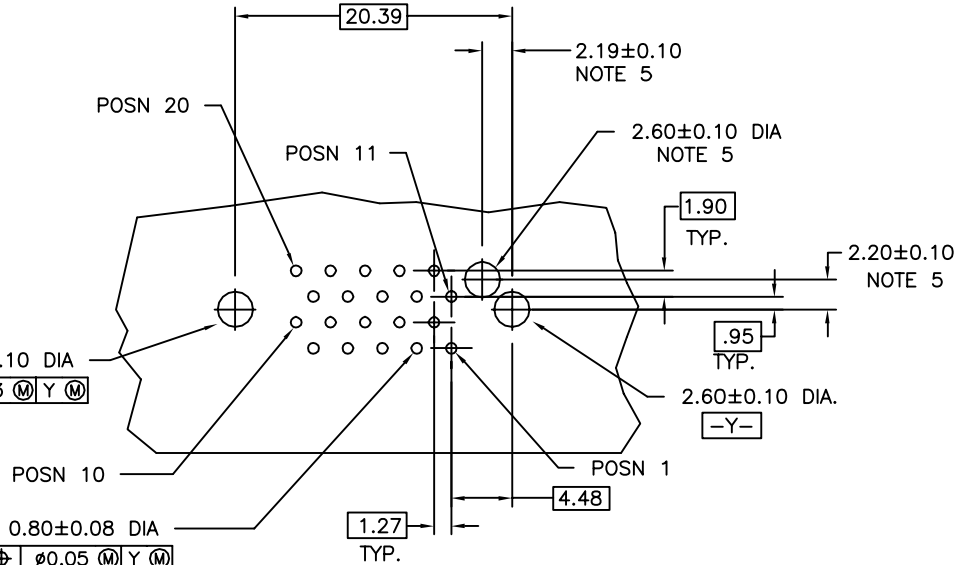
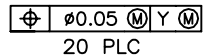
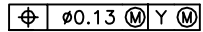
All rights strictly reserved. Reproduction or issue to third parties in any form whatever is not permitted without written authority from the proprietor. Property of FCI. Copyright FCI.

PRODUCT NUMBER	"A" DIM	POLARIZATION PEG	PLATING	RECOMMENDED P.C. BOARD THICKNESS	PRODUCT NUMBER	PLATING	PRODUCT NUMBER	PLATING	PRODUCT NUMBER	PLATING
72346-001	3.79	YES	NOTE ④	2.36mm (0.093") AND 3.18mm (0.125")	72346-101	NOTE ⑥	72346-001LF	NOTE ⑧	72346-101LF	NOTE ⑦
-002	3.79	NO			72346-102		72346-002LF		72346-102LF	
-003	4.60	YES			72346-103		72346-003LF		72346-103LF	
72346-004	4.60	NO			72346-104		72346-004LF		72346-104LF	



NOTES :

- ① TRUE POSITION NOTES APPLY AT TERMINAL TIP.
- ② CONTACTS IN POSITIONS 1 THRU 10 AND 16 ARE SHORT TERMINALS. CONTACTS IN POSITIONS 11, 12, 13, 14, AND 17, 18, 19, 20 ARE LONG TERMINALS.
- ③ RAW MATERIALS:
HOUSING: HTN, UL94V-0, COLOR: BLACK
CONTACTS: PHOSPHOR-BRONZE
- ④ CONTACT PLATING: 30u" (0.76µm) MIN. GXT PLATING OVER 50u" (1.27µm) NICKLE UNDERPLATE IN CONTACT AREA. 20µ" (0.5µm) MIN-60µ" (1.5µm) MAX TIN-LEAD PLATING OVER 50u" (1.27µm) MIN. NICKLE UNDERPLATE IN P.C. BOARD LEG AREA. 50u" (1.27µm) MIN. NICKLE UNDERPLATE OVER REMAINING AREA.
- ⑤ DIMENSIONS DO NOT APPLY TO CONNECTOR STYLES WITHOUT POLARIZATION PEG. (SEE CHART)
- ⑥ CONTACT PLATING: 30u" (0.76µm) MIN GOLD PLATING OVER 50u" (1.27µm) NICKLE UNDERPLATE IN CONTACT AREA. 20µ" (0.5µm) MIN-60µ" (1.5µm) MAX TIN-LEAD PLATING OVER 50u" (1.27µm) MIN. NICKLE UNDERPLATE IN P.C. BOARD LEG AREA. 50u" (1.27µm) MIN. NICKLE UNDERPLATE OVER REMAINING AREA.
- ⑦ CONTACT PLATING: 30u" (0.76µm) GOLD PLATING OVER 50u" (1.27µm) NICKLE UNDERPLATE IN CONTACT AREA. 20µ" (0.5µm) - 60µ" (1.5µm) TIN PLATING OVER 50u" (1.27µm) - 100µ" (2.54µm) NICKEL UNDERPLATE IN P.C. BOARD LEG AREA. 50µ" (1.27µm) NICKEL UNDERPLATE OVER REMAINING AREA.
- ⑧ CONTACT PLATING: 30µ" (0.76µm) GXT PLATING OVER 50µ" (1.27µm) NICKLE UNDERPLATE IN CONTACT AREA. 20µ" (0.5µm) - 60µ" (1.5µm) TIN PLATING OVER 50µ" (1.27µm) - 100µ" (2.54µm) NICKEL UNDERPLATE IN P.C. BOARD LEG AREA. 50µ" (1.27µm) NICKEL UNDERPLATE OVER REMAINING AREA.
- ⑨ THE HOUSING WILL WITHSTAND EXPOSURE TO 260 °C PEAK TEMPERATURE FOR 10 SECONDS IN A CONVECTION, INFRA RED VAPOR PHASE REFLOW OVEN.
- ⑩ THIS PRODUCT MEETS EUROPEAN UNION DIRECTIVES AND OTHER COUNTRY REGULATIONS AS DESCRIBED IN GS-22-008.



RECOMMENDED PC BOARD MOUNTING DIMENSIONS COMPONENT SIDE

mat'l. code		tolerances unless otherwise specified		CUSTOMER COPY		FCI www.fciconnect.com		
ltr	ecn no	dr	date	linear	.X ±.3	projection	title SCA-2 & FIBER CHANNEL 20 POS. RECEPT. ASS'Y	
G					.XX ±.13			
				angles	.XXX ±.051			product family
				dr	0° ±2'	MM	SCA-2	
				engr	D. INGRAM 9/10/96		code	
				chr	A. RAISTRICK 9/10/96		size	-
				appd	GL L00 1/04/05		dwg no	-
					JOEY NG 1/04/05	scale	sheet	
						2:1	3 of 3	
sheet index	revision sheet							

cage code 22526

ACAD

PDM: Rev:G

STATUS: Released

Printed: Mar 11, 2011