



# Pontiac Coil

2110 Queensway Searcy, AR 72143

Phone 501-268-6877 Website: www.pontiaccoil.com

## Model M-22 DC Solenoid Magnetic Latching, Pull Type

**Pontiac Coil - Arkansas is an ISO 9001:2000 Certified Company**

\*Resistance values are  $\pm 10\%$  at 25°C

Model Code	Part No.	Voltage	Duty Cycle	Power (W)	Res.( $\Omega$ )*	Current (A)	Release Volts $\blacklozenge$
M-22PL012D-04-SR	G0401A	12VDC	Continuous	4	38.0	0.4	6.5 - 8.5
M-22PL012D-09-SR	G0402A	12VDC	Intermittent	9	16.0	0.8	4.0 - 6.0
M-22PL012D-40-SR	G0403A	12VDC	Pulse	40	3.6	3.4	2.0 - 3.0
M-22PL024D-04-SR	G0404A	24VDC	Continuous	4	144.0	0.2	15.0 - 17.0
M-22PL024D-09-SR	G0405A	24VDC	Intermittent	9	64.0	0.4	9.0 - 11.0
M-22PL024D-40-SR	G0406A	24VDC	Pulse	40	14.0	1.8	3.5 - 5.5

SR = Spring Return

$\blacklozenge$ Release voltage applied in opposite polarity to unlatch the solenoid

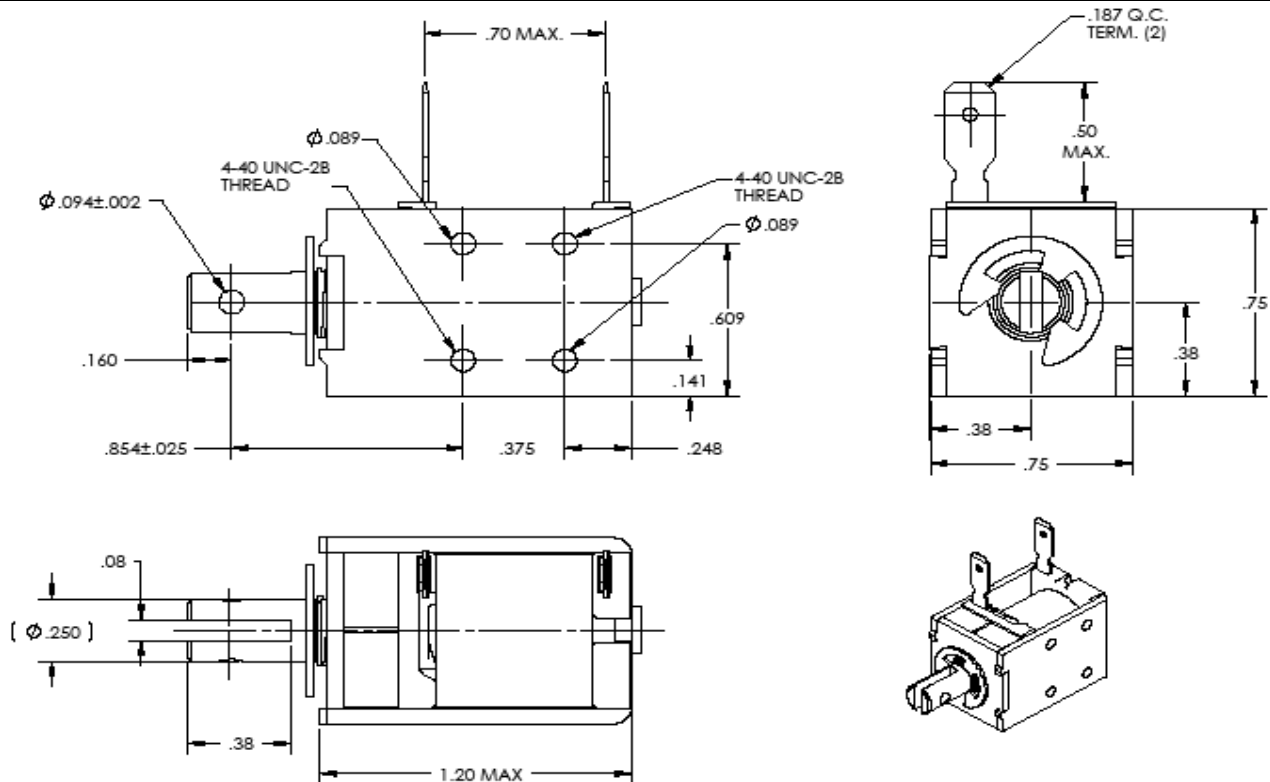
Definition of Duty Cycles:

**Continuous** = indefinite activation; **Intermittent** = 1 minute ON and 3 minutes OFF; **Pulse** = 100 msec. ON and 900 msec. OFF

**Special order options: 6 to 48 Volts, DC only; push-type configuration. Consult factory for other modifications.**

Stroke (in.):	Latched	1/16	1/8	1/4	3/8	1/2
Cont. Duty force	37 oz.	12 oz.	4 oz.	2 oz.	1 oz.	N/A
Int. Duty force	37 oz.	20 oz.	8 oz.	3 oz.	2 oz.	1 oz.
Pulse Duty force	37 oz.	36 oz.	25 oz.	10 oz.	4 oz.	2 oz.

Typical force values when operated at 100% rated voltage at 25°C. Derating required for lower voltage and higher temperature.



Solenoid shown energized, with plunger seated

**Insulation Materials: UL Construction, Class B 130°C**

**Copper magnet wire insulation rated 155°C (class F)**

**Voltage Breakdown Strength: 1500 VAC RMS**

**Life Expectancy: 10 million operations**