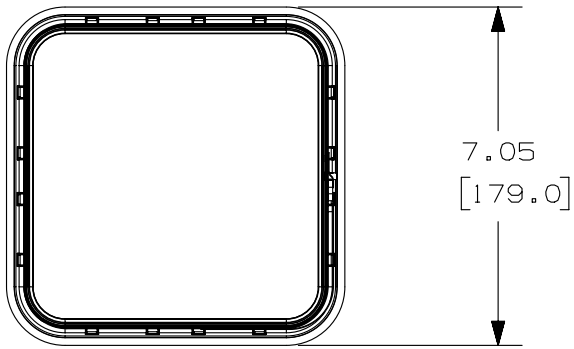


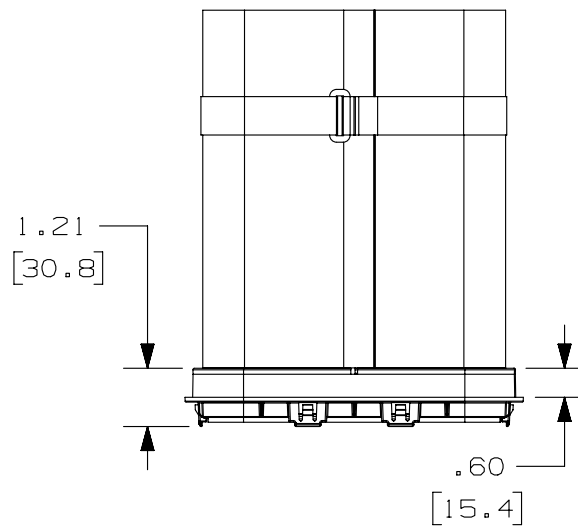
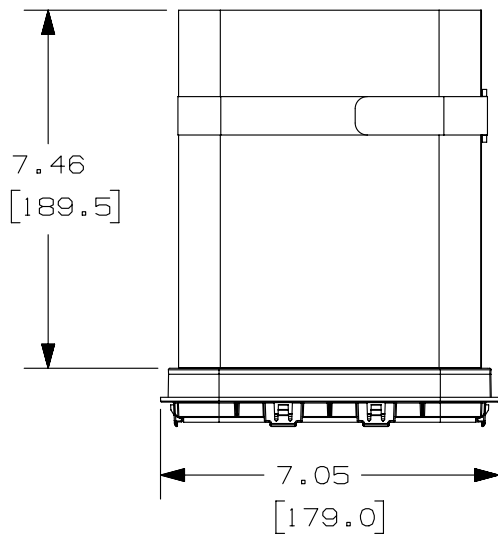
THIS COPY IS PROVIDED ON A RESTRICTED BASIS AND IS NOT TO BE USED IN ANY WAY DETRIMENTAL TO THE INTERESTS OF PANDUIT CORP.



NOTES:

1. FOR USE WITH NET-ACCESS CABINETS
2. USED TO SEAL OFF 6.5" X 6.5" CABINET TOP OPENINGS WHEN CABLES ARE ROUTED THROUGH THE TOP OF THE CABINET.†
3. FINISH COLOR: BLACK
4. DIMENSION IN PARENTHESES ARE IN METRIC

PANDUIT PART NUMBER	WEIGHT
CTGN6X6	.35 LBS/EACH 160.4 GRAMS/EACH

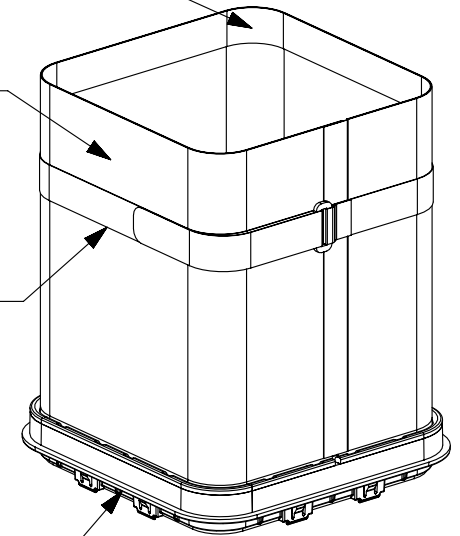


HOOK AND LOOP SEALING STRIP

AIRTIGHT FABRIC SLEEVE

ULTRA CINCH TIE

SNAP-IN BEZEL
(FOR 6.5" X 6.5" CABINET TOP OPENING)



REV	DATE	BY	CHK	APR	DESCRIPTION	ECN
1	03-12-13	SSP	DWR	RN	RELEASED TO PRODUCTION	12D308AA-DC
R	08-21-12	SSP	DWR		DRAWING RELEASED	

TITLE 6.5" X 6.5" CABLE PROTECTION BEZEL AND COOL BOOT AIR SEALING FITTING (CTGN6X6)		PANDUIT TM
CUSTOMER DRAWING		
ITEM REVISION NAME 12D308AA/00		MATERIAL: SEE NOTES ABOVE
DATASET FILE NAME 12D308AA_DC/00B CTGN6X6		
UNLESS OTHERWISE SPECIFIED, DIMENSIONAL TOLERANCES ARE: IN (mm) .X ± .XXX ± .XX ± .03 [.8] ANGLES ±		DRAWING NUMBER: 12D308AA-DC
THIRD ANGLE PROJECTION		
DRAWN BY SSP	DATE 08-21-12	CHK DWR
SCALE NONE		SIZE A
SHT 1 OF 1		

D10100DA/12