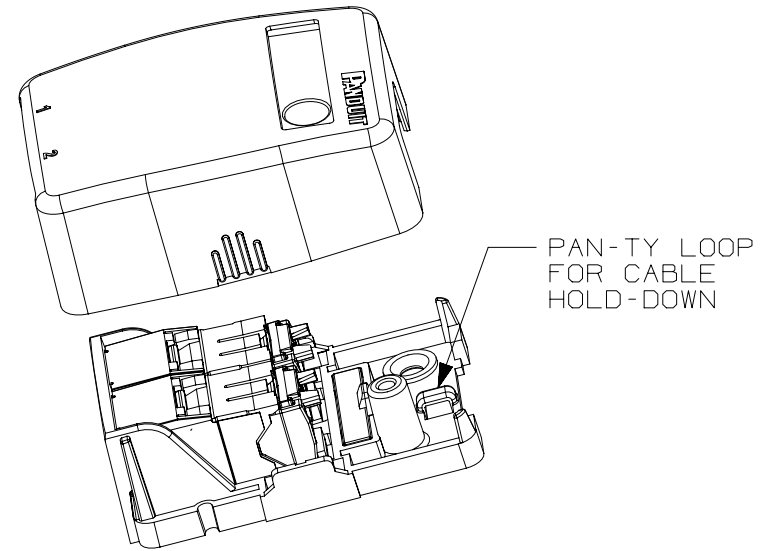
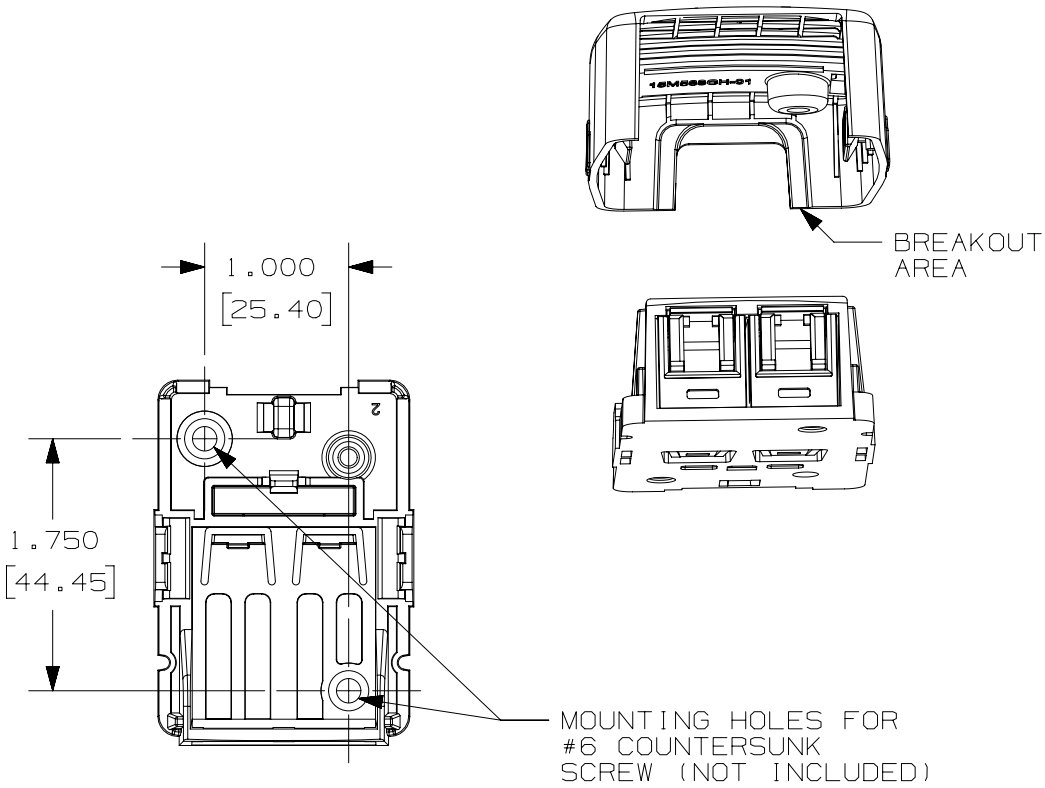


THIS COPY IS PROVIDED ON A RESTRICTED BASIS AND IS NOT TO BE USED IN ANY WAY DETRIMENTAL TO THE INTERESTS OF PANDUIT CORP.



PART NUMBER					SEE TABLE							
TITLE												
MINI-COM 2 PORT SHUTTERED CAT 6A SURFACE MOUNT BOX KIT												
CUSTOMER DRAWING												
ITEM REVISION NAME					15M583CI/13							
DATASET FILE NAME					15M583CI_DC05/13A							
UNLESS OTHERWISE SPECIFIED, DIMENSIONAL TOLERANCES ARE: IN (mm)												
.X ±					.XXX ±							
.XX ±					ANGLES ±							
					THIRD ANGLE PROJECTION							
DRAWING NUMBER:												
15M583CI-05												
REV	DATE	BY	CHK	APR	DESCRIPTION	ECN	DRAWN BY	DATE	CHK	SCALE	SHT 2 OF 2	SIZE
1	8-09-16	MDJR	JCO	MMR	SEE SHEET 1 FOR REVISION HISTORY	15M583CI-05	BJN	4-6-16	JCO	NONE		A
R	4-11-16	BJN	JCO	MMR	SEE SHEET 1 FOR REVISION HISTORY	15M583CI-05						

D10100DA/14

2

1

2

1