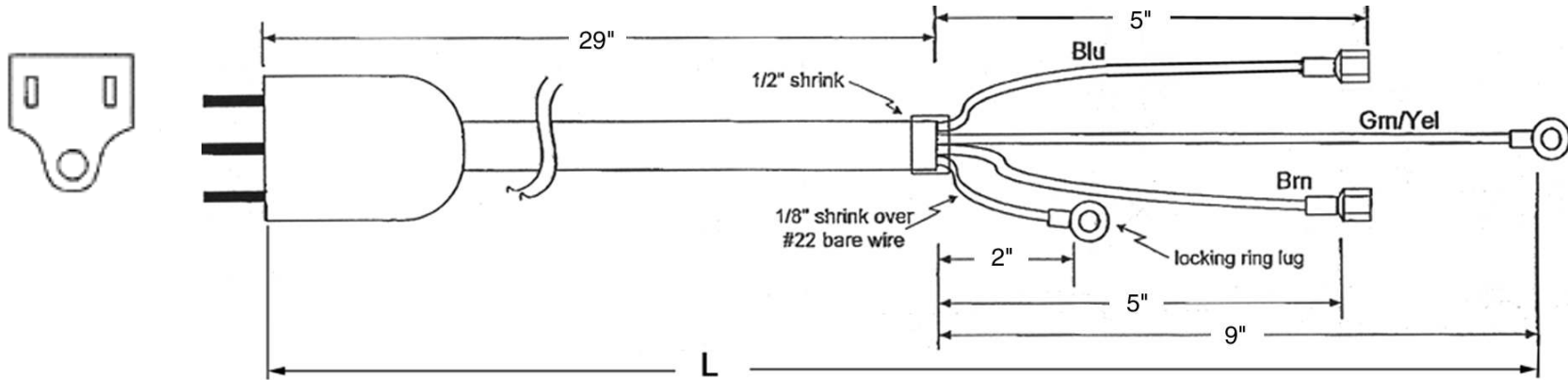


PROPRIETARY INFORMATION:
 PROPRIETARY OF GLOBTEK, INC. ANY REPRODUCTION, DISCLOSURE OR
 USE OF THIS DRAWING, IN WHOLE OR IN PART, IS HEREBY
 PROHIBITED EXCEPT AS SPECIFIED IN WRITING BY GLOBTEK, INC.

REVISION			
REV	DESCRIPTION	DATE	APPROVED
A	INITIAL RELEASE	07/17/02	BS
B	UPDATE CORDSET DIMENSIONS	07/29/02	BS
C	UPDATE CONDUCTOR TERMINATION TABLE	10/29/02	BS



GENERAL SPECIFICATIONS:

CABLE TYPE / SIZE: SJT, # 14 AWG, 3 CONDUCTOR, WITH OVERALL FOIL SHIELD AND DRAIN WIRE
 TEMPERATURE RATING: 105° C
 CONDUCTOR COLORS: BLUE / BROWN / GREEN / YELLOW
 CABLE JACKET COLOR: BLACK
 OVERALL LENGTH (L): 965 ± 50 MM (3 FT 2 INCH)
 CABLE OUTER DIAMETER: 10.0 ± 0.5 MM (0.38 IN)
 END 'A' PLUG: NEMA 5-15P
 END 'B': SEE TERMINATION TABLE
 APPROVALS PLUG: UL, CSA
 APPROVALS CABLE: UL, CSA

PACKING:

BULK PACKED, BUNDLES OF 25.
 MAXIMUM SHIPPING CARTON WEIGHT IS 30 KG.

CONDUCTOR TERMINATION TABLE:

WIRE	COLOR	ROJ ± 5 mm	RIJ ± 1 mm	TERMINAL
NEUTRAL	BLUE	127	-	Fully insulated, Faston for .032 x0.250"tab, Amp 3-520116-2 or equiv.
LINE	BROWN	127	-	Fully insulated, Faston for .032 x0.250"tab, Amp 3-520116-2 or equiv.
GROUND	GREEN/YELLOW	230	-	Ring #8 stud , insulated, Panduit PV14-8R-C or equiv.
DRAIN	BLACK/SHRINK	50	-	Locking Ring #8 stud , Amp 640204-1 or equiv.

NOTES:

1. CORD AND PLUG MUST BE MARKED WITH APPROVAL SYMBOLS AND/ OR FILE NUMBERS.



DASH NO.	PART NO	REV.	DESCRIPTION	NOTES
TABULATION BLOCK				
REV.	C			
SHEET	1			
INIT. BY: EM	DATE: 07/17/02	TOLERANCES: DECIMALS ANGULAR +/- 1° .xx +/- 0.1 .xxx +/- .005 MILLIMETERS ANGULAR +/- 1° .xx +/- 0.3 .xxx +/- .013		GlobTek, Inc. www.globtek.com 186 Veterans Dr. Northvale, NJ 07647 Tel. 201-784-1000 Fax 201.784.0111
DRAWN: NF	DATE: 07/17/02	FSCN No.: G, CC	SIZE A	
APRVD: BS	DATE: 07/17/02	SCALE: NONE	PART NO: 3011863F2DDRR	REV. C
				SHEET 1/1