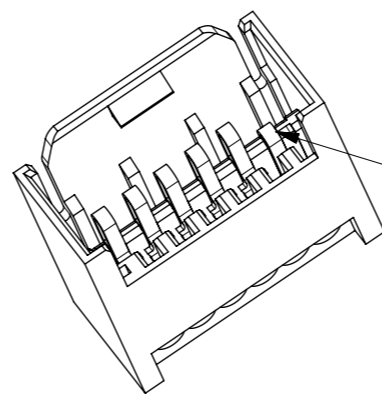
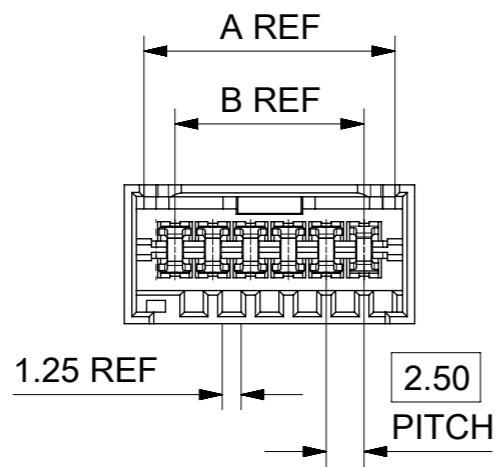
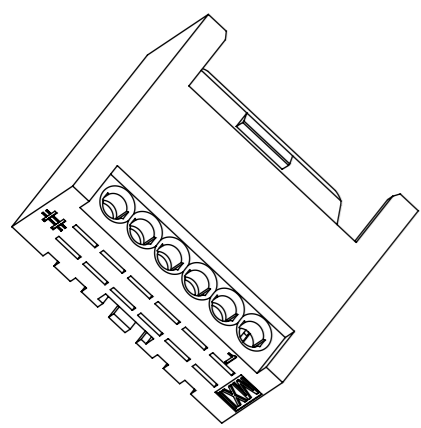


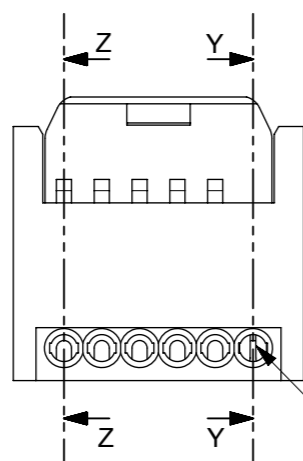
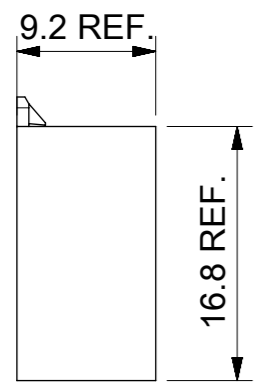
4000012329

6 CIRCUIT CONNECTOR SHOWN

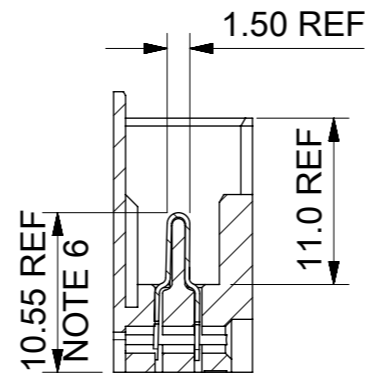
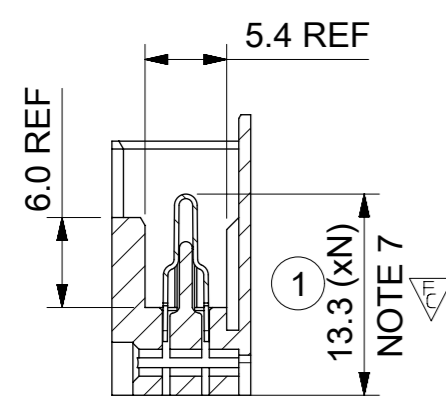
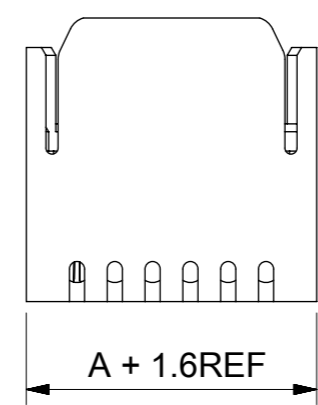
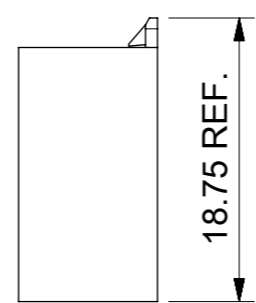


CIRCUIT 1
NOTE 6

CKT	A	B
2	7.6	2.5
3	10.1	5
4	12.6	7.5
5	15.1	10.0
6	17.6	12.5
7	20.1	15.0
8	22.6	17.5
9	25.1	20.0
10	27.6	22.5
11	30.1	25.0
12	32.6	27.5
13	35.1	30.0
14	37.6	32.5
15	40.1	35.0



CIRCUIT 1
NOTE 6



10.55 REF
NOTE 6

SECTION Z-Z

SECTION Y-Y

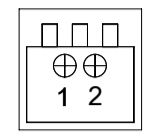
- NOTES:
- MATERIALS
HOUSING: POLYAMIDE 6 (PA6)
UL94-V2. COLOUR NATURAL
TERMINAL: COPPER ALLOY
PLATING: PRE PLATED HOT TIN DIP
 - PRODUCT CONFORMS TO SPECIFICATION PS-99020-0090.
 - MATES WITH RAST 2.5 APPLIMATE FEMALE CONNS.
 - SEE PACKAGING PK-93422-001
 - CONNECTOR DESIGNED FOR USE WITH PANEL 0.80MM TO 0.90MM THICKNESS.
 - TERMINATED HEIGHT. CIRCUIT 1 SHOWN IN TERMINATED POSITION ONLY FOR PURPOSE OF DIMENSIONING TERMINATED HEIGHT POSITION.
 - TERMINAL PRE-TERMINATED HEIGHT. N=NUMBER OF CIRCUITS.
 - SEE APPLICATION SPEC AS-99033-010.
 - CONNECTOR DESIGNED TO RAST 2.5 STANDARD.

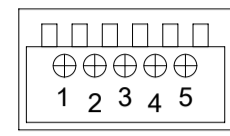
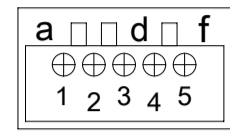
LAST INSPECTION NUMBER: 1

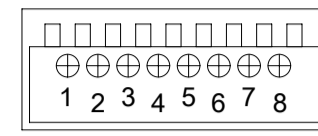
THIS DRAWING CONTAINS INFORMATION THAT IS PROPRIETARY TO MOLEX ELECTRONIC TECHNOLOGIES, LLC AND SHOULD NOT BE USED WITHOUT WRITTEN PERMISSION

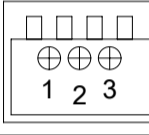
DIMENSION UNITS	SCALE	CURRENT REV DESC: ADDED NEW P/N'S SHT2	molex		
mm	2:1				
GENERAL TOLERANCES (UNLESS SPECIFIED)		EC NO: 614113	WIRE TO WIRE HEADER ASSEMBLY FLYING HEADER 2.5MM PITCH 0.22-0.38MM2 CABLE		
ANGULAR TOL	± 0.5°	DRWN: AKABADI 2019/03/20	PRODUCT CUSTOMER DRAWING		
4 PLACES	±	CHK'D: TCLEARY 2019/03/20	DOCUMENT NUMBER		
3 PLACES	±	APPR: DRYAN 2019/03/31	934240001		
2 PLACES	± 0.05	INITIAL REVISION:	DOC TYPE	DOC PART	REVISION
1 PLACE	± 0.1	DRWN: TJMURPHY 2016/03/25	PSD	000	E
0 PLACES	±	APPR: BRUTTLE 2016/06/13	SHEET NUMBER		
DRAFT WHERE APPLICABLE MUST REMAIN WITHIN DIMENSIONS	THIRD ANGLE PROJECTION	DRAWING	SERIES	MATERIAL NUMBER	CUSTOMER
		A3-SIZE	93424	SEE CHARTS	GENERAL MARKET

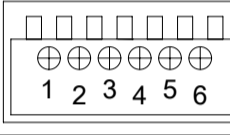
DOCUMENT STATUS	P1	RELEASE DATE	2019/03/31	12:16:47
-----------------	----	--------------	------------	----------

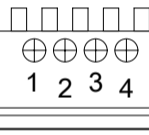
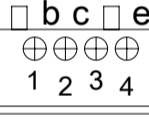
2 Circuit			
MOLEX PART NO.	MOLEX HSG PART NO.	BLOCKED POSITION KEYS	CONFIGURATION (SEE NOTES)
93424-9001	93429-0201	NONE	

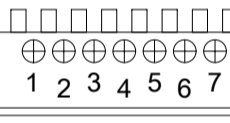
5 Circuit			
MOLEX PART NO.	MOLEX HSG PART NO.	BLOCKED POSITION KEYS	CONFIGURATION (SEE NOTES)
93424-1001	93429-0501	NONE	
93424-1002	93429-0502	a d f	

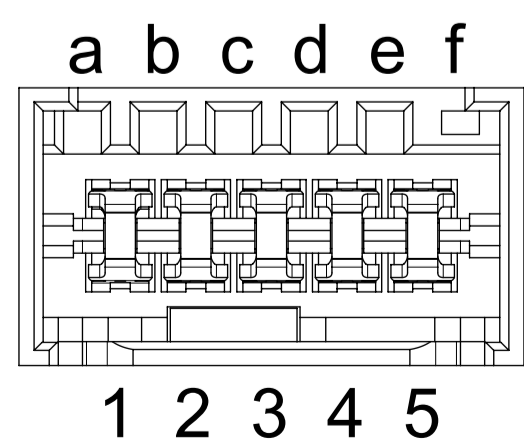
8 Circuit			
MOLEX PART NO.	MOLEX HSG PART NO.	BLOCKED POSITION KEYS	CONFIGURATION (SEE NOTES)
93424-2501	93429-0801	NONE	

3 Circuit			
MOLEX PART NO.	MOLEX HSG PART NO.	BLOCKED POSITION KEYS	CONFIGURATION (SEE NOTES)
93424-0002	93429-0301	NONE	

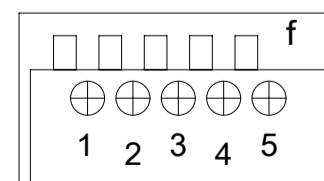
6 Circuit			
MOLEX PART NO.	MOLEX HSG PART NO.	BLOCKED POSITION KEYS	CONFIGURATION (SEE NOTES)
93424-1501	93429-0601	NONE	

4 Circuit			
MOLEX PART NO.	MOLEX HSG PART NO.	BLOCKED POSITION KEYS	CONFIGURATION (SEE NOTES)
93424-0501	93429-0401	NONE	
93424-0502	93429-0402	b c e	



7 Circuit			
MOLEX PART NO.	MOLEX HSG PART NO.	BLOCKED POSITION KEYS	CONFIGURATION (SEE NOTES)
93424-2001	93429-0701	NONE	



CODING IDENTIFICATION
(5 CKT EXAMPLE WITH
CODING KEYS D & F BLOCKED)
VIEW IN MATING DIRECTION



- NOTES:
- 1 ⊕ DENOTES LOADED TERMINAL POSITION
 - ⊕ DENOTES VOIDED TERMINAL POSITION
 - 2. MOLEX HOUSING NUMBER FOR REFERENCE ONLY

THIS DRAWING CONTAINS INFORMATION THAT IS PROPRIETARY TO MOLEX ELECTRONIC TECHNOLOGIES, LLC AND SHOULD NOT BE USED WITHOUT WRITTEN PERMISSION									
DIMENSION UNITS	SCALE	CURRENT REV DESC: ADDED NEW P/N'S SHT2							
mm	4:1								
GENERAL TOLERANCES (UNLESS SPECIFIED)		EC NO: 614113			WIRE TO WIRE HEADER ASSEMBLY FLYING HEADER 2.5MM PITCH 0.22-0.38MM2 CABLE				
ANGULAR TOL	± 0.5°	DRWN: AKABADI 2019/03/20							
4 PLACES	±	CHK'D: TCLEARY 2019/03/20			PRODUCT CUSTOMER DRAWING				
3 PLACES	±	APPR: DRYAN 2019/03/31							
2 PLACES	± 0.05	INITIAL REVISION:			DOCUMENT NUMBER: 934240001 DOC TYPE: PSD DOC PART: 000 REVISION: E				
1 PLACE	± 0.1	DRWN: TJMURPHY 2016/03/25							
0 PLACES	±	APPR: BRUTTLE 2016/06/13			MATERIAL NUMBER: SEE CHARTS CUSTOMER: GENERAL MARKET SHEET NUMBER: 2 OF 3				
DRAFT WHERE APPLICABLE MUST REMAIN WITHIN DIMENSIONS		THIRD ANGLE PROJECTION	DRAWING	SERIES					
			A1-SIZE	93424					

9 Circuit			
MOLEX PART NO.	MOLEX HSG PART NO.	BLOCKED POSITION KEYS	CONFIGURATION (SEE NOTES)
93424-3001	93429-0901	NONE	

12 Circuit			
MOLEX PART NO.	MOLEX HSG PART NO.	BLOCKED POSITION KEYS	CONFIGURATION (SEE NOTES)
93424-4501	93429-1201	NONE	

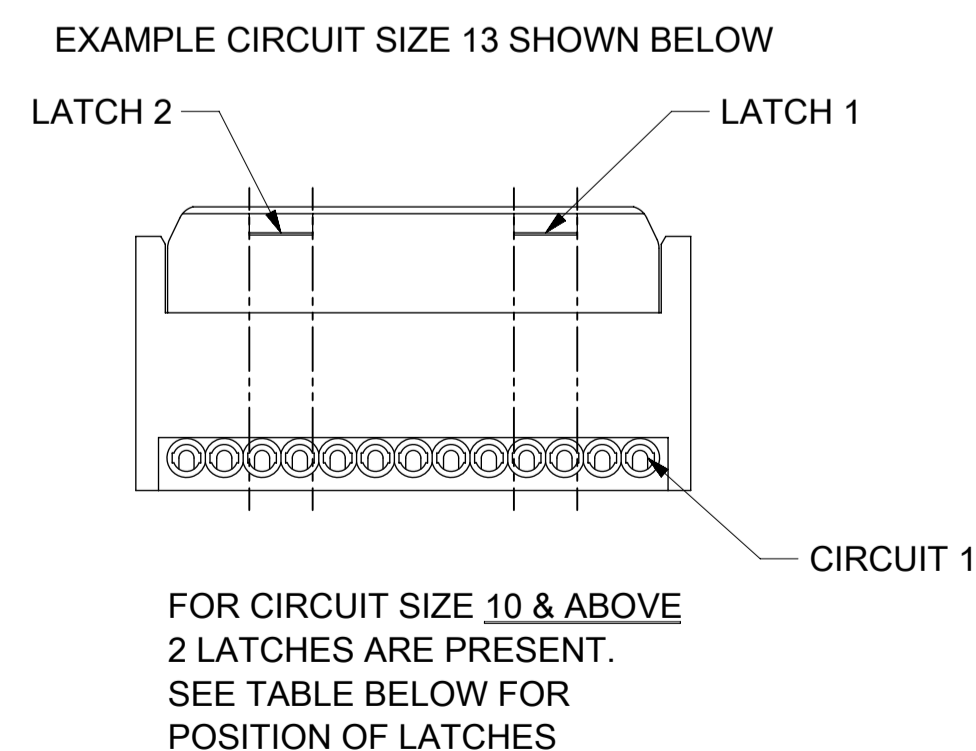
10 Circuit			
MOLEX PART NO.	MOLEX HSG PART NO.	BLOCKED POSITION KEYS	CONFIGURATION (SEE NOTES)
93424-3501	93429-1001	NONE	

13 Circuit			
MOLEX PART NO.	MOLEX HSG PART NO.	BLOCKED POSITION KEYS	CONFIGURATION (SEE NOTES)
93424-5001	93429-1301	NONE	

11 Circuit			
MOLEX PART NO.	MOLEX HSG PART NO.	BLOCKED POSITION KEYS	CONFIGURATION (SEE NOTES)
93424-4001	93429-1101	NONE	

14 Circuit			
MOLEX PART NO.	MOLEX HSG PART NO.	BLOCKED POSITION KEYS	CONFIGURATION (SEE NOTES)
93424-5501	93429-1401	NONE	

15 Circuit			
MOLEX PART NO.	MOLEX HSG PART NO.	BLOCKED POSITION KEYS	CONFIGURATION (SEE NOTES)
93424-6001	93429-1501	NONE	



LATCH 1 POSITION ACROSS CABLE CORES	LATCH 2 POSITION ACROSS CABLE CORES	CIRCUIT SIZE
4 & 5	11 & 12	15
4 & 5	10 & 11	14
3 & 4	10 & 11	13
3 & 4	9 & 10	12
3 & 4	8 & 9	11
3 & 4	7 & 8	10

- NOTES:
- ⊕ DENOTES LOADED TERMINAL POSITION
+ DENOTES VOIDED TERMINAL POSITION
 - MOLEX HOUSING NUMBER FOR REFERENCE ONLY

THIS DRAWING CONTAINS INFORMATION THAT IS PROPRIETARY TO MOLEX ELECTRONIC TECHNOLOGIES, LLC AND SHOULD NOT BE USED WITHOUT WRITTEN PERMISSION

DIMENSION UNITS mm	SCALE 2:1	CURRENT REV DESC: ADDED NEW P/N'S SHT2	molex		
GENERAL TOLERANCES (UNLESS SPECIFIED)		EC NO: 614113			
ANGULAR TOL ± 0.5°	4 PLACES ±	DRWN: AKABADI 2019/03/20	PRODUCT CUSTOMER DRAWING		
3 PLACES ±	2 PLACES ± 0.05	CHK'D: TCLEARY 2019/03/20	DOCUMENT NUMBER		
1 PLACE ± 0.1	1 PLACE ±	APPR: DRYAN 2019/03/31	DOC TYPE DOC PART REVISION		
0 PLACES ±	INITIAL REVISION:	DRWN: TJMURPHY 2016/03/25	934240001		
DRAFT WHERE APPLICABLE MUST REMAIN WITHIN DIMENSIONS	THIRD ANGLE PROJECTION	APPR: BRUTTLE 2016/06/13	PSD 000 E		
	DRAWING	SERIES	MATERIAL NUMBER	CUSTOMER	SHEET NUMBER
	A1-SIZE	93424	SEE CHARTS	GENERAL MARKET	3 OF 3