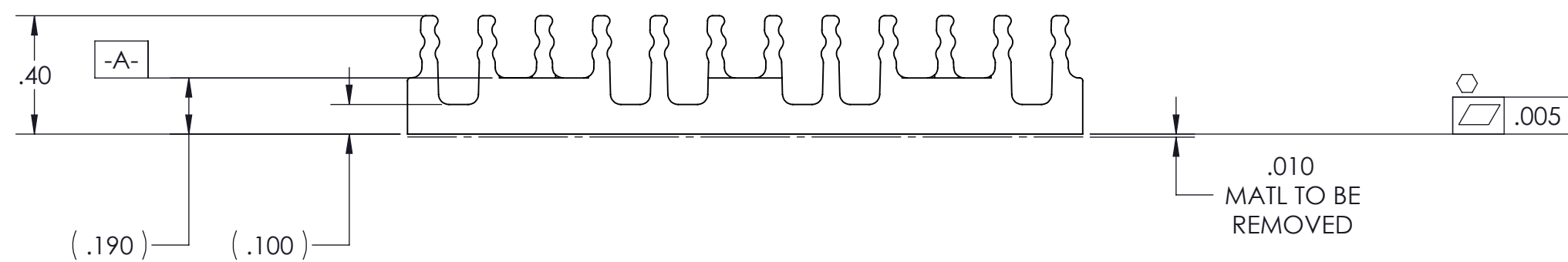
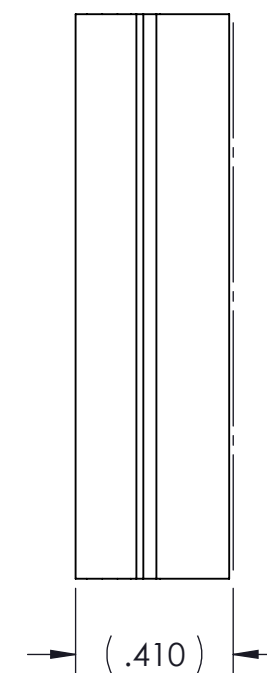
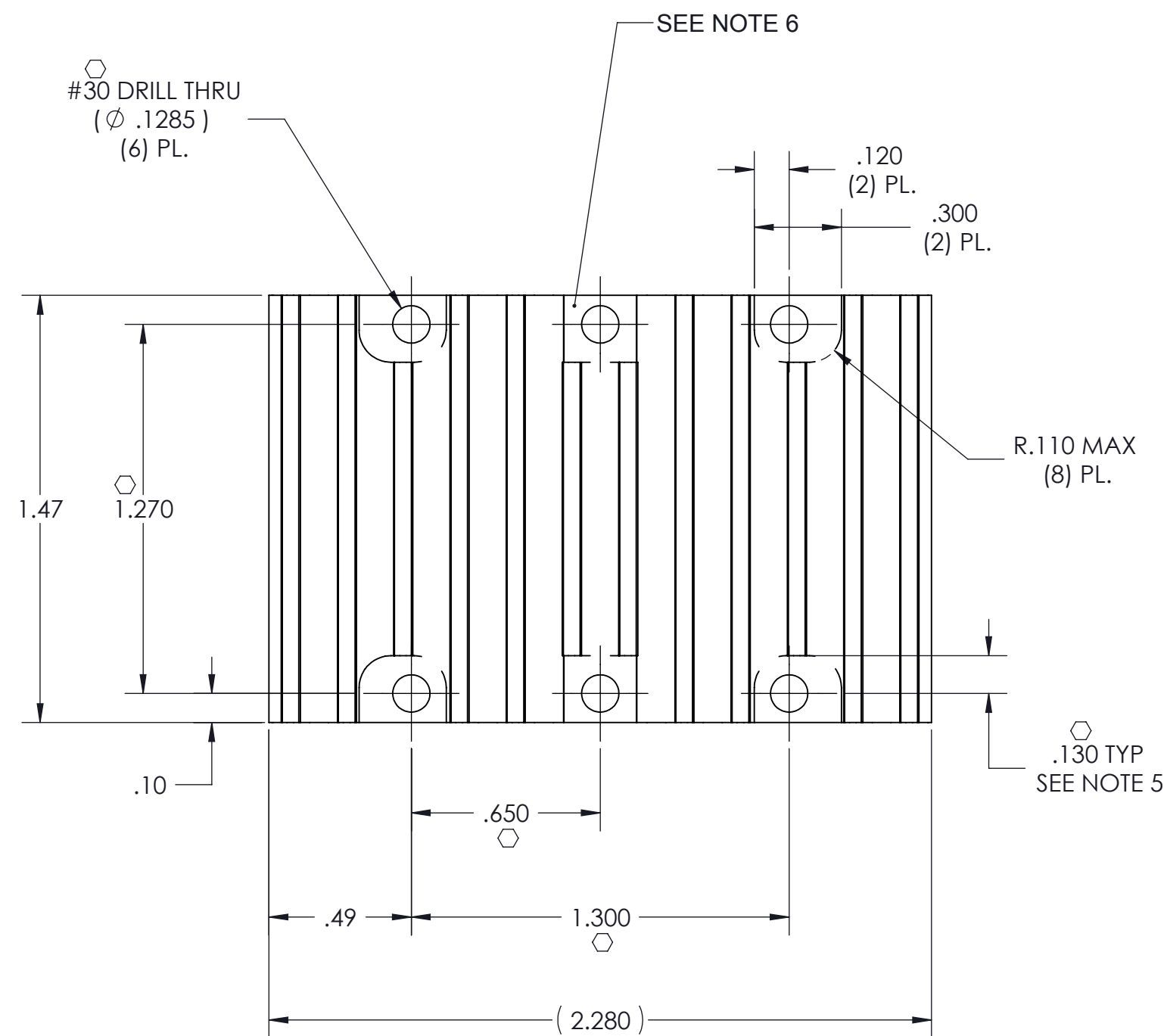


VICOR CONFIDENTIAL

THIS DOCUMENT AND THE DATA DISCLOSED HEREIN OR HEREWITH IS NOT TO BE REPRODUCED, USED OR DISCLOSED IN WHOLE OR IN PART TO ANYONE WITHOUT THE PERMISSION OF VICOR CORP.

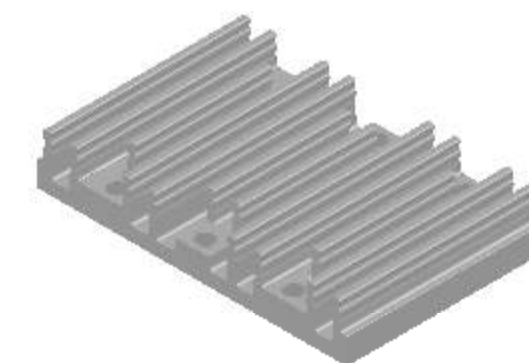
REVISIONS

REV	DESCRIPTION	DATE	APPROVED
1	RELEASED PER E053437	LEK 11/15/05	EF
2	DRAWN FOR DEVELOPMENT	JS 08/19/09	REJH
3	REDRAWN PER E100902	DCS 7/14/10	KUK



NOTES:

1. MATERIAL: EXTRUSION SEE SHEET 2 OF 2
2. REMOVE ALL BURRS AND SHARP EDGES.
3. CLEAR FINISH, RoHS COMPLIANT, CHROMIUM FREE PER CST-0001 LATEST REVISION.
4. "○" DENOTES CRITICAL CHARACTERISTIC FOR LOT INSPECTION.
5. DIMENSIONS APPLIES AT SURFACE -A- (2) PL.
6. MACHINED SURFACE TO BE .010 MAX BELOW SURFACE -A- (6) PL.
7. DIMENSIONS ARE INCHES ONLY.



DRAWN	DATE			
D.P.KELLY	09/05			
MATERIAL	UNLESS OTHERWISE SPECIFIED DIMENSIONS ARE INCH [MM] TOLERANCES ARE: DECIMALS ANGLES X.XX [X.X] = ±0.01 [0.25] ±1° X.XXX [X.XX] = ±0.005 [0.127]	HS CFG "C" X-FLOW, .4H LOW FLOW, THRU HOLE		
FINISH	THIRD ANGLE PROJECTION DO NOT SCALE DRAWING			
SIZE	CAGE CODE	DWG NO	REV	
C	67131	30722	3	
SCALE 2 : 1			SHEET 1 OF 2	

8

7

6

5

4

3

2

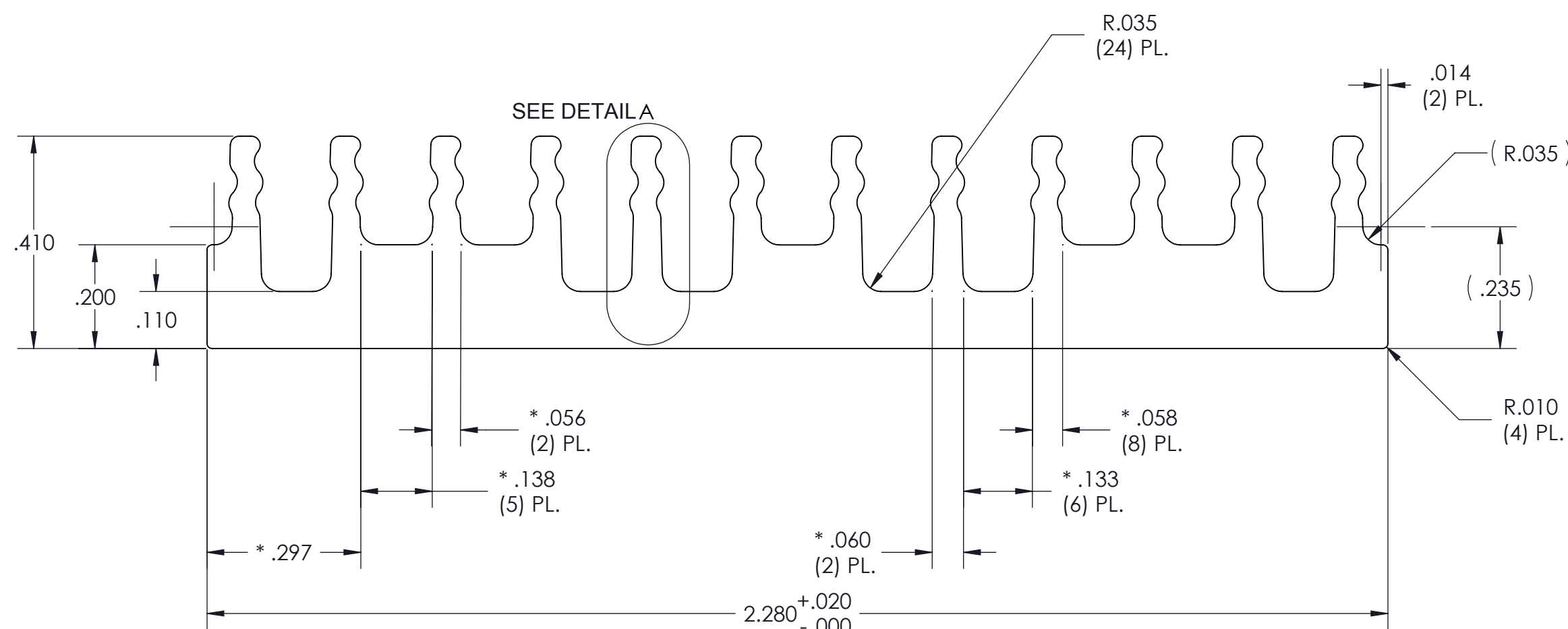
1

VICOR CONFIDENTIAL

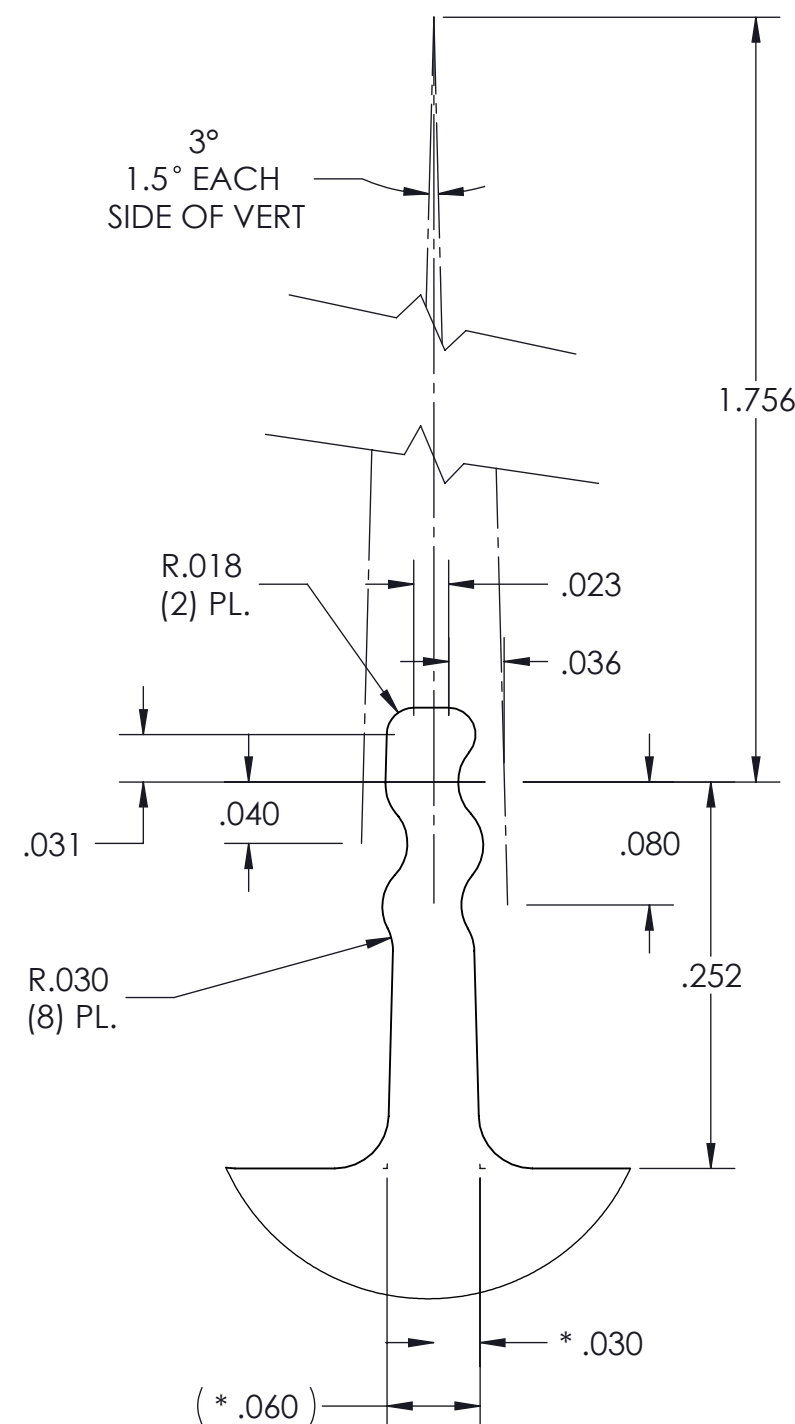
THIS DOCUMENT AND THE DATA DISCLOSED HEREIN OR HEREWITH IS NOT TO BE REPRODUCED, USED OR DISCLOSED IN WHOLE OR IN PART TO ANYONE WITHOUT THE PERMISSION OF VICOR CORP.

REVISIONS

REV	DESCRIPTION	DATE	APPROVED
	SEE SHEET 1 OF 2		



SEE DETAIL A



DETAIL A
SCALE 8 : 1
TYP

PROFILE COMMON FOR
30722
32173
30721
30184

NOTES:

- MATL: ALUMINUM 6063-T5
- *DENOTES DIMENSIONS TO THEORETICAL SHARP CORNER
- ALL DIMENSIONS ARE CRITICAL CHARACTERISTICS.
- RoHS COMPLIANT PER CST-0001 LATEST REVISION.
- WORKMANSHIP STANDARDS WS-0004, WS-0006 AND WS-0007 APPLY TO THIS PART.
- DIMENSIONS ARE INCHES ONLY.

DRAWN	DATE	VICOR SWD			
JSARIPPELLA	08/19/09				
MATERIAL	UNLESS OTHERWISE SPECIFIED DIMENSIONS ARE INCH [MM] TOLERANCES ARE: DECIMALS ANGLES X.XX [X.X] = ±0.01 [0.25] ±1° X.XXX [X.XX] = ±0.005 [0.127]	HS CFG "C" X-FLOW, .4H, LOW FLOW, THRU HOLE, EXTRUSION			
SEE NOTES		SIZE	CAGE CODE	DWG NO	REV
FINISH	THIRD ANGLE PROJECTION	C	67131	30722	3
SEE NOTES	DO NOT SCALE DRAWING	SCALE 4 : 1		SHEET 2 OF 2	