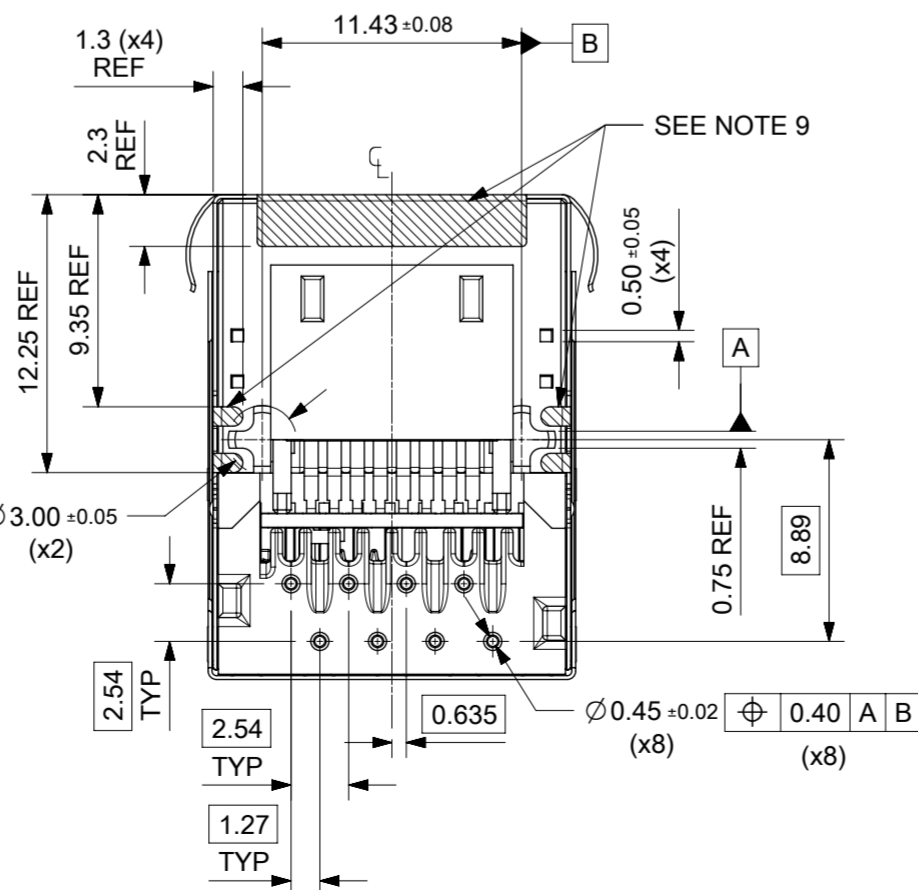
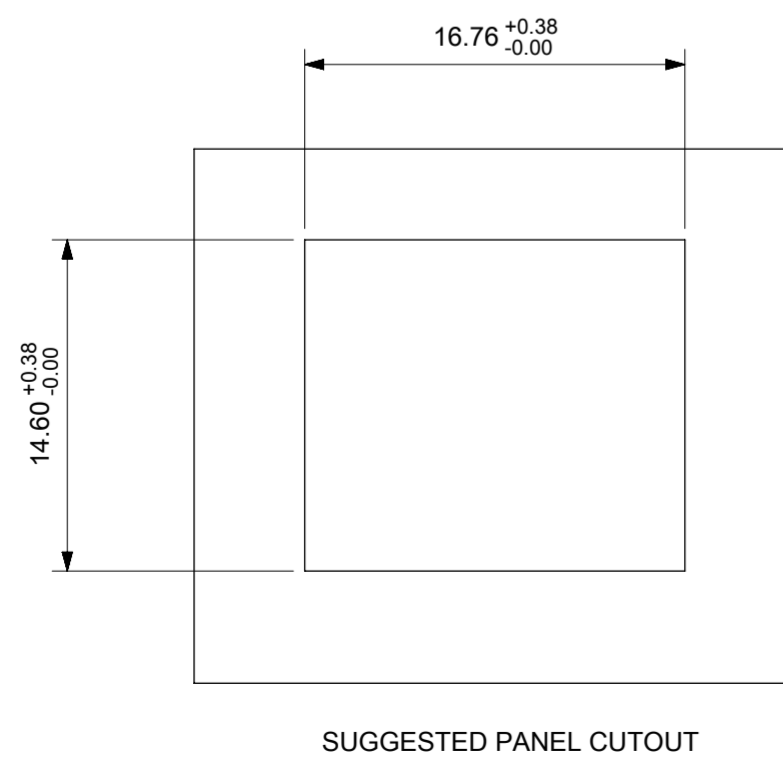
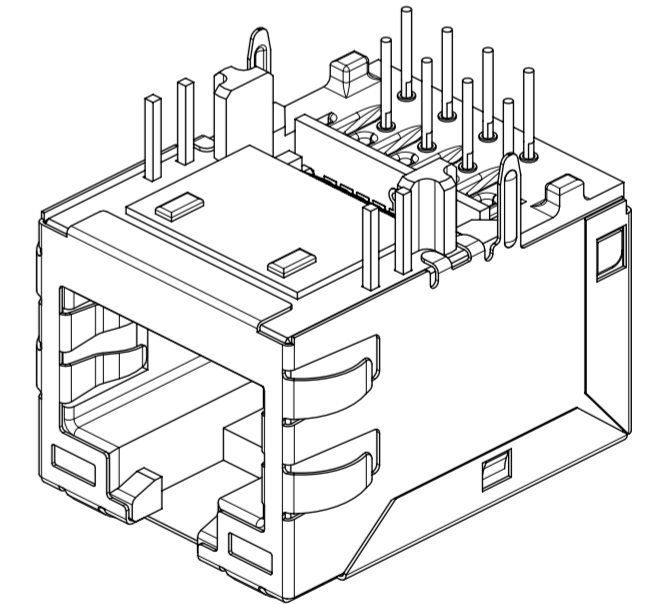
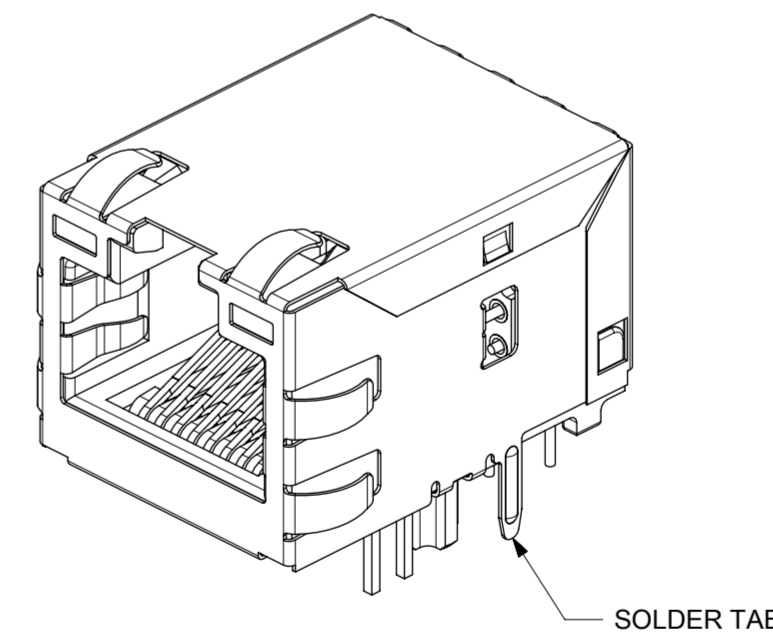
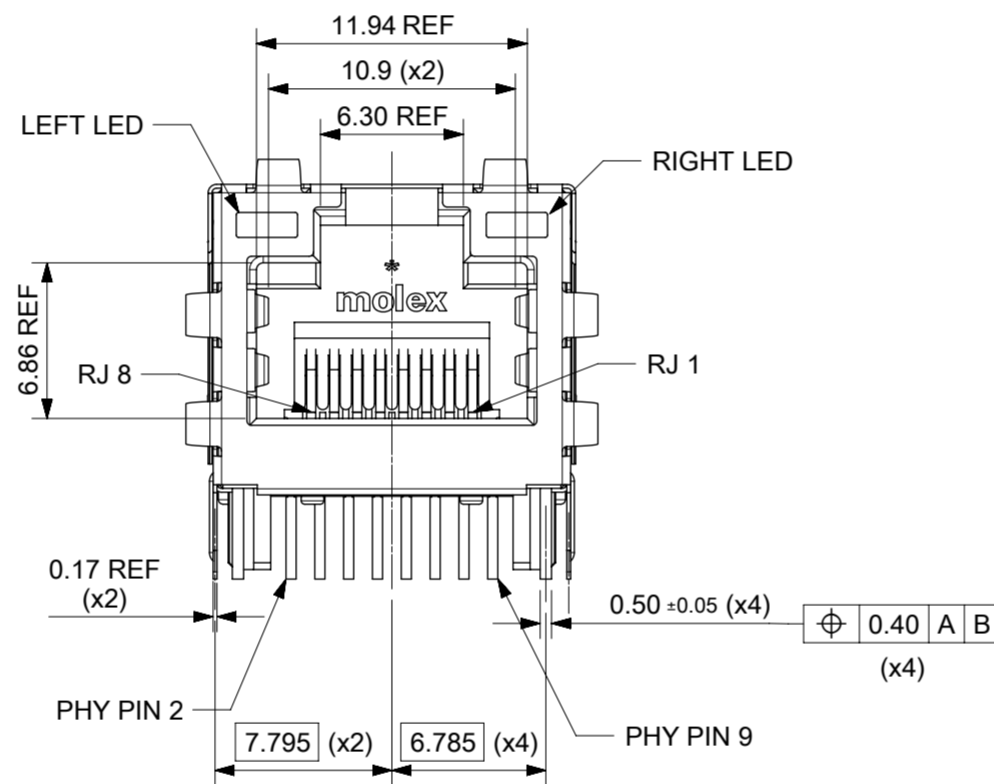
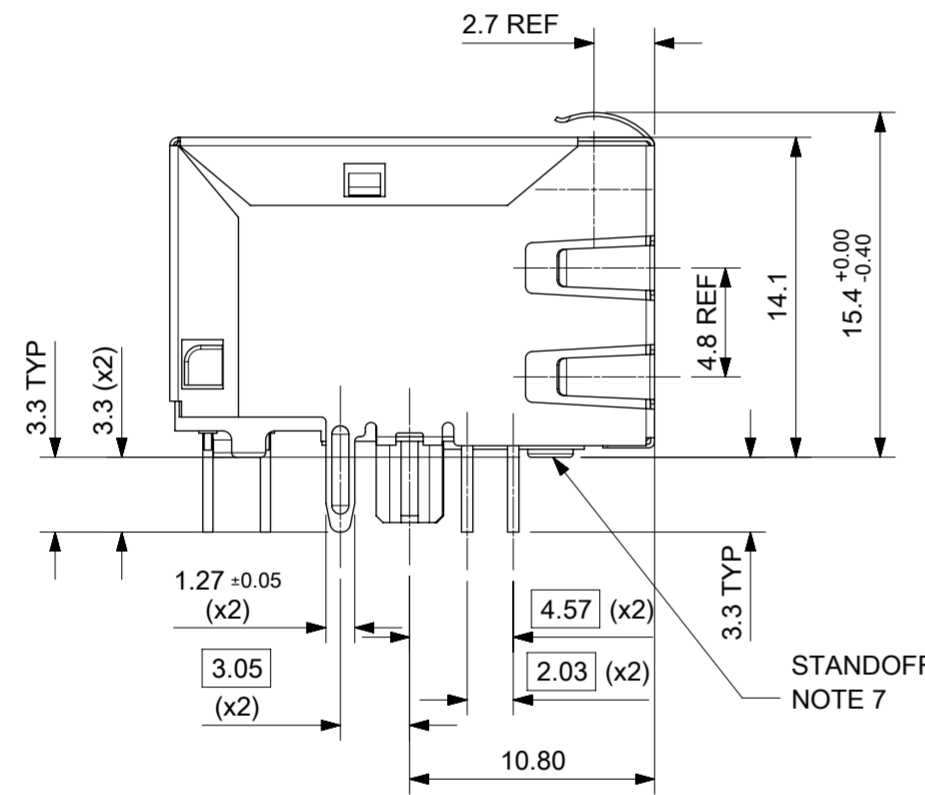
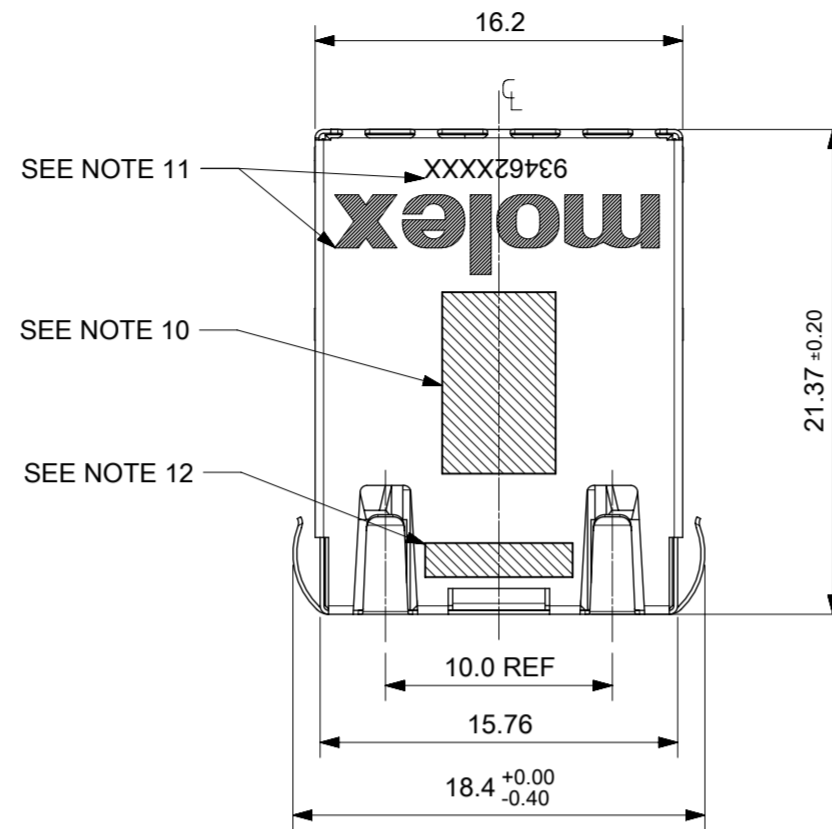
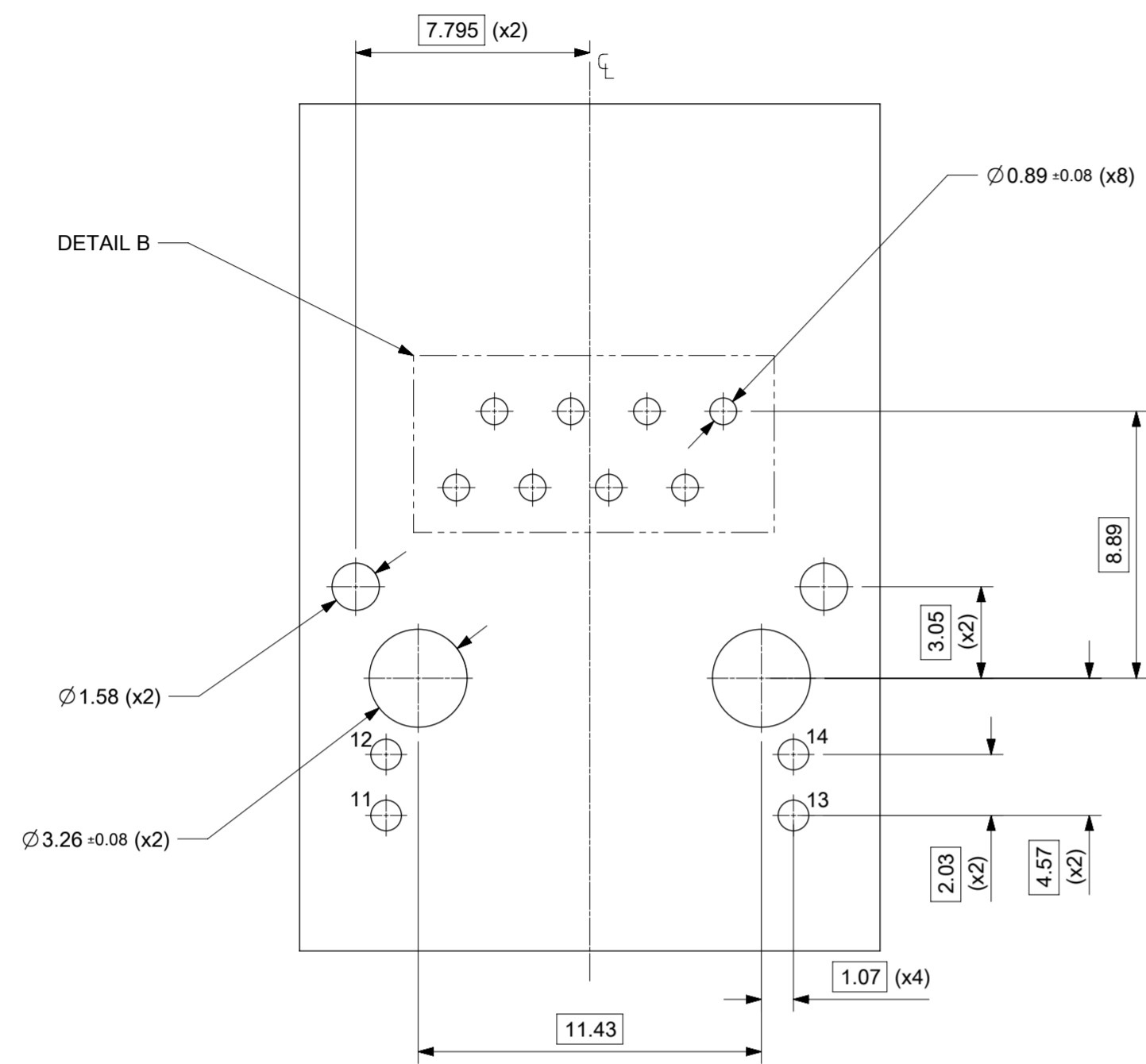


INVERTED PROFILE MAGNETIC JACK  
FAST ETHERNET W/SHIELD TABS  
& W/LEDS

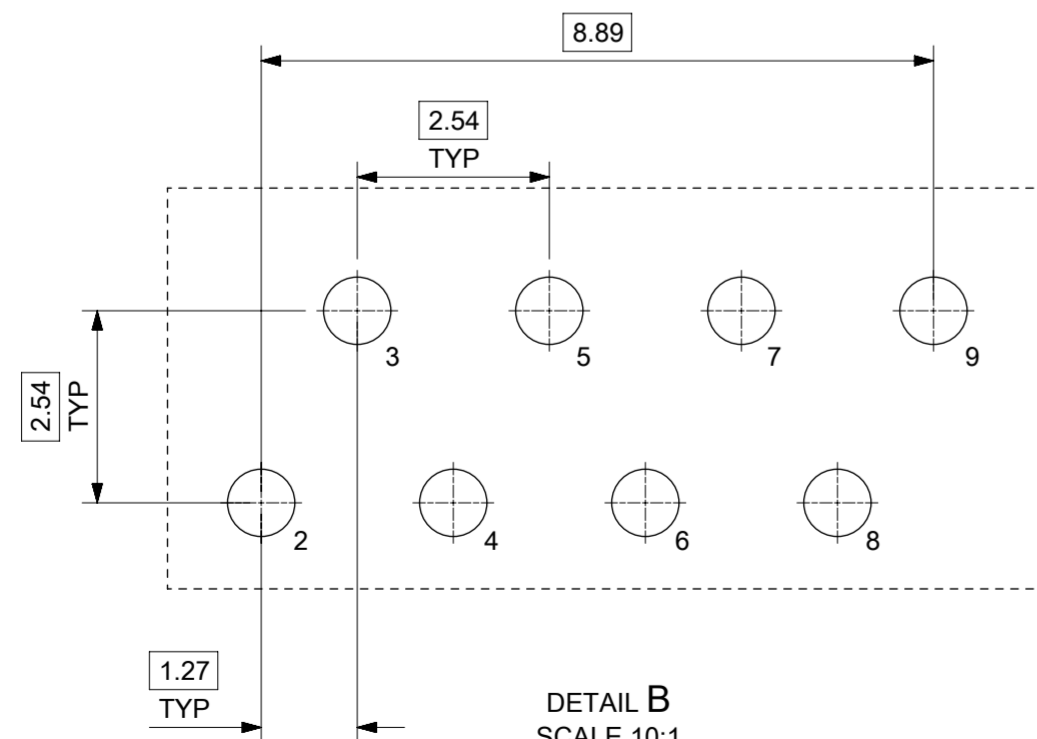


- NOTES:
- SHIELD MATERIAL: 0.17 mm THICK BRASS PRE-PLATED WITH NICKEL  
SOLDER TABS POST DIPPED WITH MIN. 1.27 μm TIN
  - HOUSING MATERIAL: LCP, BLACK, UL 94V-0
  - TERMINALS MATERIAL: PHOSPHOR BRONZE  
RJ45 CONTACTS PLATING: BASE NICKEL PLATED WITH GOLD  
FLASH OVER PALLADIUM NICKEL. REFER TO 934620001 PSP  
PHY SOLDER TAILS: COPPER ALLOY
  - MATING INTERFACE ACCORDING TO IEC 60603-7 & TIA-1096-A
  - PRODUCT SPECIFICATION: 934620001 PSP
  - PACKAGING SPECIFICATION: 934620001 PSK - TRAY
  - STAND OFF TO SYSTEM BOARD 0.30 mm MIN
  - RECOMMENDED PCB THICKNESS: 1.57 mm
  - SHIELD: AVOID ROUTING TRACES  
OR PLACING ANY VIAS BELOW THESE AREAS
  - AREA FOR PICK AND PLACE: 5.0 mm X 8.0 mm
  - INSCRIPTION MARKED BY LASER:  
1st: MOLEX  
2nd: P/N (SEE BOM)
  - INSCRIPTION MARKED BY LASER:  
DATE CODE (DAY/WEEK/YEAR)
  - MATERIAL COMPLIANT TO RoHS DIRECTIVE 2002/95/EC

FUNCTIONAL SYMBOLS	THIS DRAWING CONTAINS INFORMATION THAT IS PROPRIETARY TO MOLEX ELECTRONIC TECHNOLOGIES, LLC AND SHOULD NOT BE USED WITHOUT WRITTEN PERMISSION					
	DIMENSION UNITS	SCALE				
FA = 0	mm	3:1	EC NO: 721941		2022/09/20	
FC = 0	GENERAL TOLERANCES (UNLESS SPECIFIED)		DRWN: FAYEW		2022/09/20	
FP = 0	ANGULAR TOL ± 2.0°		CHK'D: KLANG		2022/09/20	
DIVISIONAL SYMBOLS	4 PLACES ±	APPR: KLANG		2022/09/20		
	3 PLACES ±	INITIAL REVISION:				
	2 PLACES ± 0.1	DRWN: KREILLY		2016/01/26		
	1 PLACE ± 0.2	APPR: STGRIFFIN		2016/09/26		
0 PLACES ±	DRAFT WHERE APPLICABLE MUST REMAIN WITHIN DIMENSIONS		THIRD ANGLE PROJECTION	DRAWING	SERIES	
				A2-SIZE	93462	
DOCUMENT NUMBER			DOC TYPE	DOC PART	REVISION	
934620003			PSD	000	C1	
MATERIAL NUMBER			CUSTOMER		SHEET NUMBER	
SEE TABLE ON SHEET 2					1 OF 3	



SUGGESTED BOARD LAYOUT  
FAST ETHERNET VERSION  
COMPONENT SIDE  
ALL DIMS REFERENCE DIMS



DETAIL B  
SCALE 10:1  
PIN CONFIGURATION  
FOR FAST ETHERNET VERSION

PART NUMBER	LEFT LED	RIGHT LED
934628406	GREEN	YELLOW

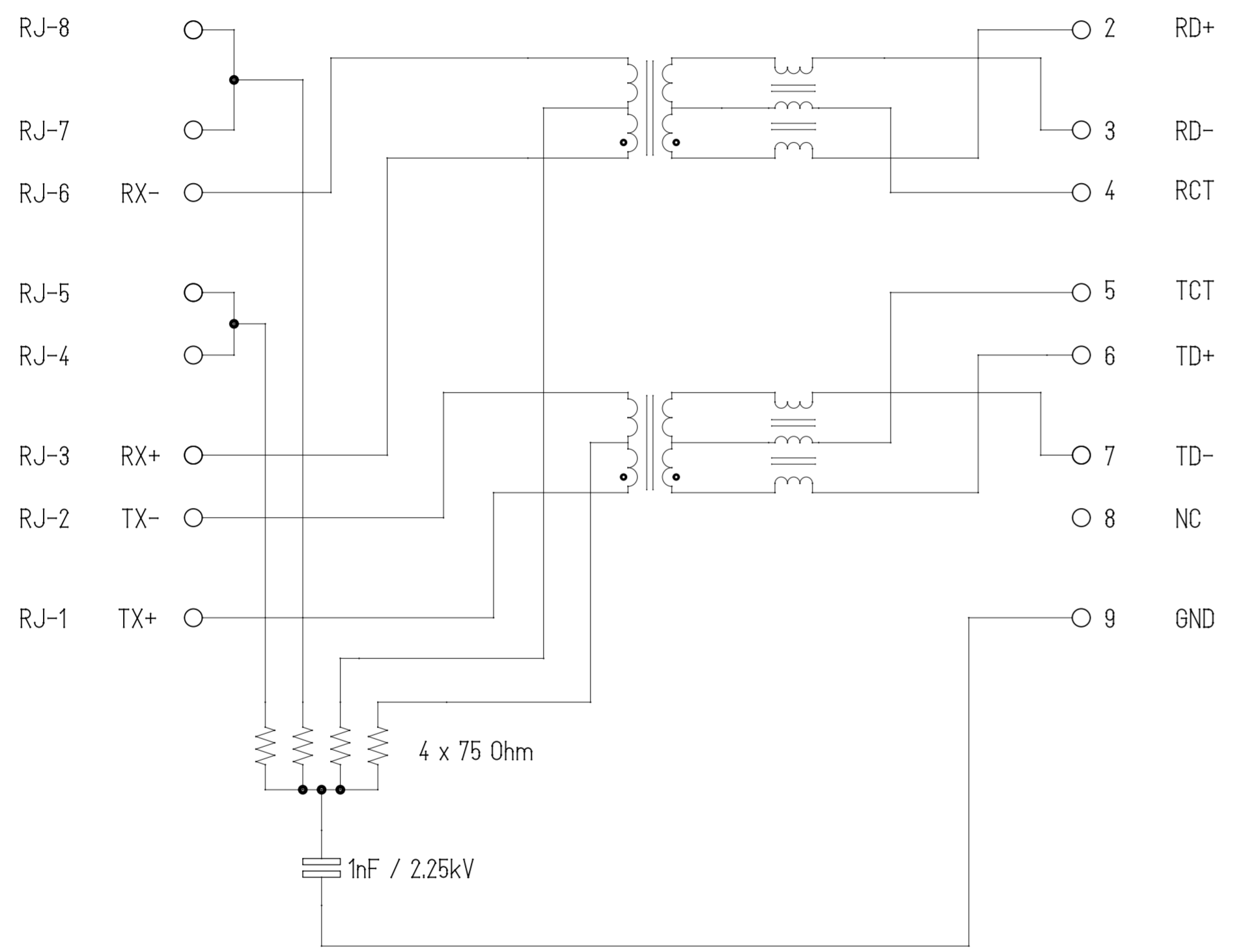
FUNCTIONAL SYMBOLS	THIS DRAWING CONTAINS INFORMATION THAT IS PROPRIETARY TO MOLEX ELECTRONIC TECHNOLOGIES, LLC AND SHOULD NOT BE USED WITHOUT WRITTEN PERMISSION							
	DIMENSION UNITS	SCALE	CURRENT REV DESC: REVISED TO GENERAL MARKET					
$\nabla_A = 0$	mm	5:1	GENERAL TOLERANCES (UNLESS SPECIFIED)					<b>INV MX-MAG 4 CORE FE W/SHIELD TABS</b>
$\nabla_C = 0$	ANGULAR TOL ± 2.0°		EC NO: 721941				<b>PRODUCT CUSTOMER DRAWING</b>	
$\nabla_P = 0$	4 PLACES ±	3 PLACES ±	DRWN: FAYEW 2022/09/20					
DIVISIONAL SYMBOLS	2 PLACES ± 0.1	CHK'D: KLANG 2022/09/20				<b>934620003</b>	DOC TYPE   DOC PART   REVISION PSD   000   C1	
	1 PLACE ± 0.2	APPR: KLANG 2022/09/20						
	0 PLACES ±	INITIAL REVISION:						
	DRAFT WHERE APPLICABLE MUST REMAIN WITHIN DIMENSIONS		THIRD ANGLE PROJECTION		DRAWING			SERIES
				A2-SIZE	93462	SEE TABLE		2 OF 3

DOCUMENT STATUS	P1	RELEASE DATE	2022/09/20	13:41:23
-----------------	----	--------------	------------	----------

WIRE-SIDE / RJ-45

ETHERNET MAGNETICS

PHY-SIDE / PCB SIDE

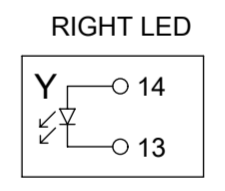
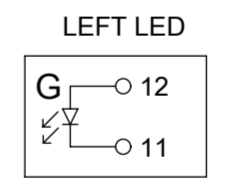


Description	Value	
OCL @100 kHz, 0.1 V 8 mA DC bias (-40°C to +85°C)	350 μH min.	
Turns ratio	1CT:1CT	
Transmission characteristics @ 25°C, all four pairs		
Insertion Loss		
Frequency f, (MHz)	Limits (dB max.)	Typical Values (dB max.)
1.0-9.9	0.4+0.1*log(f)	0.5 @ 10 MHz
10-49.9	0.5+0.3*log(f/10)	0.7 @ 50 MHz
50-79.9	1+1.4*log(f/80)	1.0 @ 80 MHz
80-100	1.3+3*log(f/100)	1.3 @ 100 MHz
Return Loss		
Frequency f, (MHz)	Limits (dB min.)	Typical Values (dB min.)
1.0-39.9	18	18 @ 40 MHz
40-100	12-20*log(f/80)	10 @ 100 MHz
CMR		
Frequency f, (MHz)	Limits (dB min.)	Typical Values (dB min.)
1.0-100	30	30 @ 100 MHz
Next		
Frequency f, (MHz)	Limits (dB min.)	Typical Values (dB min.)
1.0-39.9	35	35 @ 40 MHz
40-100	33-20*log(f/50)	27 @ 100 MHz
Isolation PHY to wire side	2.25 kVDC/60sec	

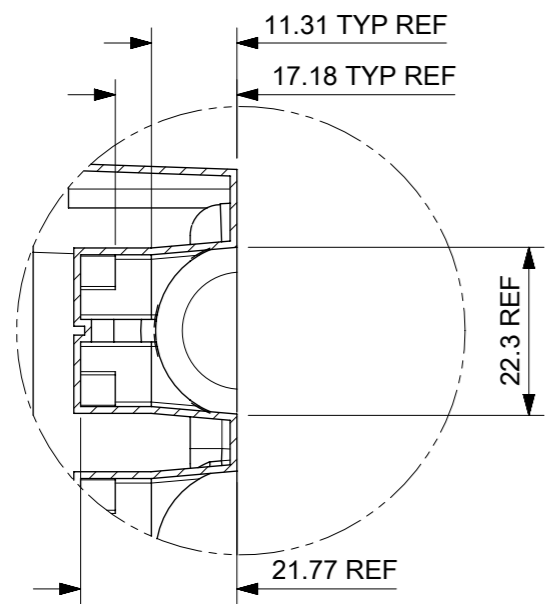
RJ-45 CONTACTS

ETHERNET TERMINALS

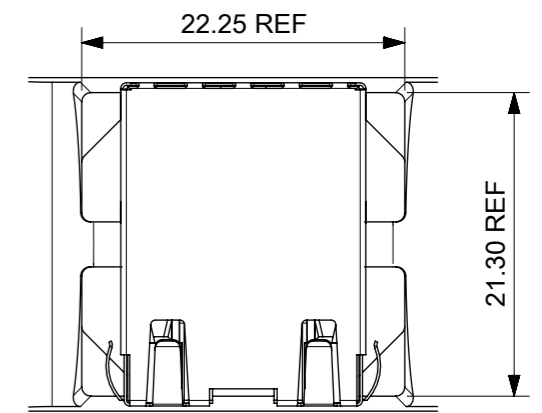
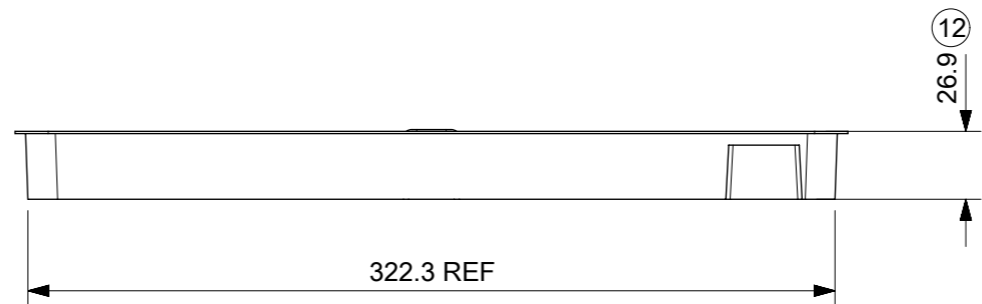
////// Shield



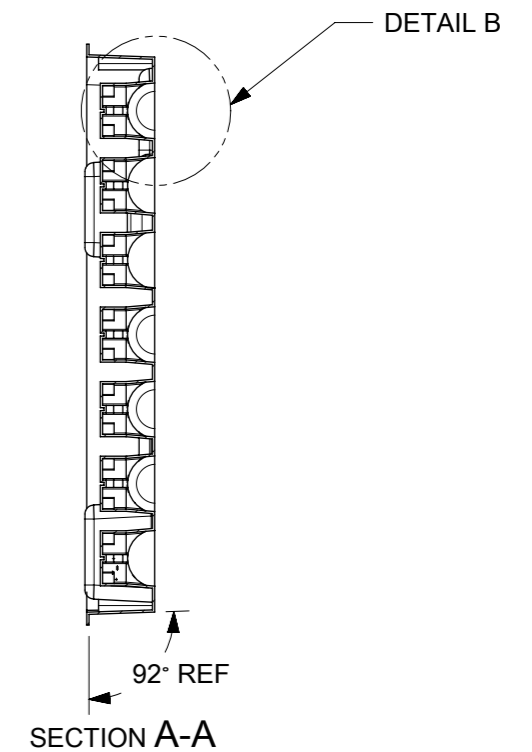
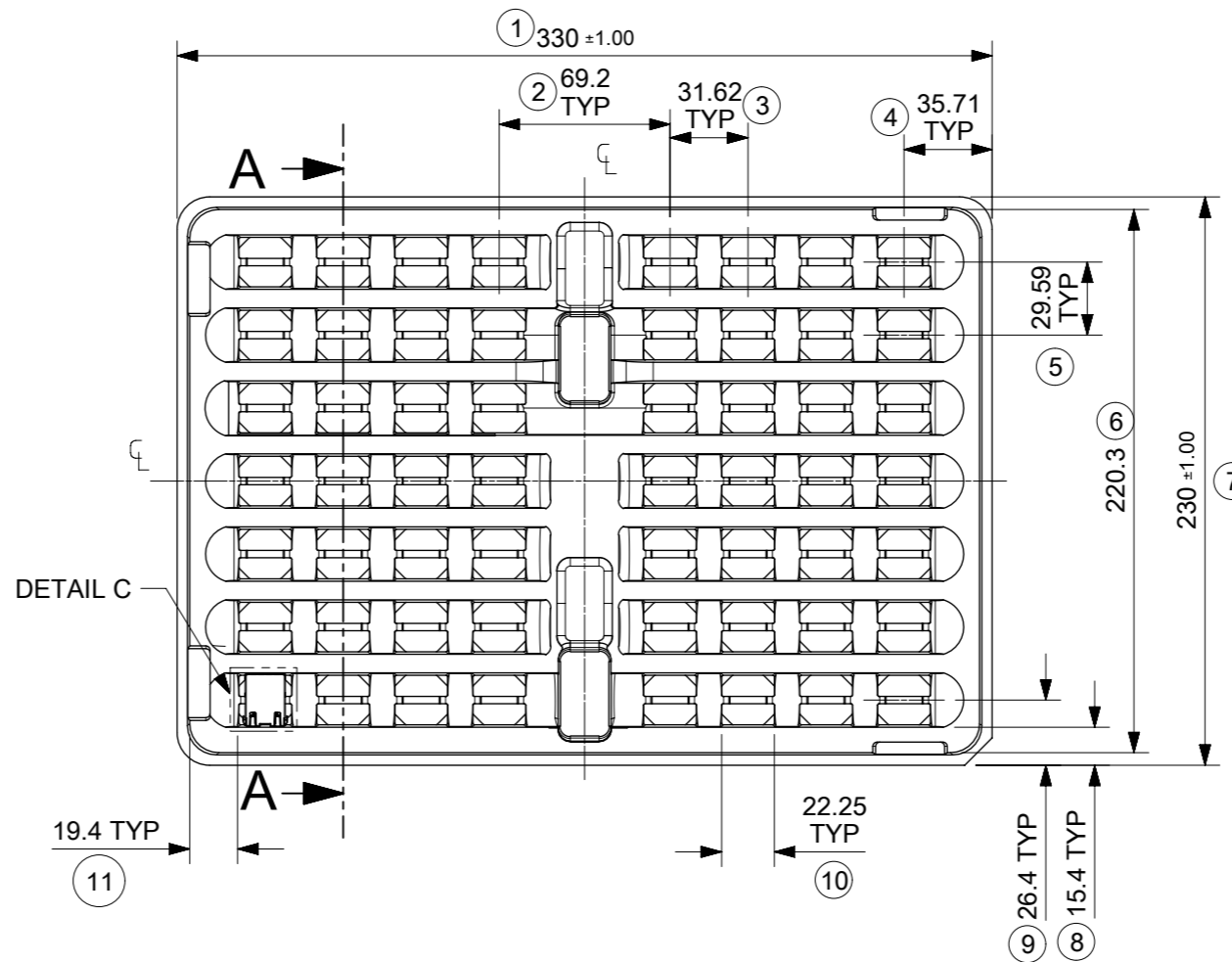
FUNCTIONAL SYMBOLS FA = 0 FC = 0 FP = 0	THIS DRAWING CONTAINS INFORMATION THAT IS PROPRIETARY TO MOLEX ELECTRONIC TECHNOLOGIES, LLC AND SHOULD NOT BE USED WITHOUT WRITTEN PERMISSION					
	DIMENSION UNITS	SCALE				
	mm	1:1	GENERAL TOLERANCES (UNLESS SPECIFIED)		INV MX-MAG 4 CORE FE W/SHIELD TABS	
	ANGULAR TOL ± 2.0°		4 PLACES ±		PRODUCT CUSTOMER DRAWING	
3 PLACES ±		EC NO: 721941		DOCUMENT NUMBER		
2 PLACES ± 0.1		DRWN: FAYEW 2022/09/20		934620003		
1 PLACE ± 0.2		CHK'D: KLANG 2022/09/20		DOC TYPE   DOC PART   REVISION		
0 PLACES ±		APPR: KLANG 2022/09/20		PSD   000   C1		
DRAFT WHERE APPLICABLE MUST REMAIN WITHIN DIMENSIONS		INITIAL REVISION:		MATERIAL NUMBER		
THIRD ANGLE PROJECTION		DRWN: KREILLY 2016/01/26		CUSTOMER		
DRAWING		APPR: STGRIFFIN 2016/09/26		SHEET NUMBER		
A2-SIZE		SERIES		3 OF 3		
93462		SEE TABLE ON SHEET 2				



DETAIL B



DETAIL C  
SCALE 2:1

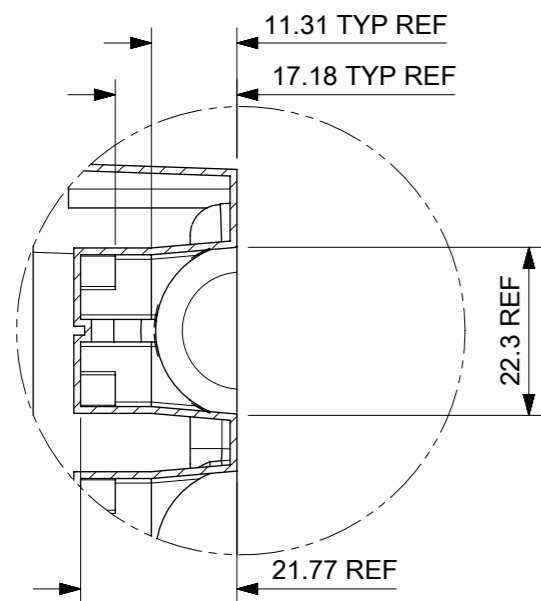


NOTES:

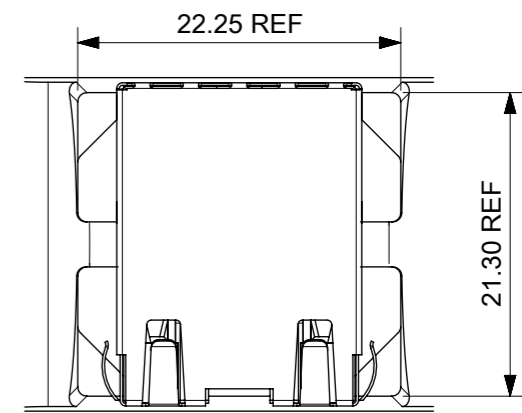
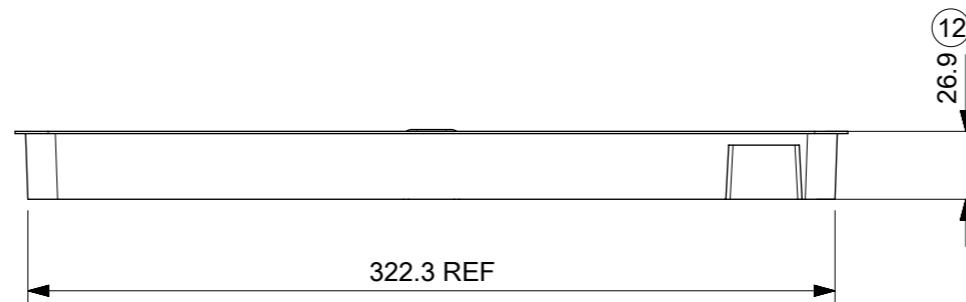
1. MATERIAL: PETA ANTISTATIC
2. THICKNESS: 0.9 mm ± 0.05 mm
3. COLOUR: CLEAR
4. BOW 2 mm MAXIMUM PER 330 mm
5. TWIST 2 mm MAXIMUM PER 330 mm
6. TRAY PART NO. AND RECYCLE LOGO TO BE CLEARLY MARKED ON TRAY  
RECYCLE LOGO SHOULD BE APPROPRIATE TO MATERIAL USED
7. WHERE RELEVANT, DIMENSIONS SHOULD BE SYMMETRICAL ABOUT THE CENTRELINE
8. GENERAL PROFILE TOLERANCE  $\overline{\cup}$  0.40 ON NON DIMENSIONED FEATURES

LAST INSPECTION NUMBER USED: 12

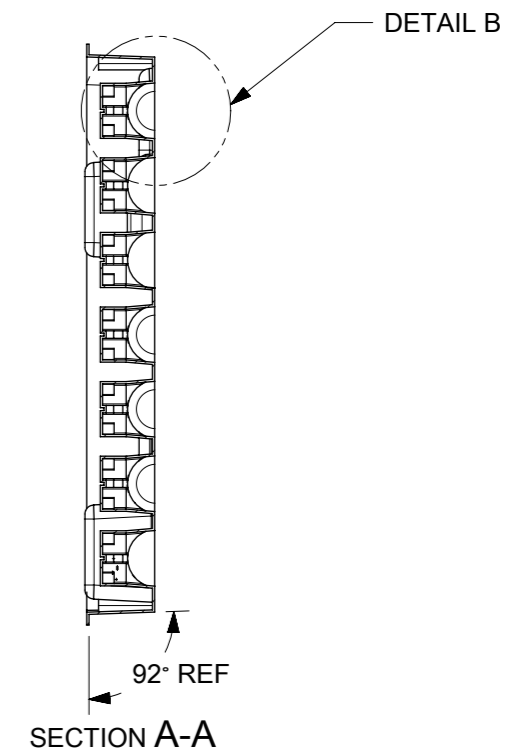
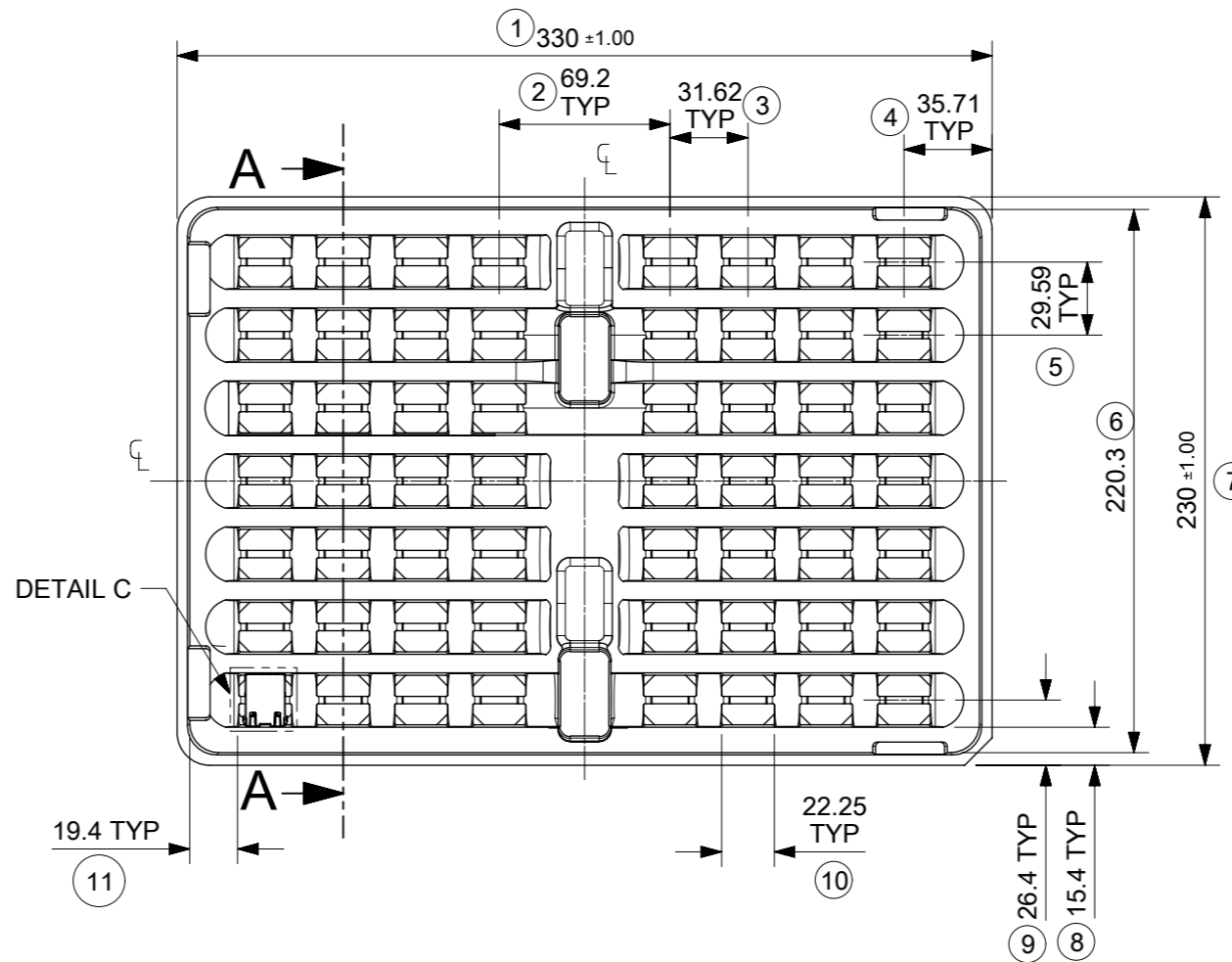
THIS DRAWING CONTAINS INFORMATION THAT IS PROPRIETARY TO MOLEX ELECTRONIC TECHNOLOGIES, LLC AND SHOULD NOT BE USED WITHOUT WRITTEN PERMISSION									
DIMENSION UNITS		SCALE		CURRENT REV DESC: REMOVED REFERENCE TO QUANTITY OF TRAYS PER STACK				<b>molex</b>	
mm		1:3							
GENERAL TOLERANCES (UNLESS SPECIFIED)				EC NO: 602124				MXMAG STANDARD AND INVERTED TRAY	
ANGULAR TOL ± 1.0°				DRWN: DSHEA		2018/09/07			
4 PLACES ±				CHK'D: DBYRNES		2019/01/25			
3 PLACES ±				APPR: DBYRNES		2019/01/25			
2 PLACES ± 0.2				INITIAL REVISION:				PRODUCT CUSTOMER DRAWING	
1 PLACE ± 0.5				DRWN: KREILLY		2016/05/06		DOCUMENT NUMBER	
0 PLACES ±				APPR: STGRIFFIN		2016/12/07		934620003	
DRAFT WHERE APPLICABLE MUST REMAIN WITHIN DIMENSIONS		THIRD ANGLE PROJECTION		DRAWING		SERIES		MATERIAL NUMBER	
				A3-SIZE		93462		990250150	
				CUSTOMER		GENERAL MARKET		SHEET NUMBER	
								1 OF 1	



DETAIL B



DETAIL C  
SCALE 2:1



NOTES:

1. MATERIAL: PETA ANTISTATIC
2. THICKNESS: 0.9 mm ± 0.05 mm
3. COLOUR: CLEAR
4. BOW 2 mm MAXIMUM PER 330 mm
5. TWIST 2 mm MAXIMUM PER 330 mm
6. TRAY PART NO. AND RECYCLE LOGO TO BE CLEARLY MARKED ON TRAY  
RECYCLE LOGO SHOULD BE APPROPRIATE TO MATERIAL USED
7. WHERE RELEVANT, DIMENSIONS SHOULD BE SYMMETRICAL ABOUT THE CENTRELINE
8. GENERAL PROFILE TOLERANCE  $\overline{\cup}$  0.40 ON NON DIMENSIONED FEATURES

LAST INSPECTION NUMBER USED: 12

THIS DRAWING CONTAINS INFORMATION THAT IS PROPRIETARY TO MOLEX ELECTRONIC TECHNOLOGIES, LLC AND SHOULD NOT BE USED WITHOUT WRITTEN PERMISSION									
DIMENSION UNITS		SCALE		CURRENT REV DESC: REMOVED REFERENCE TO QUANTITY OF TRAYS PER STACK				<b>molex</b>	
mm		1:3							
GENERAL TOLERANCES (UNLESS SPECIFIED)				EC NO: 602124				MXMAG STANDARD AND INVERTED TRAY	
ANGULAR TOL ± 1.0°				DRWN: DSHEA		2018/09/07			
4 PLACES ±				CHK'D: DBYRNES		2019/01/25			
3 PLACES ±				APPR: DBYRNES		2019/01/25			
2 PLACES ± 0.2				INITIAL REVISION:				PRODUCT CUSTOMER DRAWING	
1 PLACE ± 0.5				DRWN: KREILLY		2016/05/06		DOCUMENT NUMBER	
0 PLACES ±				APPR: STGRIFFIN		2016/12/07		934620003	
DRAFT WHERE APPLICABLE MUST REMAIN WITHIN DIMENSIONS		THIRD ANGLE PROJECTION		DRAWING		SERIES		MATERIAL NUMBER	
				A3-SIZE		93462		990250150	
				CUSTOMER		GENERAL MARKET		SHEET NUMBER	
								1 OF 1	