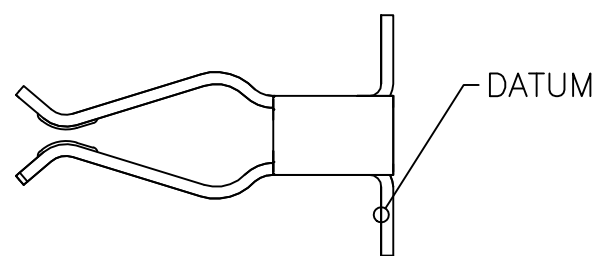
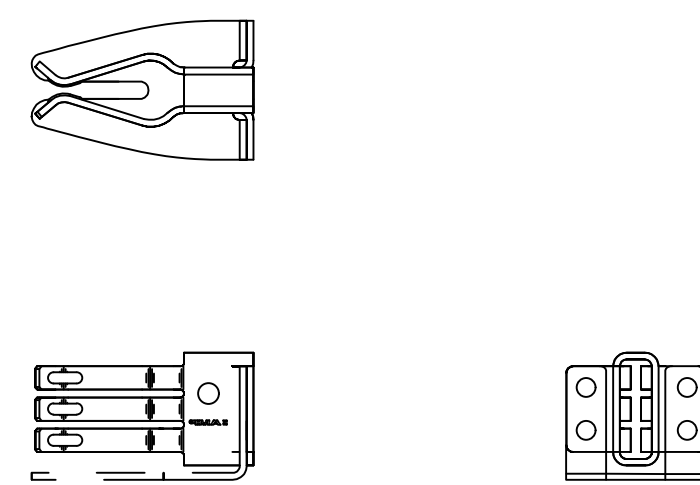
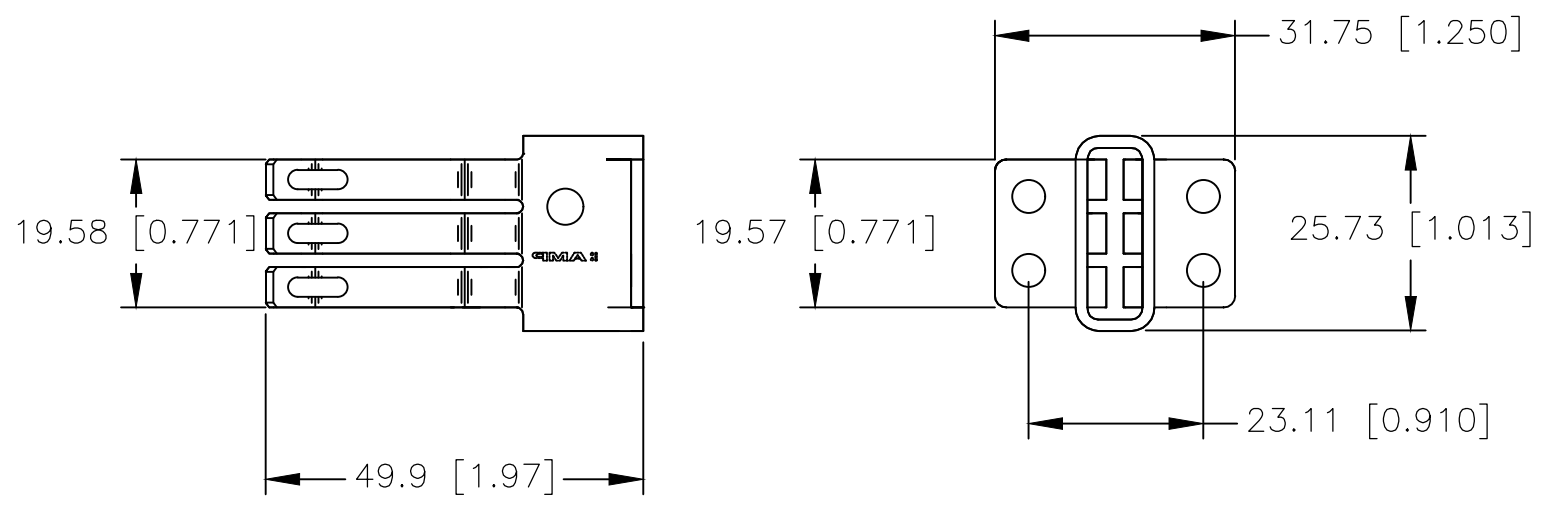


THIS DRAWING IS UNPUBLISHED. RELEASED FOR PUBLICATION  
 © COPYRIGHT - By - ALL RIGHTS RESERVED.

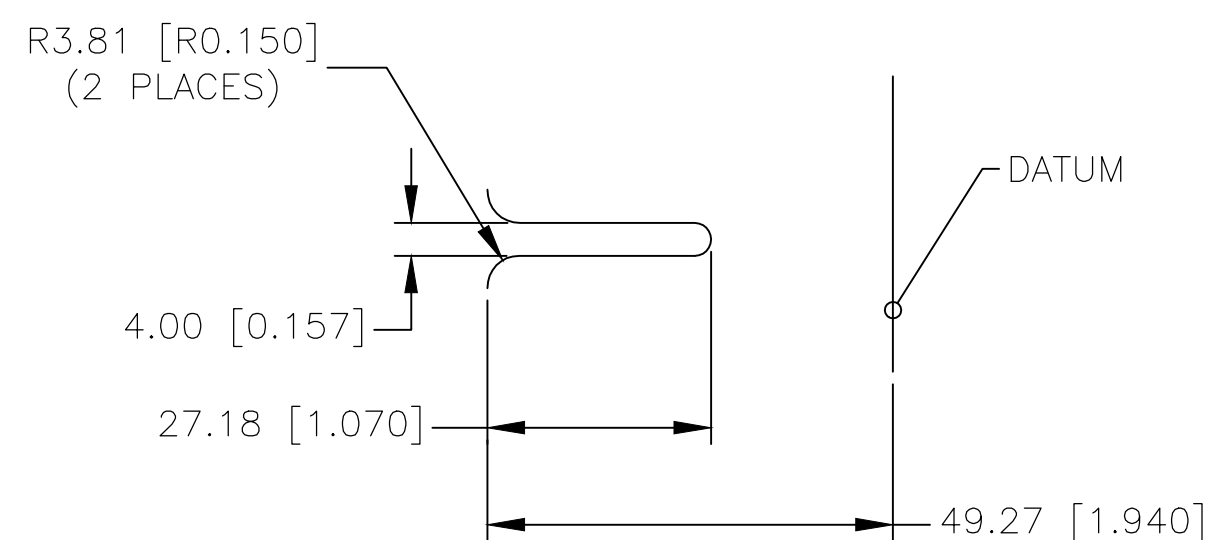
LOC	DIST	REVISIONS			
P	LTR	DESCRIPTION	DATE	DWN	APVD
	B	REV PER ECO-20-011837	25AUG2020	ML	SZ



1. ALL DIMENSIONS ARE FOR REFERENCE ONLY.
2. PART MAY HAVE HOLE IN THIS LOCATION, BOTH SIDE.



BUSPLUG WITH RECOMMENDED ANTI-OVERSTRESS PLATE  
 THE ASSEMBLY PART NUMBER INCLUDING THE ANTI-OVERSTRESS PLATE IS 213647-1



EOL

213648-3  
 PART NUMBER

RECOMMENDED LEAD-IN GEOMETRY FOR CUSTOMER SUPPLIED ANTI-OVERSTRESS PLATE

THIS DRAWING IS A CONTROLLED DOCUMENT.		DWN D.RENNOX	17/APR/98	<b>STE</b> TE Connectivity	
DIMENSIONS: mm [INCHES]		CHK -	APVD -		
TOLERANCES UNLESS OTHERWISE SPECIFIED:		PRODUCT SPEC 108-1101		RESTRICTED TO -	
MATERIAL -		FINISH -		APPLICATION SPEC 114-2111	SIZE A3
		WEIGHT -		CAGE CODE 00779	DRAWING NO C-213648
CUSTOMER DRAWING				SCALE NTS	SHEET 1 OF 1
				REV B	