

5-2232362-3 ✓ ACTIVE



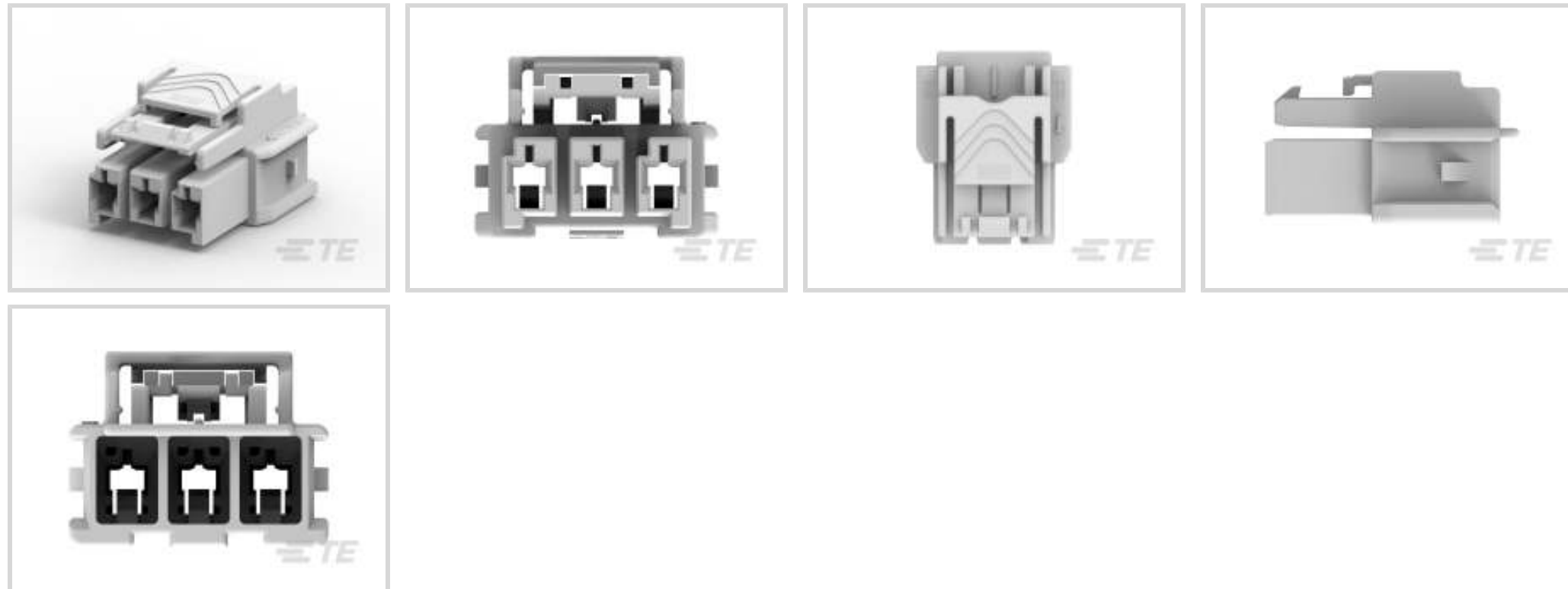
## Power Triple Lock

TE Internal #: 5-2232362-3

Rectangular Power Connectors, Housing, Plug, Wire-to-Wire, 3 Position, 6 mm [.236 in] Centerline, Wire & Cable, UL 94V-0, Power Triple Lock

[View on TE.com >](#)

Connectors > Power Connectors > Rectangular Power > Rectangular Power Connectors



Rectangular Power Connector Type: **Housing**

Connector & Housing Type: **Plug**

Connector System: **Wire-to-Wire**

Number of Positions: **3**

Centerline (Pitch): **6 mm [.236 in]**

## Features

### Product Type Features

Rectangular Power Connector Type	Housing
Connector & Housing Type	Plug
Connector System	Wire-to-Wire
Sealable	No
Connector & Contact Terminates To	Wire & Cable

### Configuration Features

Mating & Unmating Configuration	Make First / Break Last
Number of Positions	3
Number of Power Positions	3
Number of Rows	1

### Electrical Characteristics

Operating Voltage	600 VDC
-------------------	---------

### Body Features

Cable Exit Angle	180°
------------------	------



### Contact Features

Contact Layout	Inline
Contact Retention Within Housing	Without
Contact Type	Receptacle

### Termination Features

Termination Method to Wire & Cable	Crimp
------------------------------------	-------

### Mechanical Attachment

Panel Mount Feature	Without
Connector Mounting Type	Cable Mount (Free-Hanging)

### Housing Features

Centerline (Pitch)	6 mm [.236 in]
Housing Color	Natural
Housing Material	Nylon GF

### Usage Conditions

Operating Temperature Range	-55 – 105 °C [-67 – 221 °F]
-----------------------------	-----------------------------

### Operation/Application

Circuit Application	Power
---------------------	-------

### Identification Marking

Circuit Identification Feature	With
--------------------------------	------

### Industry Standards

UL Rating	Recognized
Agency/Standard	UL
Approved Standards	UL E28476
UL Flammability Rating	UL 94V-0
Glow Wire Rating	GWT 750°C (Without Flame)

### Packaging Features

Packaging Method	Carton
------------------	--------

### Product Compliance

For compliance documentation, visit the product page on [TE.com](#)>

EU RoHS Directive 2011/65/EU	Compliant
------------------------------	-----------



EU ELV Directive 2000/53/EC	Compliant
China RoHS 2 Directive MIIT Order No 32, 2016	No Restricted Materials Above Threshold
EU REACH Regulation (EC) No. 1907/2006	Current ECHA Candidate List: JUNE 2023 (235) Candidate List Declared Against: JUL 2019 (201) Does not contain REACH SVHC
Halogen Content	Not Low Halogen - contains Br or Cl > 900 ppm.
Solder Process Capability	Not reviewed for solder process capability

Product Compliance Disclaimer

This information is provided based on reasonable inquiry of our suppliers and represents our current actual knowledge based on the information they provided. This information is subject to change. The part numbers that TE has identified as EU RoHS compliant have a maximum concentration of 0.1% by weight in homogenous materials for lead, hexavalent chromium, mercury, PBB, PBDE, DBP, BBP, DEHP, DIBP, and 0.01% for cadmium, or qualify for an exemption to these limits as defined in the Annexes of Directive 2011/65/EU (RoHS2). Finished electrical and electronic equipment products will be CE marked as required by Directive 2011/65/EU. Components may not be CE marked. Additionally, the part numbers that TE has identified as EU ELV compliant have a maximum concentration of 0.1% by weight in homogenous materials for lead, hexavalent chromium, and mercury, and 0.01% for cadmium, or qualify for an exemption to these limits as defined in the Annexes of Directive 2000/53/EC (ELV). Regarding the REACH Regulation, the information TE provides on SVHC in articles for this part number is based on the latest European Chemicals Agency (ECHA) 'Guidance on requirements for substances in articles' posted at this URL: <https://echa.europa.eu/guidance-documents/guidance-on-reach>

### Compatible Parts



TE Part # 1971777-3  
PTL TPA HIGH TEMP 1 x 3 BLACK



TE Part # 1452426-1  
EXTRACTION TOOL



TE Part # 1971789-1  
CPA



TE Part # 2232723-1  
PTL MFBL RECPT CONTACT, 16-19 AWG, 2X22

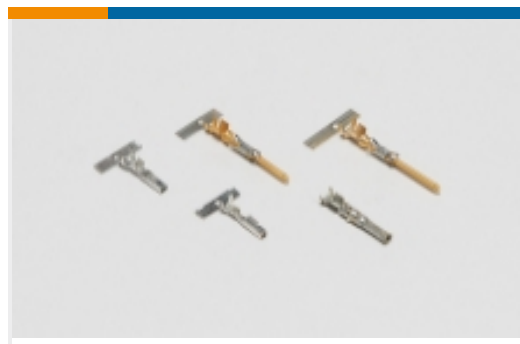


TE Part # 5-2232353-3  
PTL MFBL 1X3 CAP PANEL MT GLW WIRE NAT

### Also in the Series | Power Triple Lock



Insertion & Extraction Tools(1)



Power Contacts(28)



Rectangular Connector Locking(12)



Rectangular Power Connectors(299)

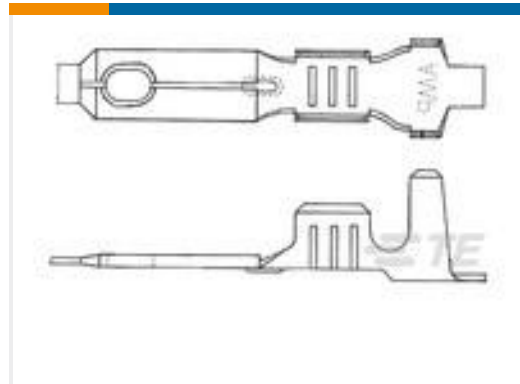
## Customers Also Bought



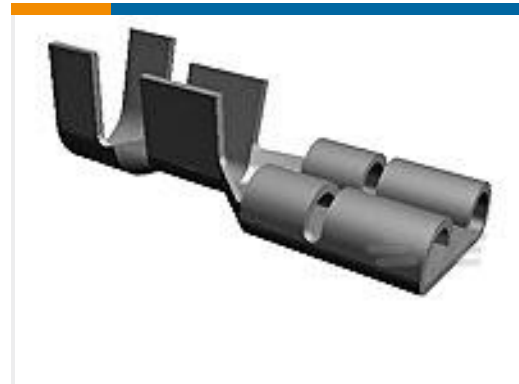
TE Part #141628-2  
110 FASTON HSG.,REC.,1 POS,  
NATURAL



TE Part #5-1579018-6  
INSERTION TOOL



TE Part #880633-1  
110 FASTON REC 20-17 AWG BR



TE Part #444334-2  
250 FASTON REC 22-18 AWG TPBR



TE Part #1-2133394-1  
187 FASTON HSG.,REC.,1 POS,  
NATURAL



TE Part #444026-1  
RING TONGUE ANTI ROTATIONAL 1-  
5 MM2 BR

## Documents

### Product Drawings

[PTL MFBL 1X3 PLUG HSG GLW WIRE NAT](#)

English

### CAD Files

[3D PDF](#)

3D

Customer View Model

[ENG\\_CVM\\_CVM\\_5-2232362-3\\_B.2d\\_dxf.zip](#)

English

Customer View Model

[ENG\\_CVM\\_CVM\\_5-2232362-3\\_B.3d\\_igs.zip](#)

English

Customer View Model

[ENG\\_CVM\\_CVM\\_5-2232362-3\\_B.3d\\_stp.zip](#)

English

By downloading the CAD file I accept and agree to the [Terms and Conditions](#) of use.



---

### Datasheets & Catalog Pages

[Make First, Break Last Power Triple Lock Connector](#)

English

[9-1773465-1 Power Triple Lock QRG](#)

English

---

### Product Specifications

[Application Specification](#)

English

[Application Specification](#)

English

---

### Product Environmental Compliance

[Product Compliance](#)

English

[Product Compliance](#)

English