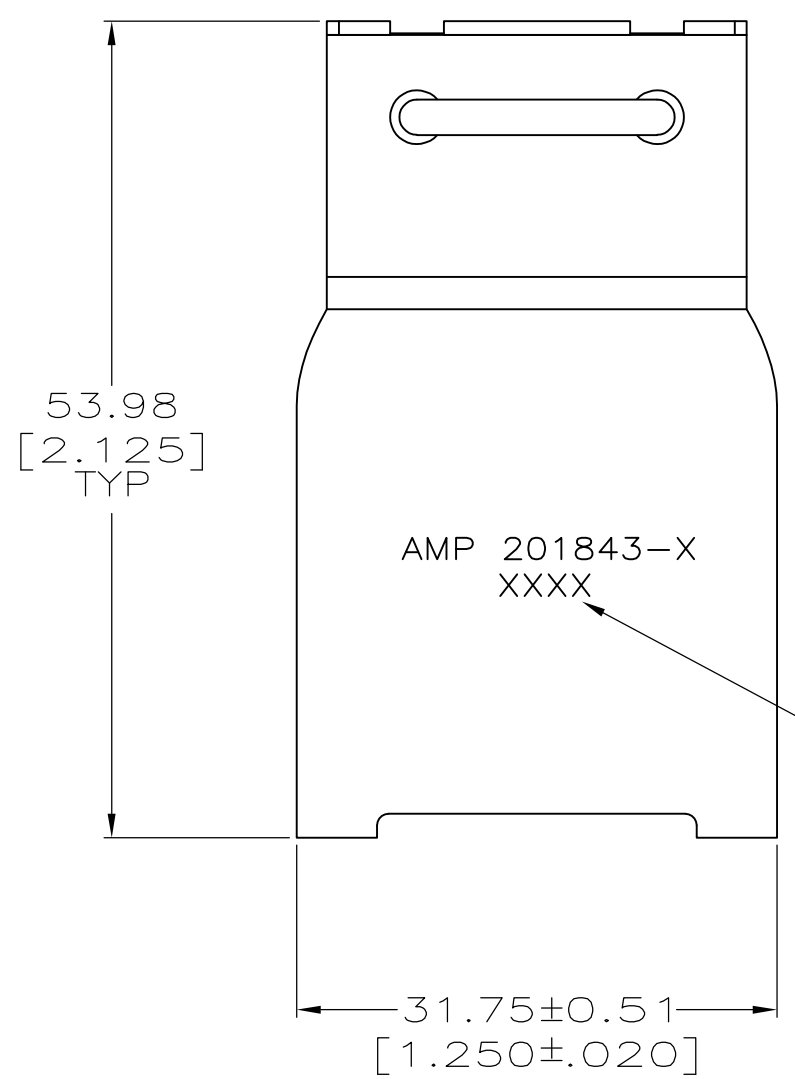
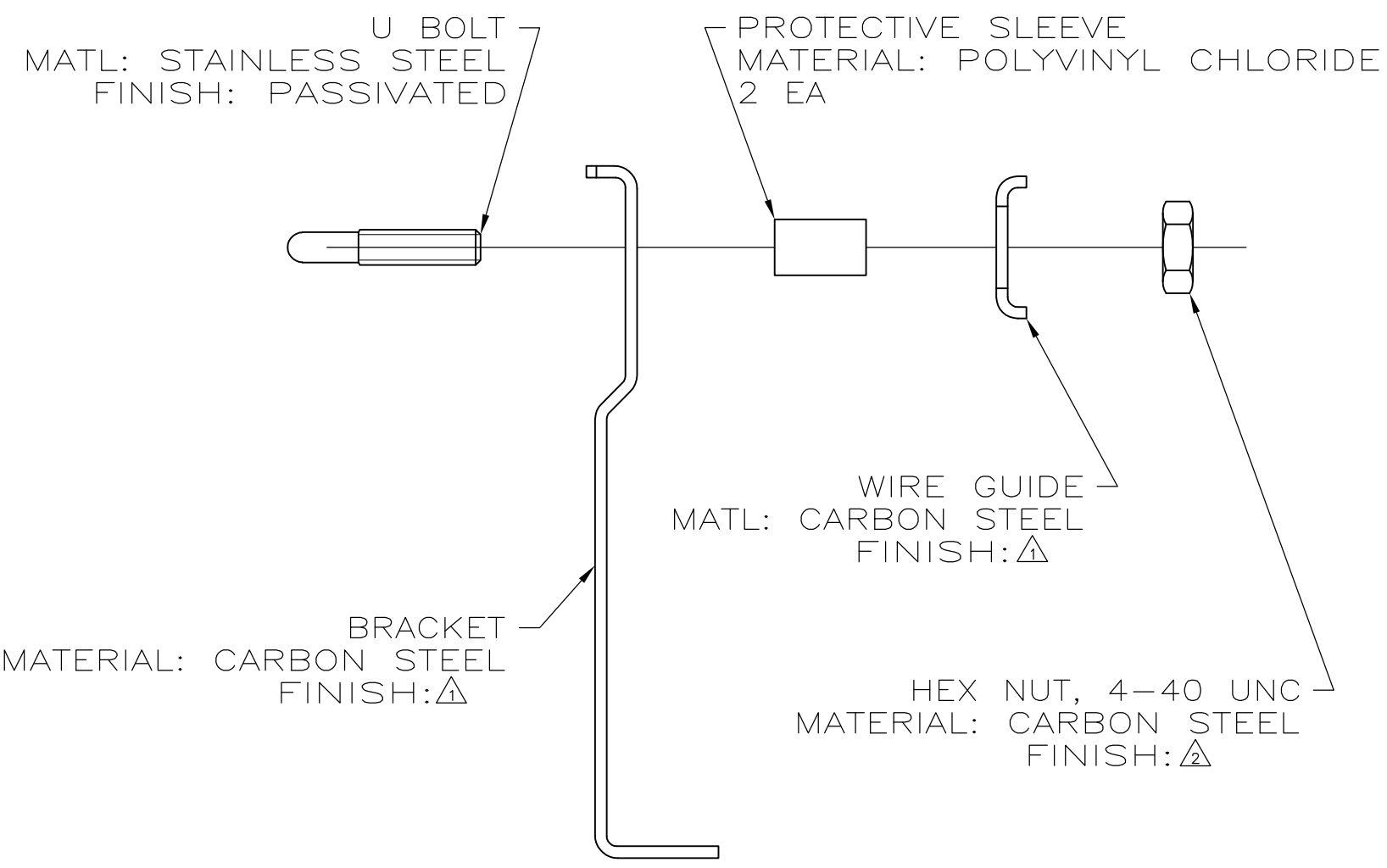
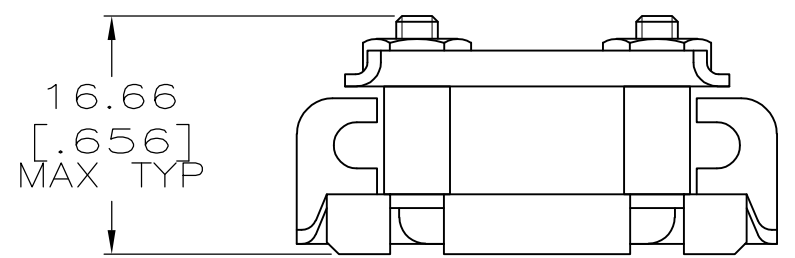


THIS DRAWING IS UNPUBLISHED. RELEASED FOR PUBLICATION
 © COPYRIGHT BY TYCO ELECTRONICS CORPORATION. ALL RIGHTS RESERVED.

LOC	DIST	REVISIONS			
P	LTR	DESCRIPTION	DATE	DWN	APVD
FT	0	G	REVISED PER ECO-08-031035	15DEC08	HMR GS



- 1 5.08um[.000200] MIN NICKEL.
- 2 ZINC PLATE.

201843-3
201843-1
PART NUMBER

THIS DRAWING IS A CONTROLLED DOCUMENT.		DWN C.REIFSNYDER 23 APR 96	Tyco Electronics Corporation Harrisburg, Pa 17105-3608	
DIMENSIONS: mm [INCHES]		CHK R.STONE 24 MAY 96	NAME CLAMP KIT, UNASSEMBLED, STRAIN RELIEF, 14 PLACE, M SERIES	
TOLERANCES UNLESS OTHERWISE SPECIFIED:		APVD G. STEINHAUER 21 JUN 96	PRODUCT SPEC	RESTRICTED TO
0 PLC ± -		APPLICATION SPEC	SIZE	RESTRICTED TO
1 PLC ± -		WEIGHT	CAGE CODE	RESTRICTED TO
2 PLC ± 0.13 [.005]			DRAWING NO	RESTRICTED TO
3 PLC ± -			A300779	RESTRICTED TO
4 PLC ± -			G-201843	RESTRICTED TO
ANGLES ± -			SCALE	RESTRICTED TO
MATERIAL SEE CALLOUTS			2:1	RESTRICTED TO
FINISH SEE CALLOUTS			SHEET	RESTRICTED TO
			1 OF 1	RESTRICTED TO
			REV	RESTRICTED TO
			G	RESTRICTED TO