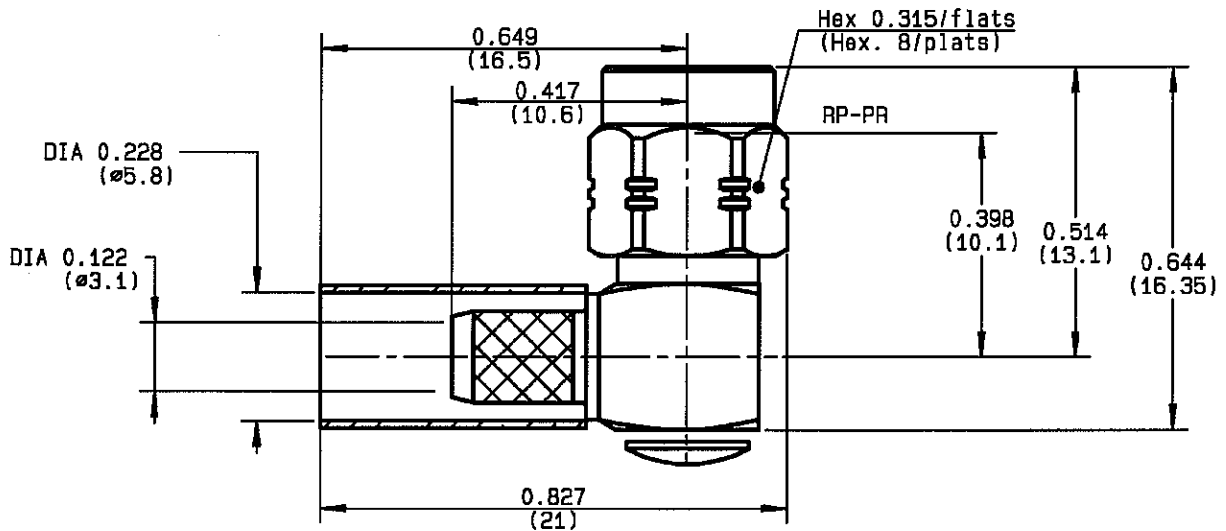


**RIGHT ANGLE PLUG CRIMP TYPE
CABLE 5/50 D**

**R124.176.120
SERIES SMA-COM**



NOMINAL IMPEDANCE	50 Ω
FREQUENCY RANGE	0-12.4 GHz
TEMPERATURE RATING	-65/+165 °C
V.S.W.R	1.15 + .02 x F(GHz)Maxi
RF INSERTION LOSS	0.05 √F(GHz) dB Maxi
VOLTAGE RATING	335 Veff Maxi
DIELECTRIC WITHSTANDING VOLTAGE	1000 Veff Mini
INSULATION RESISTANCE	5000 MΩMini
HERMETIC SEAL	NA Atm.cm ³ /s
LEAKAGE (pressurized only)	NA
MECHANICAL DURABILITY	100 Cycles
WEIGHT	6.34 gr
SPECIFICATION	

CABLES : **KX 23**
RG 142
RG 142 FTX
RG 223
RG 400

OTHERS CHARACTERISTICS

CABLE RETENTION	204 N Mini
CENTER CONTACT RETENTION	
Axial force - mating end	27 N Mini
Axial force - opposite end	27 N Mini
Torque	NA cm.N Mini
RECOMMENDED TORQUES	
Mating	60 cm.N
Panel nut	NA cm.N
Clamp nut	NA cm.N

CONNECTOR PARTS	MATERIALS	FINISH	(all values are given in micrometers)
BODY	BRASS	BBR 2	
OUTER CONTACT			
CENTER CONTACT	BRASS	GOLD 1.3 OVER COPPER 2.5	
INSULATOR	PTFE	-	
GASKET		-	
OTHERS PIECES	BRASS	BBR 2	

ISSUE
0708F

CREATION DATE
30/09/1993

FILE PART-NUMBER
EPC 97-03



TRIQUES

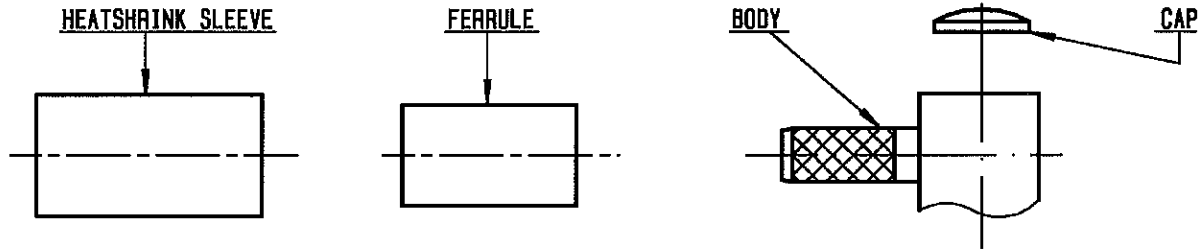
The information given here is subject to change without notice.
Design changes may be in order to improve the product .

Connect to the future



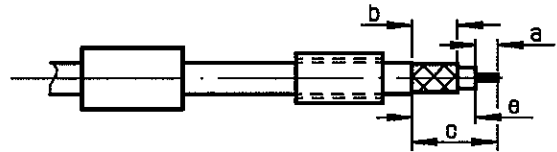
R124.176.120

ISSUE **0708F** SERIES **SMA-COM**



①

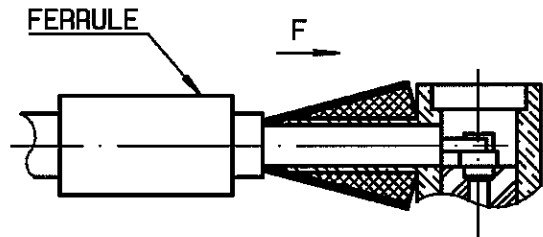
Slide heatshrink sleeve (R280.637.030 - Option) and the ferrule onto cable .
Strip the cable .



Stripping	a	b	c	d	e
inch	0.079	0.256	0.472	0	0.394
mm	2	6.5	12		10

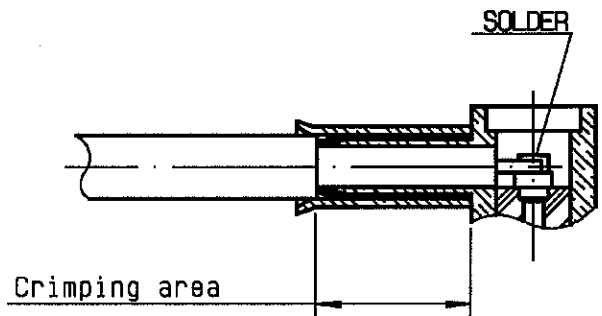
②

Fan the braid .
Push connector body under the braid .
Slide ferrule over braid
(in direction F)



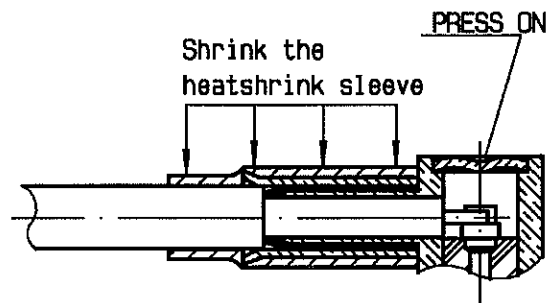
③

Crimp the ferrule with crimping tool R282 223 000 (Hex. : 0.212) or crimping tool R 282 293 000 (M22520/5-01) + dies R 282 235 011 (M22520/5-11)
Solder inner conductor .



④

Place the cap into body.
Press cap flush or slightly below surface of body assembly .
Slide sleeve over ferrule and heatshrink in place (Option) .



TRIQUES