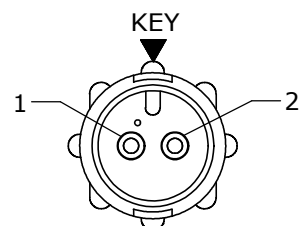


CUSTOMER PRINT

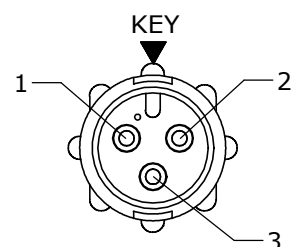
PART NUMBER: 18280-XPG-5XX

- NOTES:**
1. ALL PARTS TO BE BULK PACKED.
  2. CONTACTS TO BE SUPPLIED UNASSEMBLED.
  3. ALL DIMENSIONS ARE FOR REFERENCE ONLY.

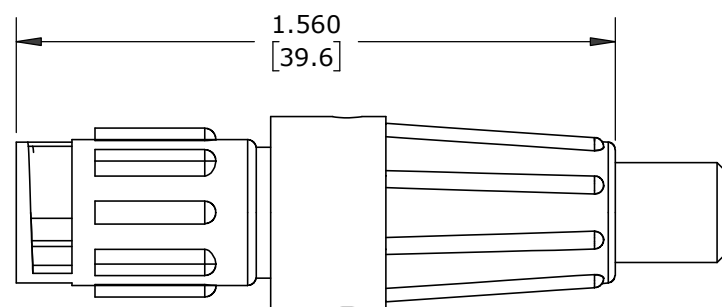
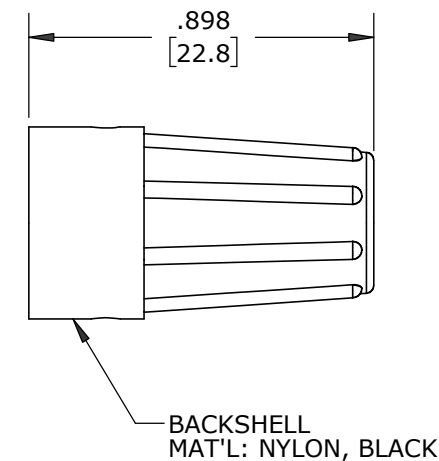
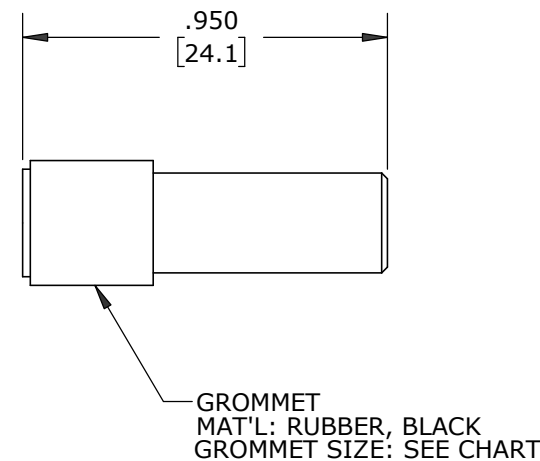
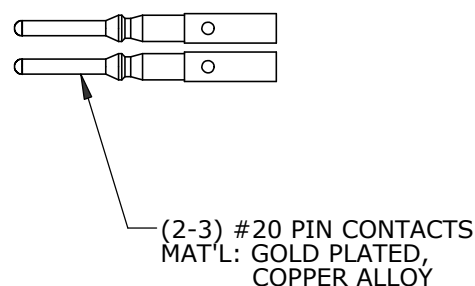
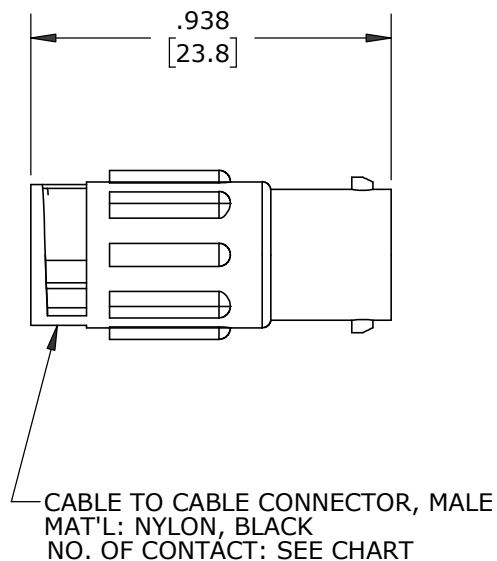
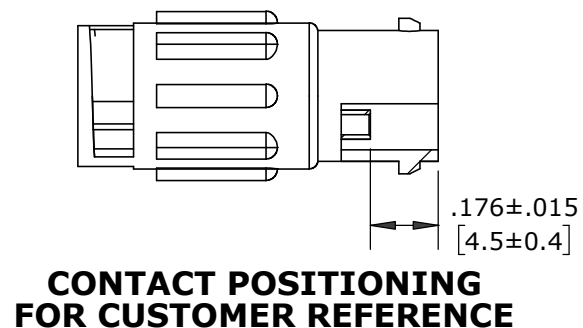
ASS'Y P/N	NO. OF CONTACT	GROMMET FOR CABLE O.D.
18280-2PG-518	2 POS.	.180 GROMMET I.D. FOR CABLE O.D. .175-.185 [4.4-4.7mm]
18280-2PG-521		.210 GROMMET I.D. FOR CABLE O.D. .205-.215 [5.2-5.5mm]
18280-2PG-522		.220 GROMMET I.D. FOR CABLE O.D. .215-.225 [5.5-5.7mm]
18280-3PG-518	3 POS.	.180 GROMMET I.D. FOR CABLE O.D. .175-.185 [4.4-4.7mm]
18280-3PG-521		.210 GROMMET I.D. FOR CABLE O.D. .205-.215 [5.2-5.5mm]
18280-3PG-522		.220 GROMMET I.D. FOR CABLE O.D. .215-.225 [5.5-5.7mm]



**FACE VIEW**  
18280-2PG-5XX



**FACE VIEW**  
18280-3PG-5XX



**SHOWN ASSEMBLED KIT**  
FOR CUSTOMER REFERENCE ONLY

**CUSTOMER APPROVAL**

THIS DOCUMENT CONTAINS CONFIDENTIAL INFORMATION PROPRIETARY TO CONXALL CORPORATION. ANY REPRODUCTION, DISCLOSURE, OR USE OF THIS DOCUMENT / INFORMATION IS EXPRESSLY PROHIBITED UNLESS AUTHORIZED IN WRITING BY CONXALL CORPORATION.

APPROVED BY: \_\_\_\_\_  
DATE: \_\_\_\_\_

**RoHS COMPLIANT**

DIMENSIONS IN BRACKET [ ] ARE METRIC.

A	SS	06-28-21	DRAWING CREATED PER DOR 15-E253SL #46
REV.	INIT.	DATE	DESCRIPTION
	SS	06-28-21	ORIG. DRAWN BY: DATE: SS 06-28-21
ALL INFORMATION ILLUSTRATED IS THE PROPERTY OF CONXALL CORPORATION. UNAUTHORIZED DUPLICATION OR DISTRIBUTION OF THIS DOCUMENT IS PROHIBITED.			<p>601 E. WILDWOOD VILLA PARK, IL 60181</p>
<small>ALL UNITS ARE IN FEET, INCHES, FRACTIONS OF INCHES AND DECIMALS. UNLESS OTHERWISE SPECIFIED TOLERANCES: 3 PLACE DECIMALS ±0.010 ANGLES ±1° FRACTIONS ±1/16 - CRITICAL CHARACTERISTIC FLAG PER SPEC. XXXX</small>			
APPROVED BY:		APPROVED BY:	TITLE: CABLE TO CABLE CONN. KIT (2-3) #20 PIN CONTACTS, CRIMP MICRO-CON-X
SCALE: NTS	SIZE: B	SHEET: 1 OF 1	CUSTOMER: STANDARD PRODUCT
FILE: 18280-XPG-5XX	DIRECTORY: SLW	PART NUMBER: 18280-XPG-5XX	REV: A