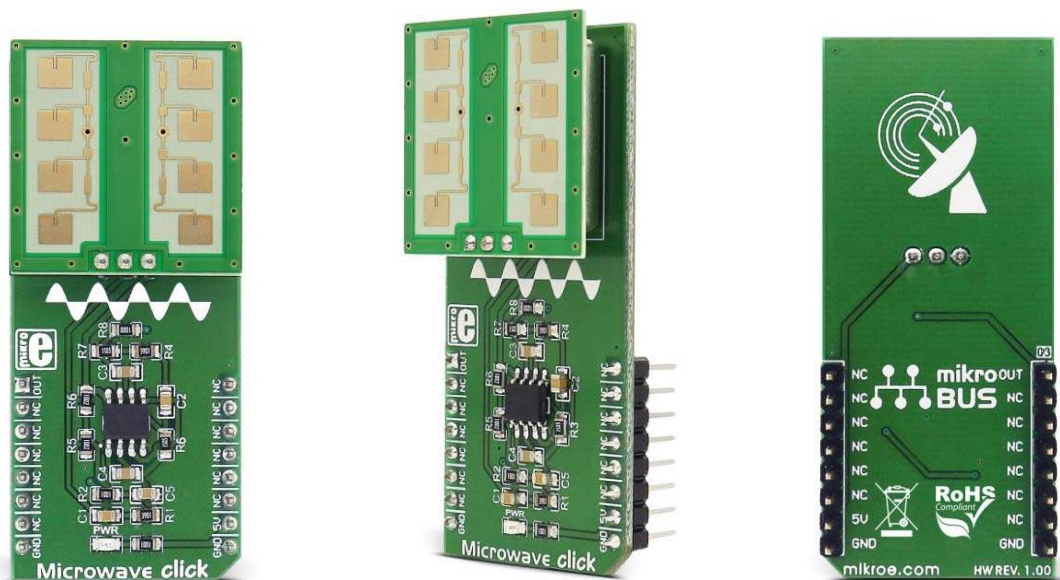


Microwave click

PID: MIKROE-2781

Weight: 30 g

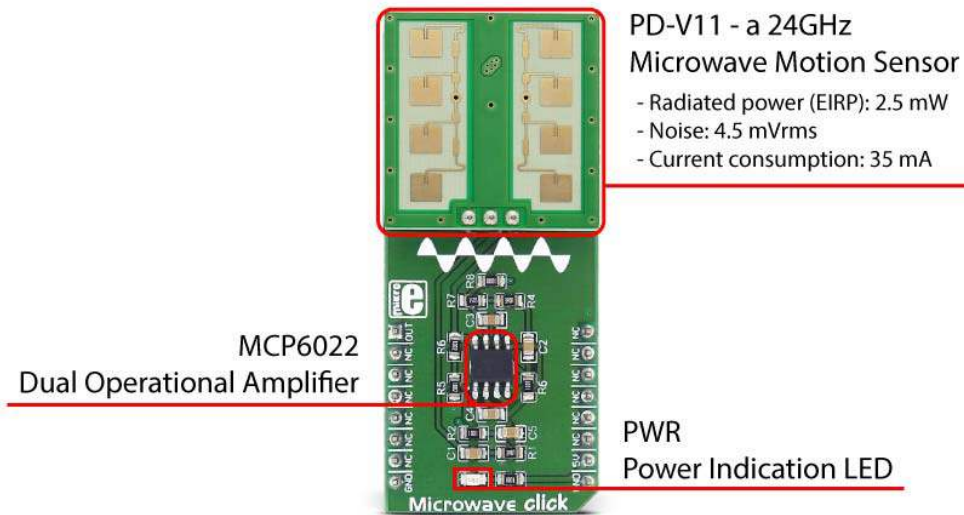


Microwave click detects movement, thanks to the PD-V11 a 24GHz microwave motion sensor. The typical use for Microwave click is a proximity or motion detector in various applications and devices.

The Microwave click can detect movement or proximity by using the Doppler effect. The onboard microwave motions sensor transmits waves, and picks them back as they hit an object, with their frequency changed.

Microwave click does not need optical visibility to work, and the waves can penetrate many kinds of barriers and obstacles.

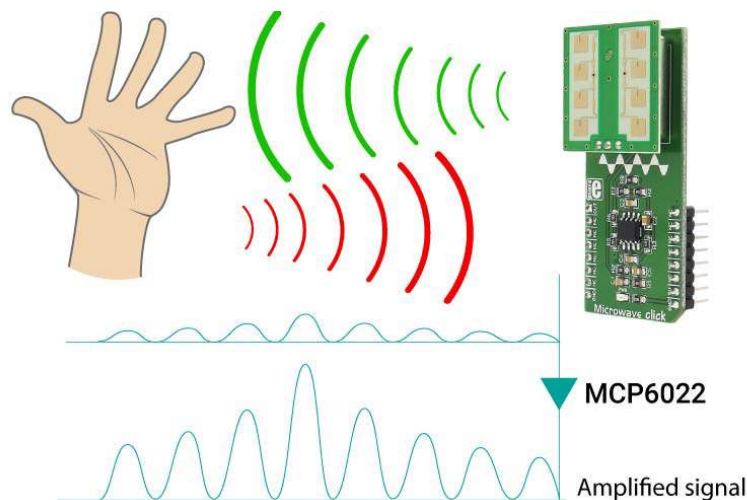
What's on the Microwave click



How the Microwave click works

Microwave click detects movement of objects utilizing Doppler effect. When the PD-V11 microwave sensor is powered on, it starts transmitting radio waves of fixed frequency. As the waves hit a moving object they are reflected back toward PD-V11 microwave motion sensor, with their frequency changed, depending on speed and direction of object's movement.

The Doppler effect - a change in frequency of a wave for the observer and object move closer or further apart from one another. A typical example of the Doppler effect is when a vehicle with siren passes and you hear the pitch drop of the siren.



The PD-V11 microwave motion sensor low power consumption, low noise, and a low wireless power output. See the datasheet to learn more.

<https://download.mikroe.com/documents/datasheets/PD-V11.pdf>

The PD-V11 microwave motion sensor picks up reflected waves and converts them to a voltage signal. This signal has the magnitude of several hundred microvolts, so it's sent to the MCP6022 which amplifies the signal, in order to make it readable over the Analog pin on the mikroBUS™. This signal is amplified up to 3.3V.

Once amplified, the signal is routed to the Analog pin (OUT) on the mikroBUS™ line. The proximity of the object can be determined by measuring the amplitude of this signal, and speed/direction by determining its frequency.


The range at which Microwave click can detect movement depends on the way the algorithm is written (see the Software Support section).

Specifications

Type	Motion
Key Features	Frequency: 24GHz; Radiated power (EIRP): 2.5mW; noise: 4.5 mVrms; current consumption: 35 mA;
Interface	Analog
Input Voltage	5V
Click board size	L (57.15 x 25.4 mm)

Pinout diagram

This table shows how the pinout on **Microwave click** corresponds to the pinout on the mikroBUS™ socket (the latter shown in the two middle columns).

Notes	Pin					Pin	Notes
Amplified sensed signal output	OUT	1	AN	PWM	16	NC	
	NC	2	RST	INT	15	NC	
	NC	3	CS	TX	14	NC	
	NC	4	SCK	RX	13	NC	
	NC	5	MISO	SCL	12	NC	
	NC	6	MOSI	SDA	11	NC	
	NC	7	3.3V	5V	10	+5V	Power supply
Ground	GND	8	GND	GND	9	GND	Ground

Onboard settings and indicators

Label	Name	Default	Description
PWR	Power	-	Power LED, lights green when the power supply is established properly.

Software Support

We provide a demo application for the Microwave click on LibStock, as well as a demo application (example), developed using MikroElektronika compilers. The demo application can run on all the main MikroElektronika development boards with minimal change to the code depending on the microcontroller used.

Examples Description

The application is composed of three sections :

1. System Initialization - GPIO, UART, and MCU ADC module initialization
2. Application Initialization - Measurement of initial reference ADC value used for comparison and movement calculation
3. Application Task - (code snippet) Sequential operation:
 - Takes exact amount of samples
 - Calculation of difference between taken samples and reference ADC value
 - Reports movement if difference is greater than threshold value

```
void applicationTask ()
{
    char txt[ 50 ];
    uint16_t counter = 0;
    uint16_t single = 0;
    uint16_t sampler = 0;
    uint32_t sum = 0;
    uint16_t detector = 0;

    // SAMPLING
    for (sampler = 0; sampler < _SAMPLES_COUNT; sampler++)
    {
        single = ADC1_Get_Sample( 8 );

        if (single < reference)
        {
            sum += single;
            counter++;
        }
    }
    LATD = 0x00; // Turn off D port before next
measurement

    // CALCULATION
    if (0 != counter)
```

```

    {
        detector = sum / counter;

// REPORTING
        if ((detector + _THRESHOLD) < reference)
        {
            WordToStr( detector, txt );
            UART2_Write_Text( "rnMOVE " );
            UART2_Write_Text( txt );
            LATD = 0xFF; // Turn on D port to report
movement
            Delay_1ms ();
        }
    }
}

```

The threshold value and number of samples taken per sequence can be easily adjusted by changing the `_SAMPLES_COUNT` and `_THRESHOLD` constants.

Setting the **samples count** to values greater than 500 may slow down your application. The optimal value for this kind of application is 100.

The **optimal threshold** value depends on the resolution of the MCU's internal ADC module. A small threshold will make the application more sensitive and extend the range of the detection.

This example demonstrates how the click board™ can detect human movement up to 1,5m.

Note that this is a simple demonstration - a more accurate movement detection requires real digital signal processing. The board used for this demo must be still during the initialization process (power on).

The full application code, and ready to use projects can be found on LibStock.

Other mikroE Libraries used in the example:

- UART
- Conversions

Additional notes and information

Depending on the development board you are using, you may need USB UART click, USB UART 2 click or RS232 click to connect to your PC, for development systems with no UART to USB interface available on the board. The terminal available in all Mikroelektronika compilers, or any other terminal application of your choice, can be used to read the message.

<https://shop.mikroe.com/microwave-click-11-3-17>