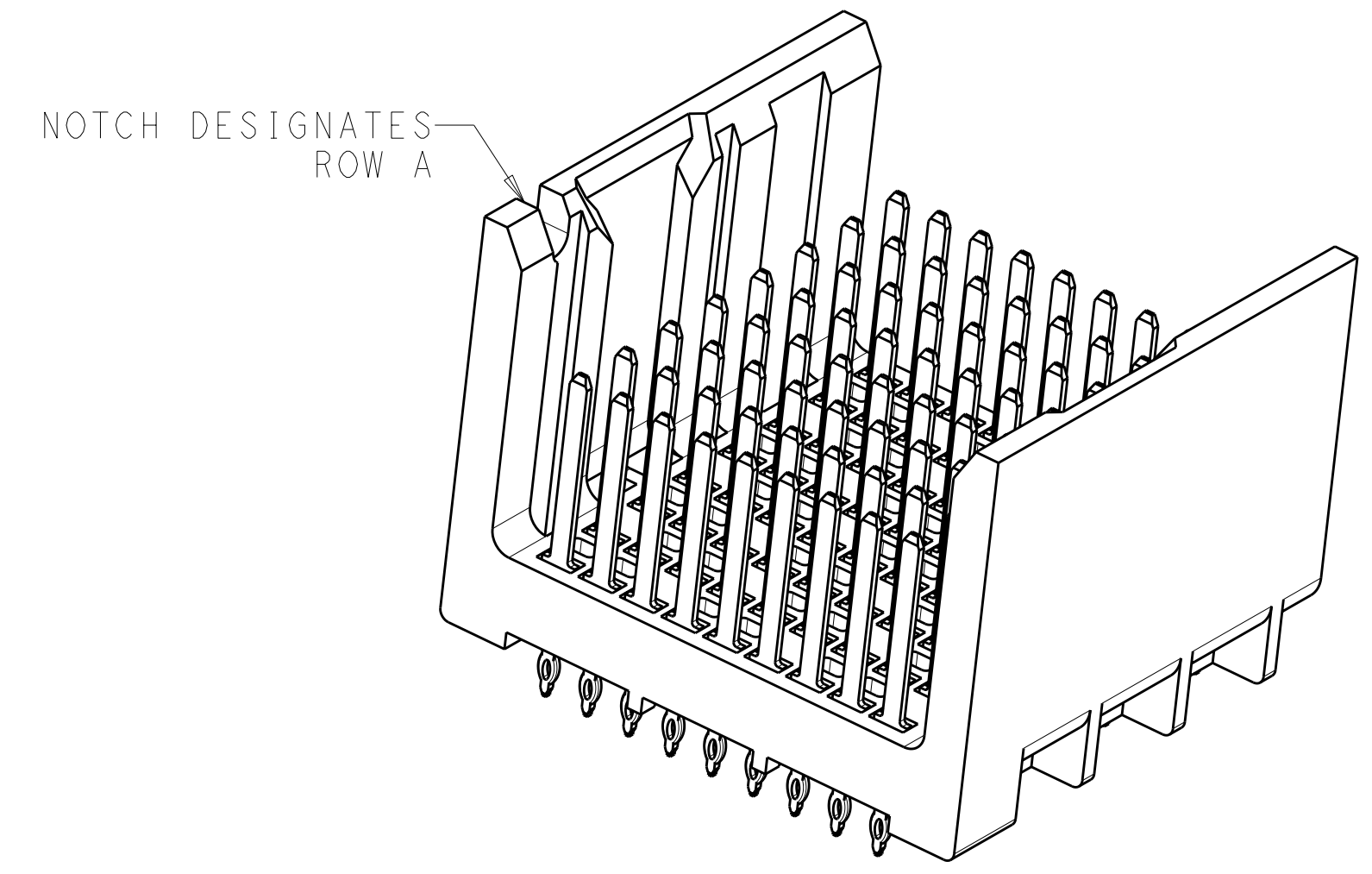
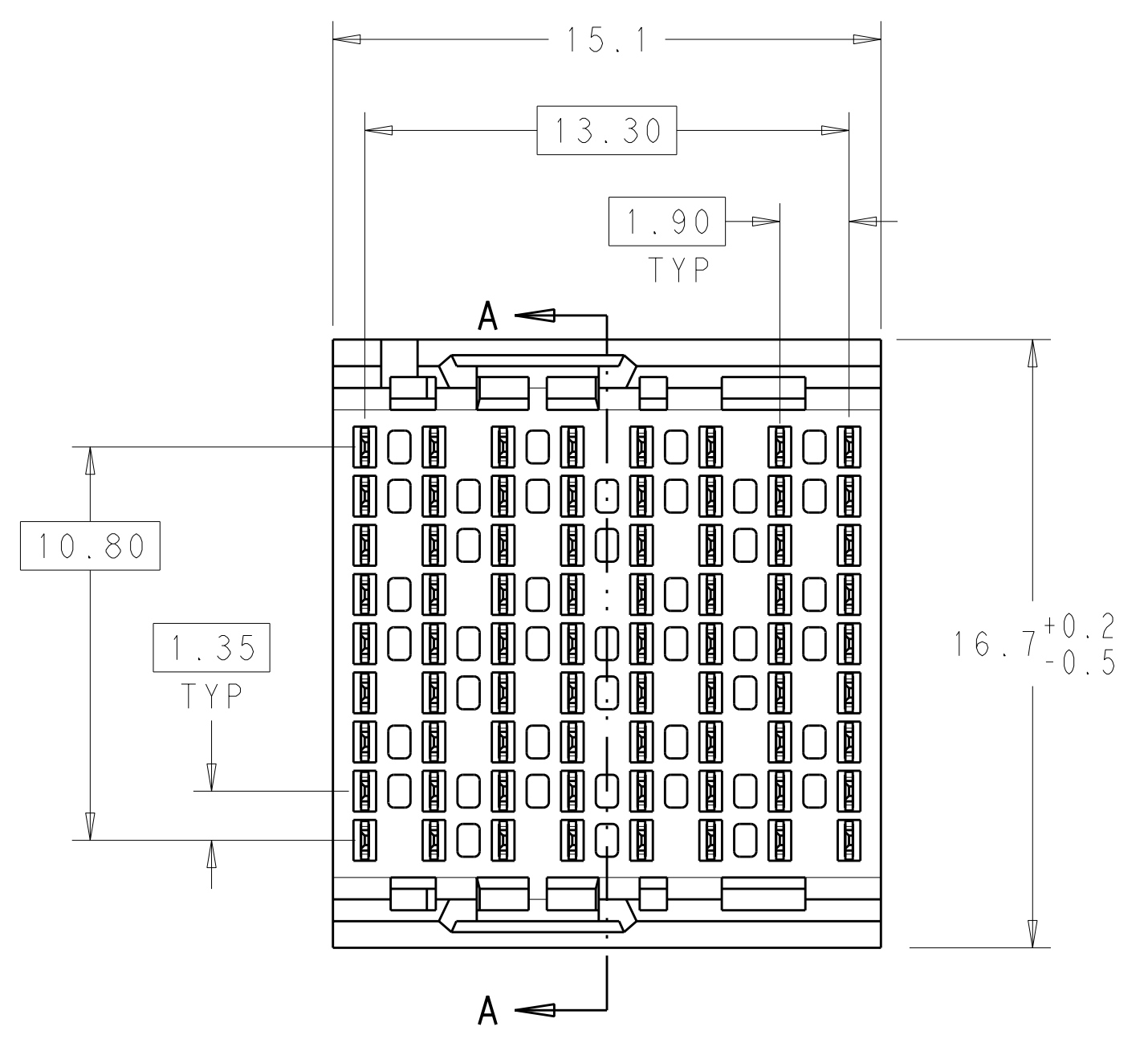
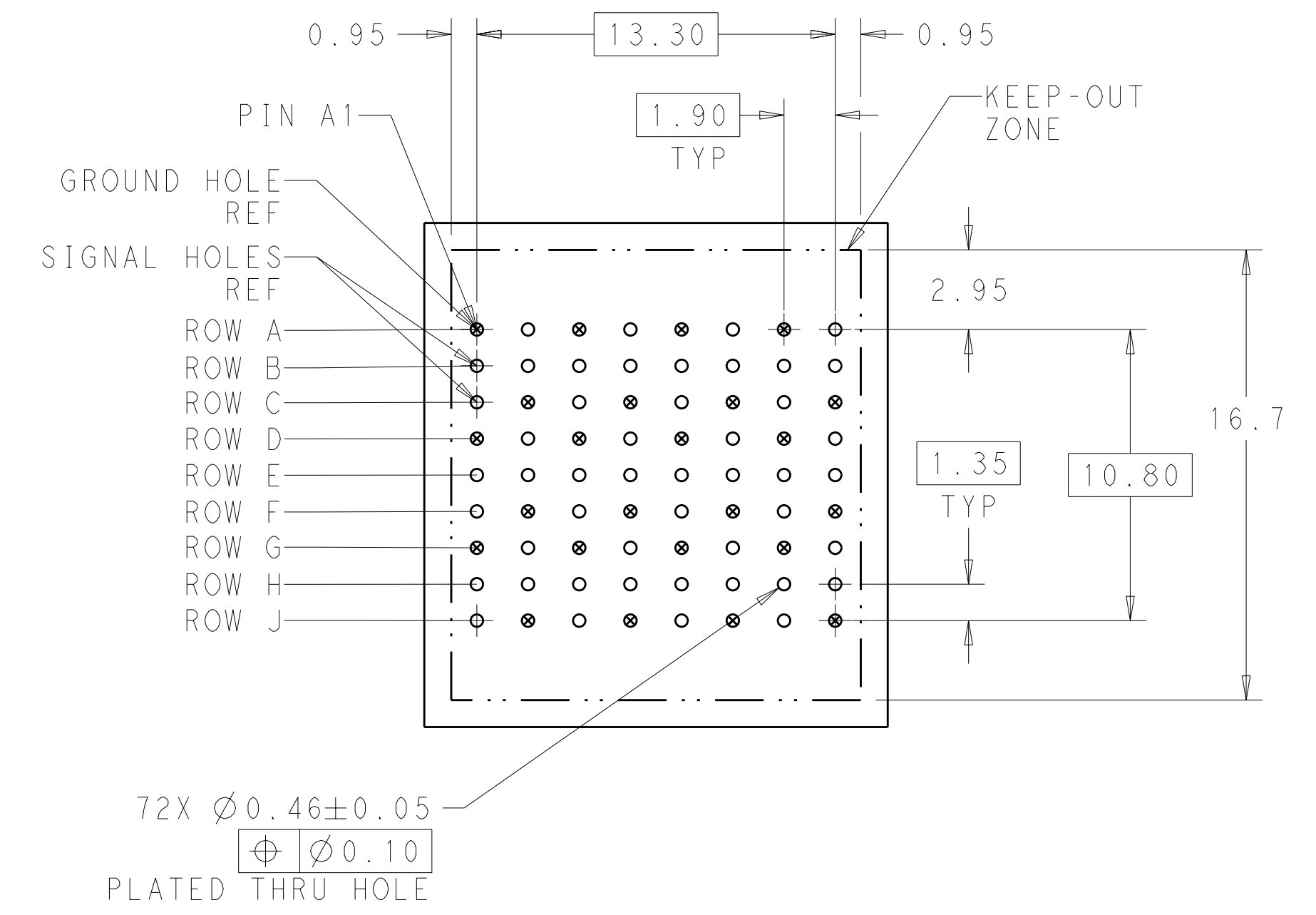


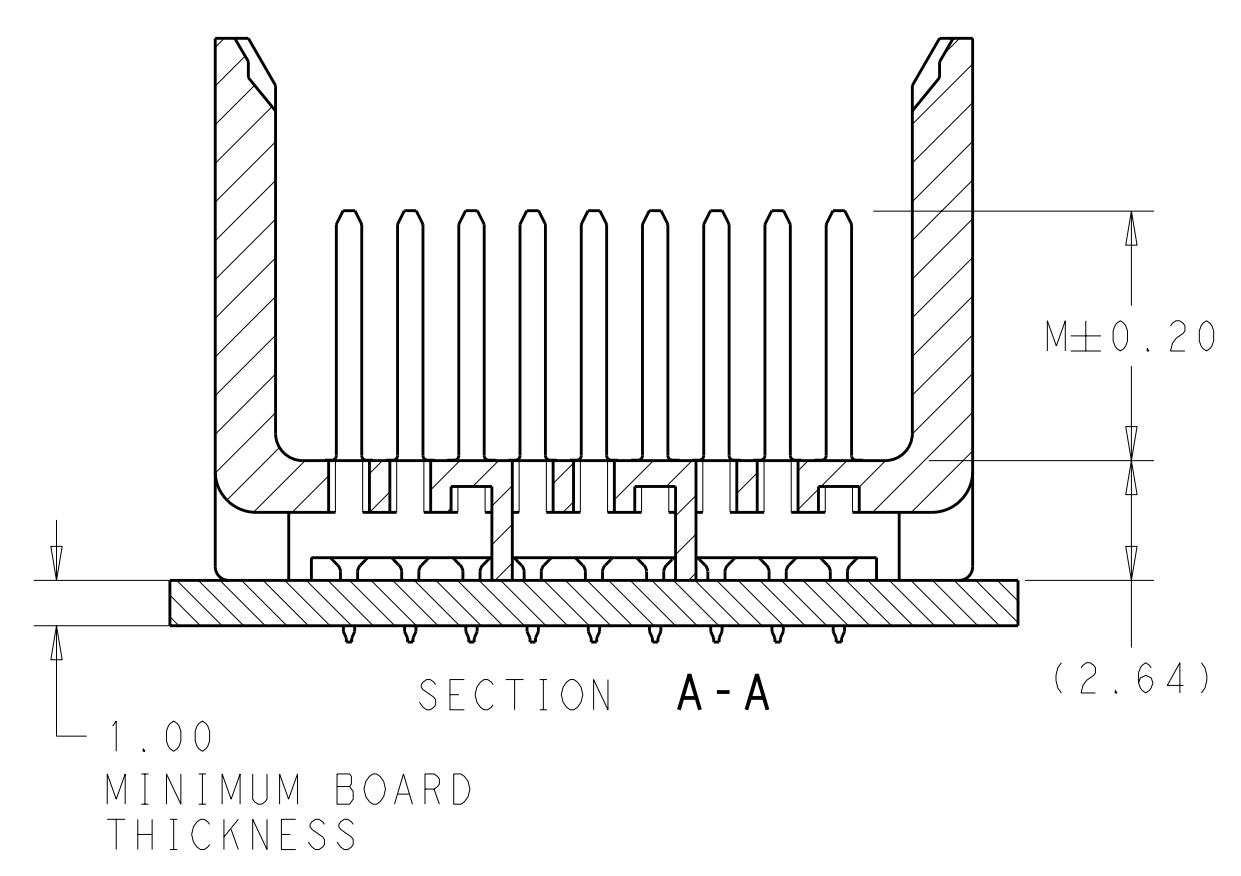
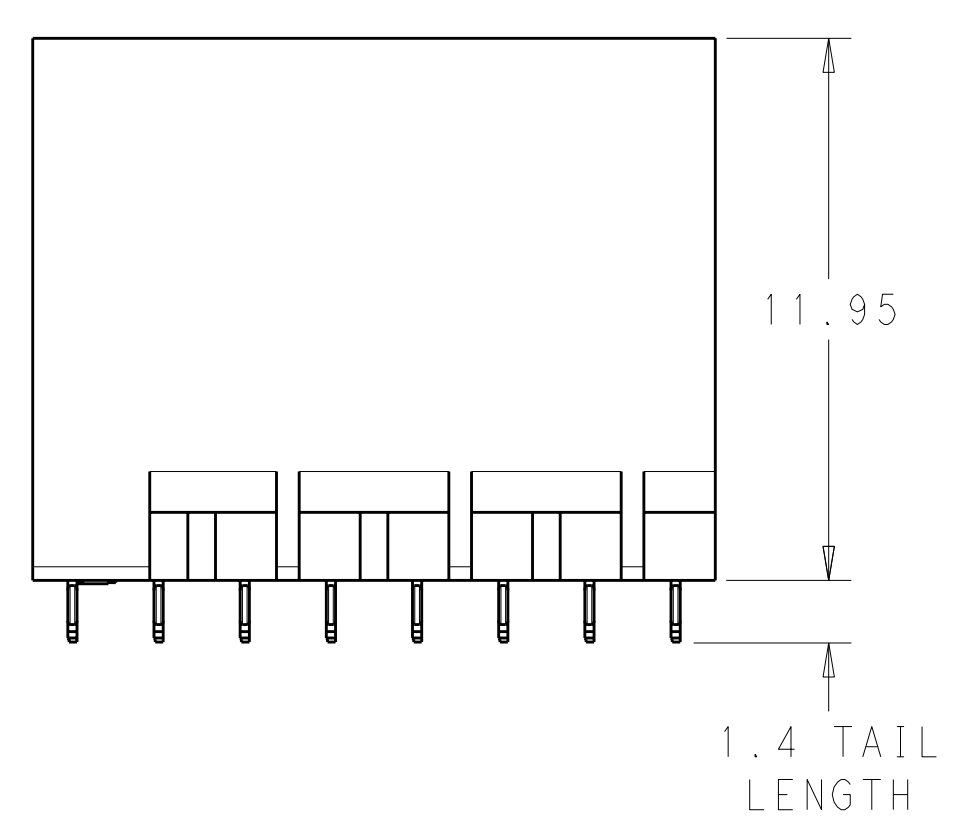
LOC	DIST	REV	DATE	BY	APPD
AD	00	C	05JAN12	KH	DY
		REVISIONS			
		DESCRIPTION	DATE	DWN	APPD
		REVISD PER ECO-11-025276	05JAN12	KH	DY



- 1 MATERIAL:
HOUSING: LCP, GLASS FILLED, UL94V-0.
TERMINALS: HIGH PERFORMANCE COPPER ALLOY.
- 2 FINISH:
30μ" MIN GOLD IN CONTACT AREA. SELECTIVE TIN
ON PCB TAILS, NICKEL OVERALL.
- 3 FINISH:
30μ" MIN GOLD IN CONTACT AREA. SELECTIVE TIN-LEAD
ON PCB TAILS, NICKEL OVERALL.



UNGUIDED
BACKPLANE HOLE PATTERN
(CONNECTOR SIDE)




THIS DRAWING IS A CONTROLLED DOCUMENT.		DWN	J. K. SHOBER	11JAN2011
DIMENSIONS:		CHK	J. EARY	11JAN2011
mm	TOLERANCES UNLESS OTHERWISE SPECIFIED:	APVD	J. EARY	11JAN2011
Ø	9 PLC ±	PRODUCT SPEC	NAME	
∠	1 PLC ±0.25	APPLICATION SPEC	IMPACT, 3 PAIR, 8 COLUMN, HEADER	
	3 PLC ±0.13		UNGUIDED, OPEN END WALL	
	4 PLC ±		SIGNAL MODULE, 0.46 PTH	
	ANGLES ±	WEIGHT	SIZE	CAGE CODE
	FINISH		A100779	C=2057760
MATERIAL	SEE TABLE	CUSTOMER DRAWING	SCALE	6:1
			SHEET	1 OF 2
			REV	C

THIS DRAWING IS UNPUBLISHED. RELEASED FOR PUBLICATION 20
 © COPYRIGHT 20 . . . ALL RIGHTS RESERVED.

LOC	DIST	REVISIONS					
		P	LTB	DESCRIPTION	DATE	DWN	APVD
AD	00	-	-	SEE SHEET 1	-	-	-

\triangle_3	5.5	2057760-6
\triangle_3	4.9	2057760-5
\triangle_3	4.5	2057760-4
\triangle_2	5.5	2057760-3
\triangle_2	4.9	2057760-2
\triangle_2	4.5	2057760-1
FINISH	DIM M	PART NUMBER

REFER TO WWW.TE.COM
FOR PRODUCT AVAILABILITY

THIS DRAWING IS A CONTROLLED DOCUMENT.		DWN J. K. SHOBER 11JAN2011	 TE Connectivity
DIMENSIONS: mm		CHK J. EABY 11JAN2011	
TOLERANCES UNLESS OTHERWISE SPECIFIED: 9 PLC ± 7 PLC ±0.25 5 PLC ±0.13 4 PLC ± ANGLES ± FINISH SEE TABLE		APVD J. EABY 11JAN2011	NAME IMPACT, 3 PAIR, 8 COLUMN, HEADER UNGUIDED, OPEN END WALL SIGNAL MODULE, 0.46 PTH
MATERIAL -	SEE TABLE	PRODUCT SPEC -	APPLICATION SPEC -
CUSTOMER DRAWING		WEIGHT -	RESTRICTED TO -
SCALE 5:1		SIZE CAGE CODE DRAWING NO A100779C=2057760	SHEET 2 OF 2
		REV C	