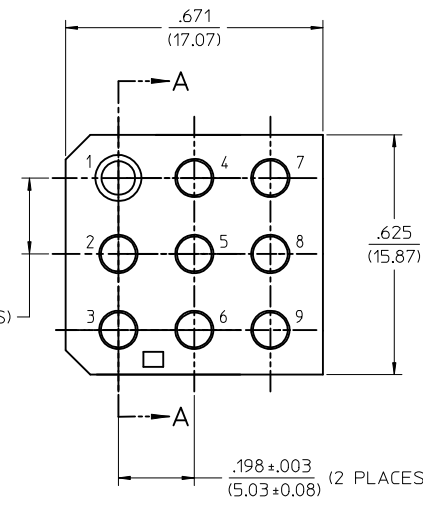
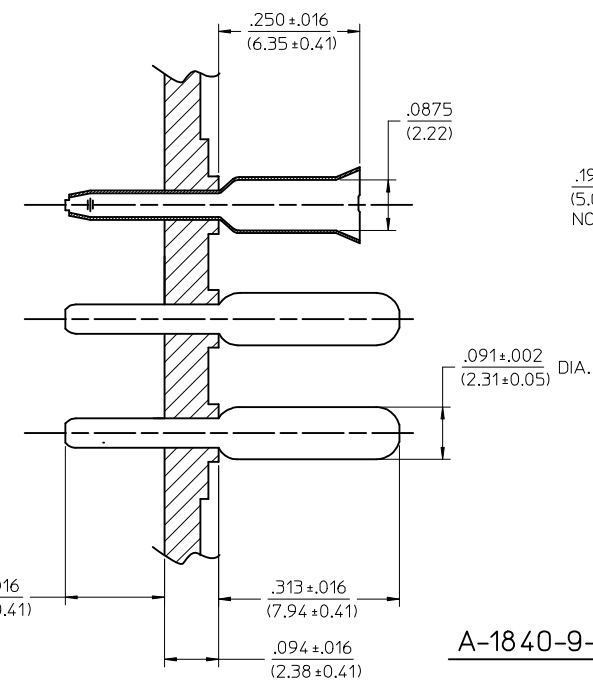


- MATERIAL:
BASE AND RECEPTACLE: NYLON PA66 PER 68200-0037, UL94V-2, COLOR: NATURAL
TERMINALS: MALE - C26000 ALLOY BRASS
FEMALE - C51000 PHOS. BRONZE
- FINISH:
999 - UNPLATED
102 - (MALE TERMINALS ONLY)
.0002000/0.00508 MIN. TIN OVER
.000100/0.00254 MIN. COPPER
126 - (FEMALE TERMINALS ONLY)
.000050/0.00127 MIN. TIN
.000050/0.00127 MIN. NICKEL
- PRODUCT SPECIFICATION: N/A
- PACKAGING SPECIFICATION: PK-1840-001
- POLARIZATION ACCOMPLISHED THROUGH AN INTER-MIX OF MALE AND FEMALE TERMINALS. (MOLEX .093 TERMINALS)
- TERMINAL PATTERN CODE:
M = MALE TERMINALS
F = FEMALE TERMINALS
B = NO TERMINALS



SCALE: 4:1

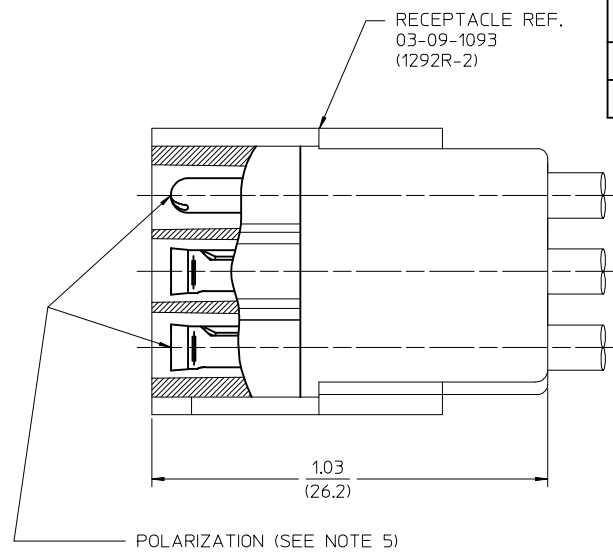
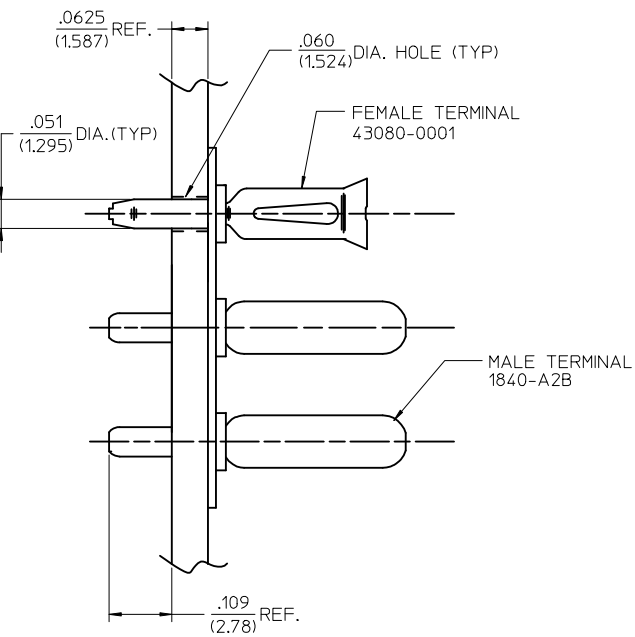
09-18-5094	A-1840-9-12	F	M	M	M	M	M	M	M	
09-18-5098	A-1840-9-5	F	M	M	M	M	F	M	M	
PART NO.	ENG. NO.	1	2	3	4	5	6	7	8	9
TERMINAL PATTERN										



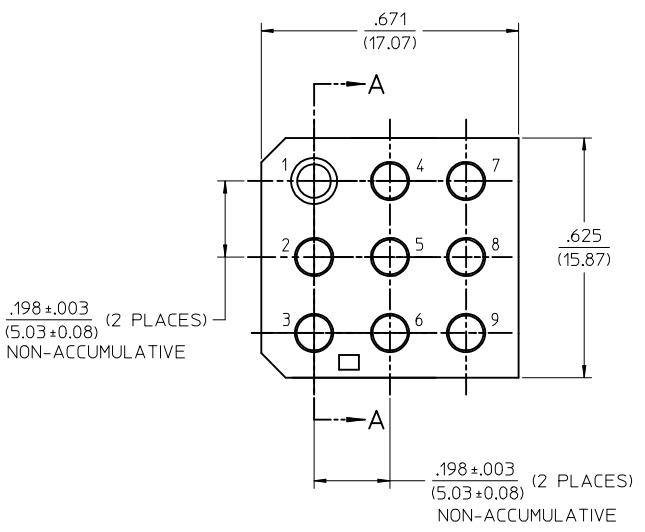
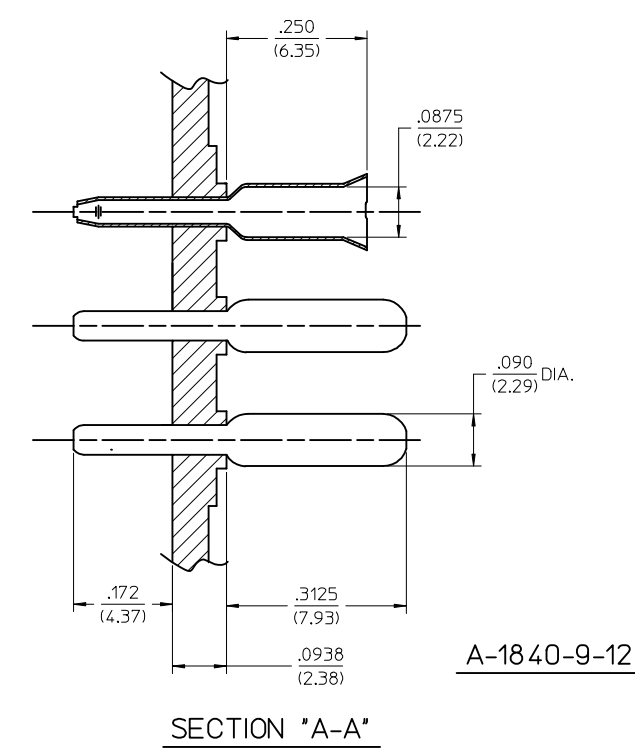
SECTION "A-A"

A-1840-9-12 SHOWN

ADD PKG SPECS EC NO: UCP2013-4695 DRW: NALHAG 2013/05/01 CHKD: JBELL 2013/05/01 APPR: FSMITH 2013/05/13	DESCRIPTION REV	QUALITY SYMBOLS	GENERAL TOLERANCES (UNLESS SPECIFIED)	DIMENSION STYLE	SCALE	DESIGN UNITS	THIRD ANGLE PROJECTION
		$\nabla=0$ $\nabla=0$ $\nabla=1$	mm INCH 4 PLACES ± --- ± --- 3 PLACES ± --- ± .005 2 PLACES ± 0.13 ± .010 1 PLACE ± 0.25 ± --- ANGULAR ± 1/2°	IN/MM DRAWN BY DATE EWC 1974/04/30 CHECKED BY DATE JBELL 2013/05/01 APPROVED BY DATE FSMITH 2011/09/14	6:1 INCH	TITLE CONNECTOR PC BOARD WAFERCON 9 CIRCUIT	
		DRAFT WHERE APPLICABLE MUST REMAIN WITHIN DIMENSIONS	MATERIAL NO. SEE CHART	MOLEX MOLEX INCORPORATED DOCUMENT NO. 1840-9-* SHEET NO. 1 OF 1			
		THIS DRAWING CONTAINS INFORMATION THAT IS PROPRIETARY TO MOLEX INCORPORATED AND SHOULD NOT BE USED WITHOUT WRITTEN PERMISSION					



PART NO.	ENG. NO.	TERMINAL PATTERN								
		1	2	3	4	5	6	7	8	9
09-18-5094	A-1840-9-12	F	M	M	M	M	M	M	M	M
09-18-5098	A-1840-9-5	F	M	M	M	M	M	F	M	M



- NOTES:
- MATERIAL:
BASE AND RECEPTACLE: NYLON PA66, UL94V-0, COLOR: NATURAL
TERMINALS: MALE - BRASS ALLOY
FEMALE - PHOSPHOR BRONZE ALLOY
 - FINISH:
MALE TERMINALS: .000200/0.00508 MIN. TIN OVER
.000100/0.00254 MIN. COPPER
FEMALE TERMINALS: .000050/0.00127 MIN. TIN OVER
.000050/0.00127 MIN. NICKEL
 - PRODUCT SPECIFICATION: N/A
 - PACKAGING SPECIFICATION: PK-1840-001
 - POLARIZATION ACCOMPLISHED THROUGH AN INTER-MIX OF MALE AND FEMALE TERMINALS. (MOLEX .093 TERMINALS)
 - TERMINAL PATTERN CODE:
A) M = MALE TERMINALS
B) F = FEMALE TERMINALS
C) B = NO TERMINALS
 - PARTS TO BE MOUNTED ON SUPPORTED EDGE OF P.C. BOARD.

SCALE: 4:1

A-1840-9-12 SHOWN

SECTION "A-A"

ADD PKG SPECS EC NO: UCP2013-4695 DRW: NAE/HAG CHKD: JBELL APPR: FSM/TH 2013/05/01 2013/05/01 2013/05/13	QUALITY SYMBOLS ∇=0 ∇=0 ∇=0	GENERAL TOLERANCES (UNLESS SPECIFIED) <table border="1"> <thead> <tr> <th></th> <th>mm</th> <th>INCH</th> </tr> </thead> <tbody> <tr> <td>4 PLACES</td> <td>± .005</td> <td>± .0005</td> </tr> <tr> <td>3 PLACES</td> <td>± .005</td> <td>± .0005</td> </tr> <tr> <td>2 PLACES</td> <td>± .010</td> <td>± .0010</td> </tr> <tr> <td>1 PLACE</td> <td>± .025</td> <td>± .0025</td> </tr> </tbody> </table> ANGULAR ±1/2°		mm	INCH	4 PLACES	± .005	± .0005	3 PLACES	± .005	± .0005	2 PLACES	± .010	± .0010	1 PLACE	± .025	± .0025	DIMENSION STYLE IN/MM DRAWN BY DATE EWC 1974/04/30 CHECKED BY DATE JBELL 2013/05/01 APPROVED BY DATE FSM/TH 2011/09/14	SCALE 6:1 DESIGN UNITS INCH	THIRD ANGLE PROJECTION
		mm	INCH																	
	4 PLACES	± .005	± .0005																	
	3 PLACES	± .005	± .0005																	
2 PLACES	± .010	± .0010																		
1 PLACE	± .025	± .0025																		
DRAFT WHERE APPLICABLE MUST REMAIN WITHIN DIMENSIONS			TITLE CONNECTOR PC BOARD WAFERCON 9 CIRCUIT																	
MATERIAL NO. SEE CHART			MOLEX INCORPORATED DOCUMENT NO. SDA-1840-9-*																	
SIZE THIS DRAWING CONTAINS INFORMATION THAT IS PROPRIETARY TO MOLEX INCORPORATED AND SHOULD NOT BE USED WITHOUT WRITTEN PERMISSION			SHEET NO. 1 OF 1																	