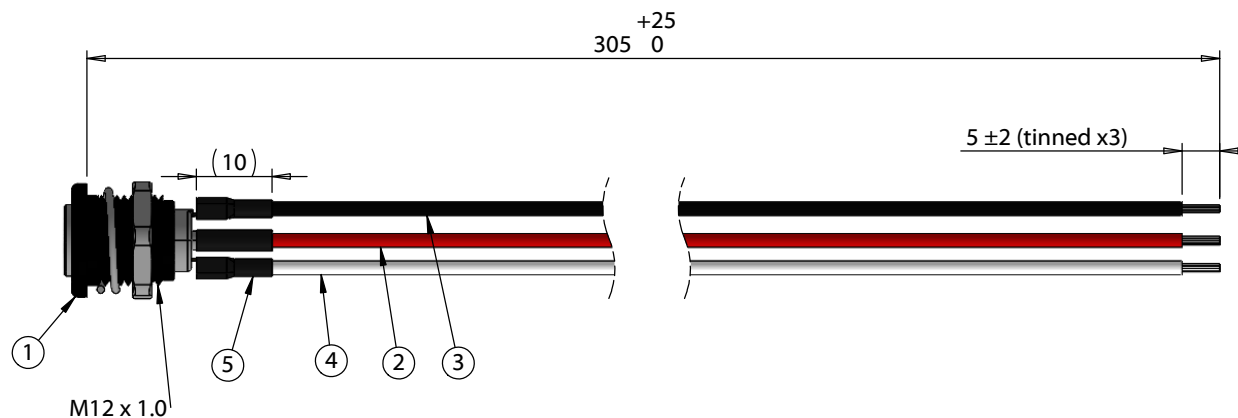
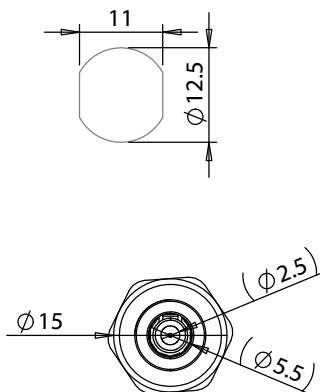


ITEM NO.	PART NUMBER	DESCRIPTION	QTY.	COMPONENT NOTES
1	54-00310	Connector, dc jack w/switch, 5.5x2.5xL22 mm, panel mount, threaded, nut and washer	1	
2	30-02541	Wire, hook-up, TS, 18 AWG, UL 1332, 300V, 200C, 1.8 mm, FEP, red	1	
3	30-02542	Wire, hook-up, TS, 18 AWG, UL 1332, 300V, 200C, 1.8 mm, FEP, black	1	
4	30-02543	Wire, hook-up, TS, 18 AWG, UL 1332, 300V, 200C, 1.8 mm, FEP, white	1	
5	Heat Shrink	Heat shrink tube, 4 mm, high temperature	3	200 °C, Viton or equivalent

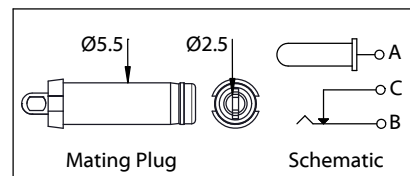
Installation Details

Panel thickness: 4.5 mm max

Recommended panel cutout:



Notes:
 Operating temperature -50 ~ 200 °C
 Cable rated for 48 V, 8.0 A



Wiring Diagram	
54-00310	Wire Color
Center (A)	Red
Sleeve (B)	Black
Switch (C)	White

Revision:	Date:	Description:	Prepared:	Notes:	<h1>TENSILITY</h1>
A	8/17/2022	Initial release	PB <small>Digitally signed by PB Date: 2022.08.17 10:56:03 -07'00'</small>		
			Verified:	Function test: no open, no short circuit, no intermittent	tel 1.541.323.3228 800 877.670.7118 fax 1.541.323.4202 web tensility.com
			Dimensions are in millimeters. Tolerances: X: ± 0.5 mm X.X: ± 0.3 mm X.XX: ± 0.05 mm	Description: Cable, 305 mm, 5.5x2.5 mm 54-00310 to stripped and tinned, 18 AWG, UL1332 wire	Size: A Part number: 10-05157
					Scale: 1:1 Sheet 1 of 1

5

4

3

2

1