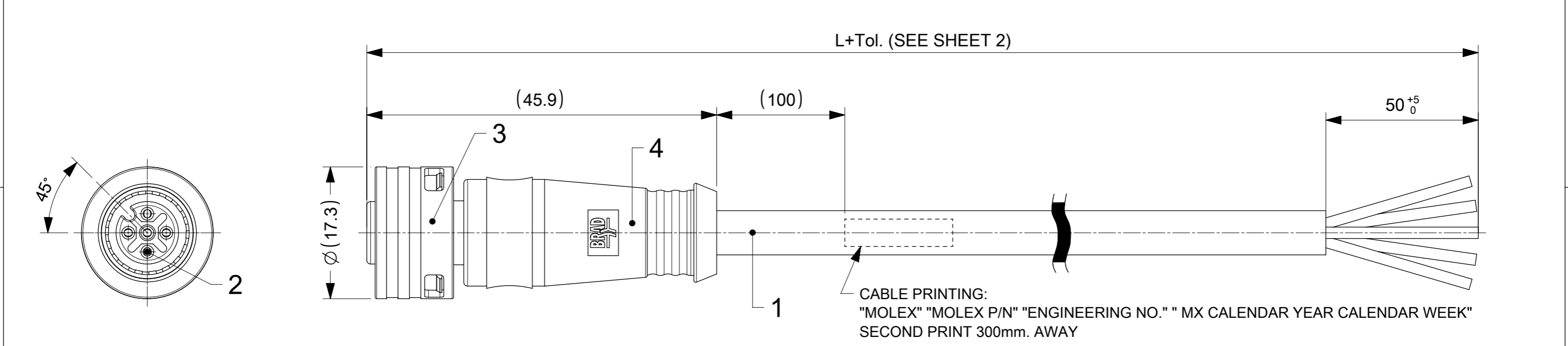
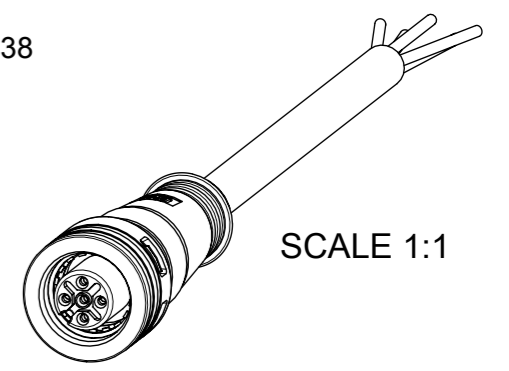


CODING ACCORDING TO IEC 61076-2-101



- NOTES:
- PARTS ACC. TO PRODUCT SPECIFICATION 1204000001 PS P10 AND IN STYLE OF IEC-61076-2-010
 - BOM & PART LIST - SEE SHEET 2
 - RATED VOLTAGE :
3, 4 CONTACTS: 250V AC OR DC
5 CONTACTS: 60V AC OR DC
RATED CURRENT:
3, 4, 5 CONTACTS: 4A, DERATING HAS TO BE CONSIDERED
OVERVOLTAGE CATEGORY: 3
POLLUTION DEGREE: 3, ONLY IN MATED AND LOCKED CONDITION
 - PROTECTION CLASS: IP 67, ONLY IN MATED AND LOCKED CONDITION
 - TEMPERATURE RANGE:
TEMPERATURE PLUG/SOCKET: -40 °C TO +85 °C
TEMPERATURE CABLE: SEE CABLE LIST
 - MECHANICAL OPERATIONS: 100 CYCLES
 - MATES WITH ULTRA-LOCK M12 MALE RECEPTACLES
 - PACKAGING: THE CORDSETS ARE SINGLE PACKED IN PLASTIC BAGS AND DELIVERED IN CARTON BOXES
 - UL CSA FILE REGISTRATION PENDING

FOR EXAMPLE: MOLEX 1204000001 Y03000E03M010 MX2038



DOCUMENT STATUS	P1	RELEASE DATE	2023/01/31	08:21:28
-----------------	----	--------------	------------	----------

FUNCTIONAL SYMBOLS	THIS DRAWING CONTAINS INFORMATION THAT IS PROPRIETARY TO MOLEX ELECTRONIC TECHNOLOGIES, LLC AND SHOULD NOT BE USED WITHOUT WRITTEN PERMISSION	CURRENT REV DESC: NOTES AND CABLE LIST UPDATED		molex																																			
	<table border="1"> <tr> <th>FUNCTIONAL SYMBOLS</th> <th>DIMENSION UNITS</th> <th>SCALE</th> </tr> <tr> <td>∇/A = 0</td> <td>mm</td> <td>2:1</td> </tr> <tr> <td>∇/E = 0</td> <td colspan="2">GENERAL TOLERANCES (UNLESS SPECIFIED)</td> </tr> <tr> <td>∇/V = 0</td> <td colspan="2">ANGULAR TOL ± 1.0 °</td> </tr> <tr> <td></td> <td>4 PLACES</td> <td>±</td> </tr> <tr> <td></td> <td>3 PLACES</td> <td>±</td> </tr> <tr> <td></td> <td>2 PLACES</td> <td>± 0.05</td> </tr> <tr> <td></td> <td>1 PLACE</td> <td>± 0.3</td> </tr> <tr> <td></td> <td>0 PLACES</td> <td>± 0.5</td> </tr> </table>	FUNCTIONAL SYMBOLS	DIMENSION UNITS			SCALE	∇/A = 0	mm	2:1	∇/E = 0	GENERAL TOLERANCES (UNLESS SPECIFIED)		∇/V = 0	ANGULAR TOL ± 1.0 °			4 PLACES	±		3 PLACES	±		2 PLACES	± 0.05		1 PLACE	± 0.3		0 PLACES	± 0.5	<table border="1"> <tr> <td>EC NO: 736602</td> <td>2023/01/23</td> </tr> <tr> <td>DRWN: RSCHIEBER</td> <td>2023/01/31</td> </tr> <tr> <td>CHK'D: RSILLER</td> <td>2023/01/31</td> </tr> <tr> <td>APPR: RSILLER</td> <td>2023/01/31</td> </tr> </table>		EC NO: 736602	2023/01/23	DRWN: RSCHIEBER	2023/01/31	CHK'D: RSILLER	2023/01/31	APPR: RSILLER
FUNCTIONAL SYMBOLS	DIMENSION UNITS	SCALE																																					
∇/A = 0	mm	2:1																																					
∇/E = 0	GENERAL TOLERANCES (UNLESS SPECIFIED)																																						
∇/V = 0	ANGULAR TOL ± 1.0 °																																						
	4 PLACES	±																																					
	3 PLACES	±																																					
	2 PLACES	± 0.05																																					
	1 PLACE	± 0.3																																					
	0 PLACES	± 0.5																																					
EC NO: 736602	2023/01/23																																						
DRWN: RSCHIEBER	2023/01/31																																						
CHK'D: RSILLER	2023/01/31																																						
APPR: RSILLER	2023/01/31																																						
DIVISIONAL SYMBOLS		INITIAL REVISION:		PRODUCT CUSTOMER DRAWING																																			
		<table border="1"> <tr> <td>DRWN: RSCHIEBER</td> <td>2020/09/15</td> </tr> <tr> <td>APPR: RSILLER</td> <td>2020/09/29</td> </tr> </table>		DRWN: RSCHIEBER	2020/09/15	APPR: RSILLER	2020/09/29	DOCUMENT NUMBER																															
DRWN: RSCHIEBER	2020/09/15																																						
APPR: RSILLER	2020/09/29																																						
		<table border="1"> <tr> <td>DRWING</td> <td>SERIES</td> <td>MATERIAL NUMBER</td> <td>CUSTOMER</td> <td>DOC TYPE</td> <td>DOC PART</td> <td>REVISION</td> </tr> <tr> <td>A3-SIZE</td> <td>120400</td> <td>SEE SHEET 2</td> <td>GENERAL MARKET</td> <td>PSD</td> <td>000</td> <td>A3</td> </tr> </table>		DRWING	SERIES	MATERIAL NUMBER	CUSTOMER	DOC TYPE	DOC PART	REVISION	A3-SIZE	120400	SEE SHEET 2	GENERAL MARKET	PSD	000	A3	1204000025																					
DRWING	SERIES	MATERIAL NUMBER	CUSTOMER	DOC TYPE	DOC PART	REVISION																																	
A3-SIZE	120400	SEE SHEET 2	GENERAL MARKET	PSD	000	A3																																	
DRAFT WHERE APPLICABLE MUST REMAIN WITHIN DIMENSIONS		THIRD ANGLE PROJECTION		SHEET NUMBER																																			
				1 OF 2																																			

