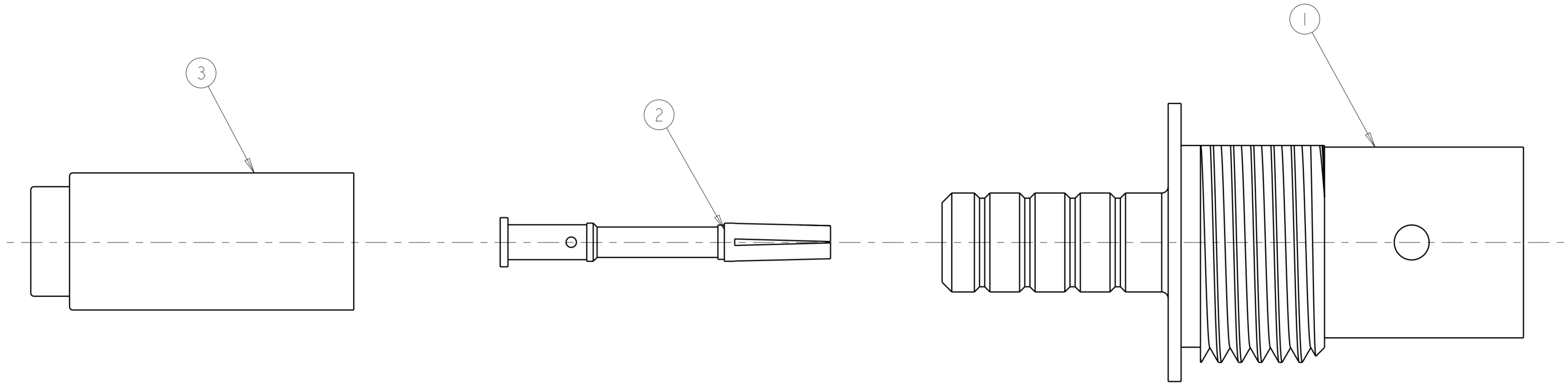
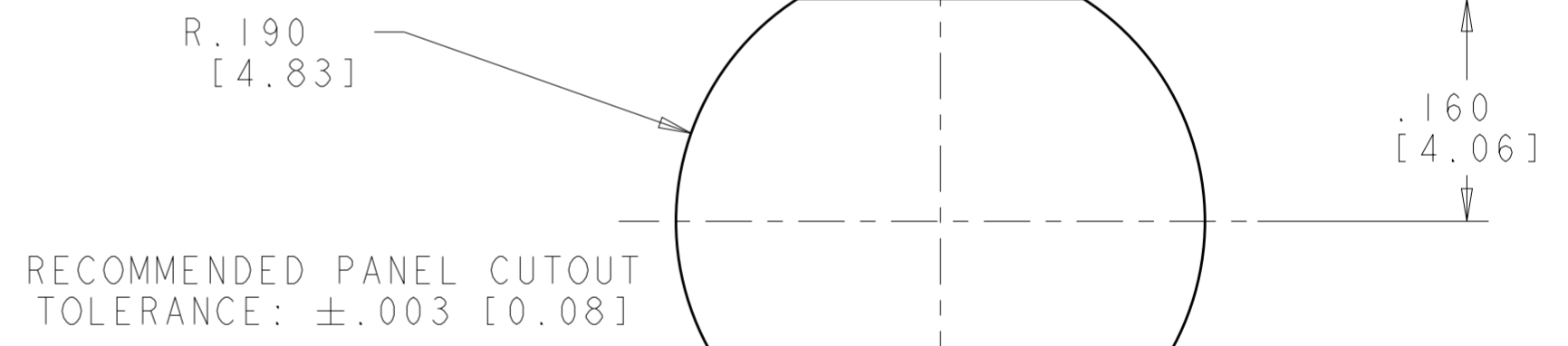


THIS DRAWING IS UNPUBLISHED. RELEASED FOR PUBLICATION 20  
 © COPYRIGHT 20 ALL RIGHTS RESERVED.

LOC	DIST	REVISIONS			
P	LTR	DESCRIPTION	DATE	DWN	APVD
AJ	16	E2	REVISED PER ECR-17-009545	17JUL2017	AS RS
		E3	ECO-15-013027	25JUN2018	RZ RS



- 1. ITEMS PACKAGED UNASSEMBLED.
- 2. ITEMS 4 AND 5 NOT SHOWN FOR CLARITY.
- 3. SEE SEPARATE CUSTOMER DRAWINGS FOR ITEM DETAILS.
- 4. SEE INSTRUCTION SHEET 408-8871 FOR CABLE TERMINATION DETAILS.



	RG179	.042 [1.07]	.178 [4.52]	1-329492-1	2-330249-2	9-413658-0	1274570-9	1274569-3	1274568-3
OBSOLETE	<del>734A</del>	<del>.042 [1.07]</del>	<del>.255 [6.48]</del>	<del>1-329492-1</del>	<del>2-330249-2</del>	<del>9-221132-3</del>	<del>1274570-6</del>	<del>1274569-2</del>	<del>1274568-2</del>
OBSOLETE	<del>735A</del>	<del>.042 [1.07]</del>	<del>.178 [4.52]</del>	<del>1-329492-1</del>	<del>2-330249-2</del>	<del>9-413658-2</del>	<del>1274570-3</del>	<del>1274569-1</del>	<del>1274568-1</del>
	CABLE	CONTACT CRIMP (SQUARE)	FERRULE CRIMP (HEX)	⑤ LOCKWASHER QTY = 1	④ JAM NUT QTY = 1	③ FERRULE QTY = 1	② CONTACT QTY = 1	① JACK ASSY QTY = 1	PART NUMBER

THIS DRAWING IS A CONTROLLED DOCUMENT.

DIMENSIONS: INCHES [mm]	TOLERANCES UNLESS OTHERWISE SPECIFIED:	DWN: K. WEIDNER 02JUN2003	TE Connectivity
0 PLC ±	1 PLC ±	CHK: G. MICHAEL 13FEB2004	
2 PLC ±	3 PLC ±.005 [0.13]	APVD: K. WEIDNER 13FEB2004	
4 PLC ±	ANGLES ±2	PRODUCT SPEC: 108-2159	NAME: BULKHEAD JACK KIT, MINI BNC
MATERIAL	FINISH	APPLICATION SPEC	SIZE: A200779 C-1274568
		WEIGHT	RESTRICTED TO
		CUSTOMER DRAWING	SCALE: 4:1 SHEET 1 OF 1 REV E3