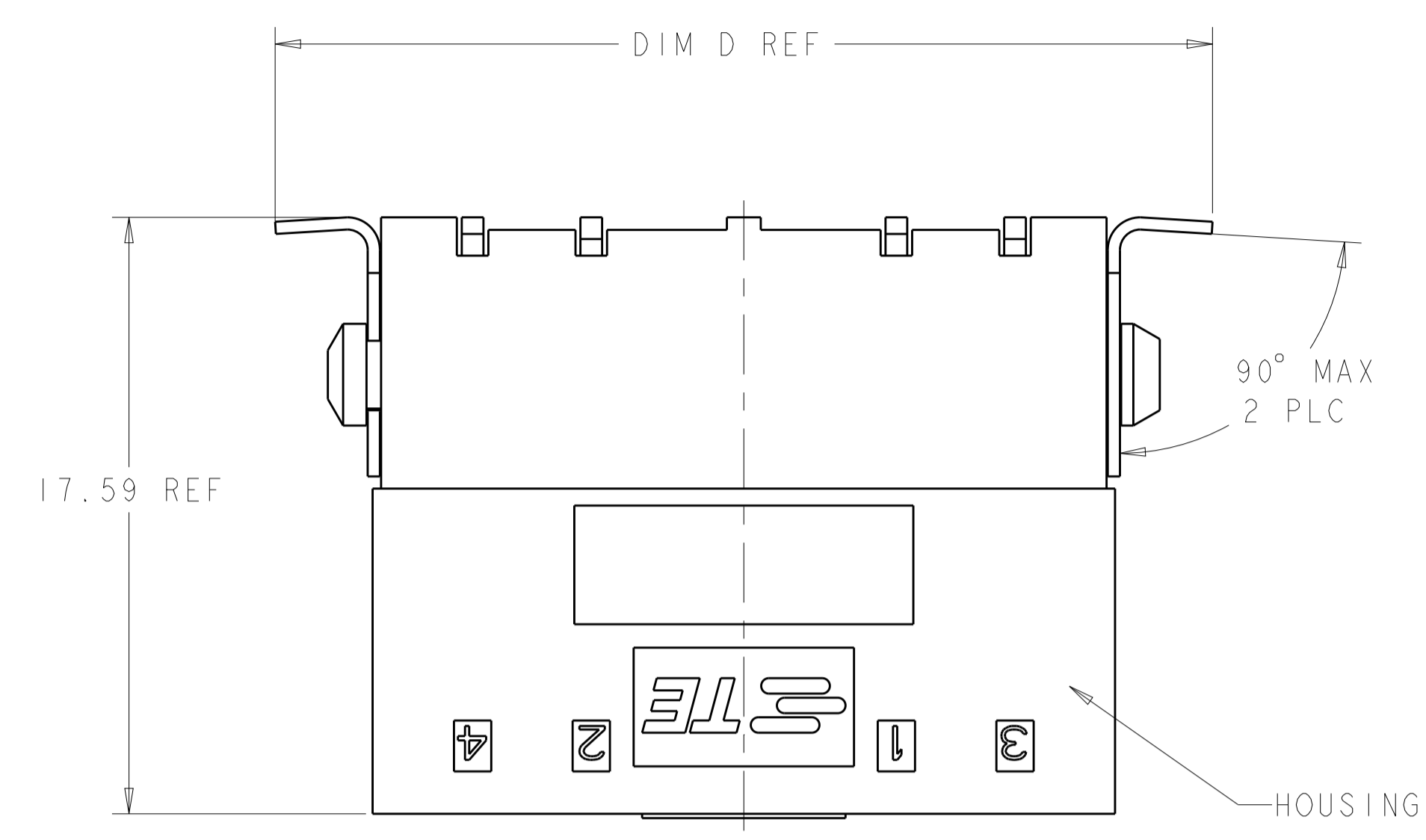
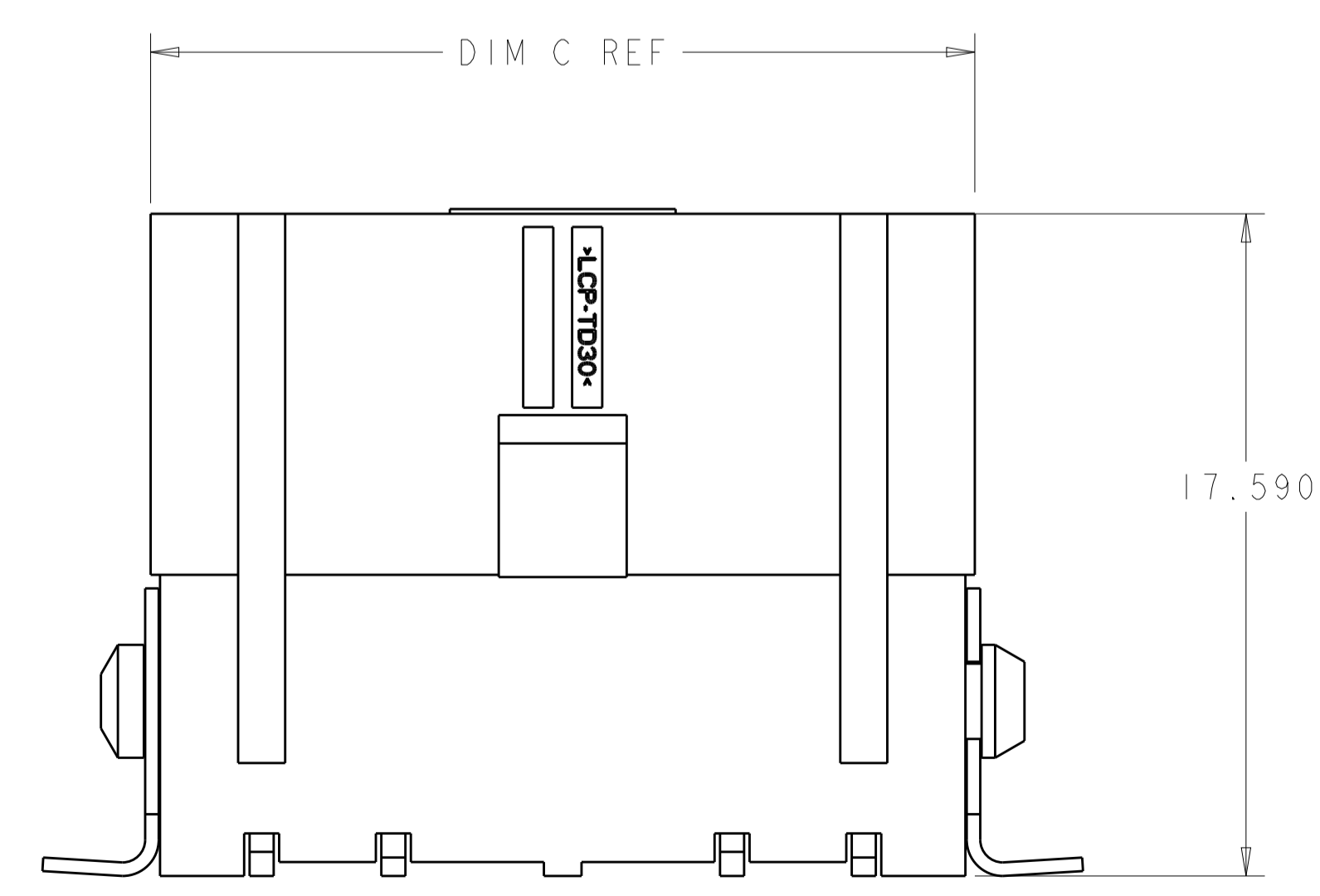
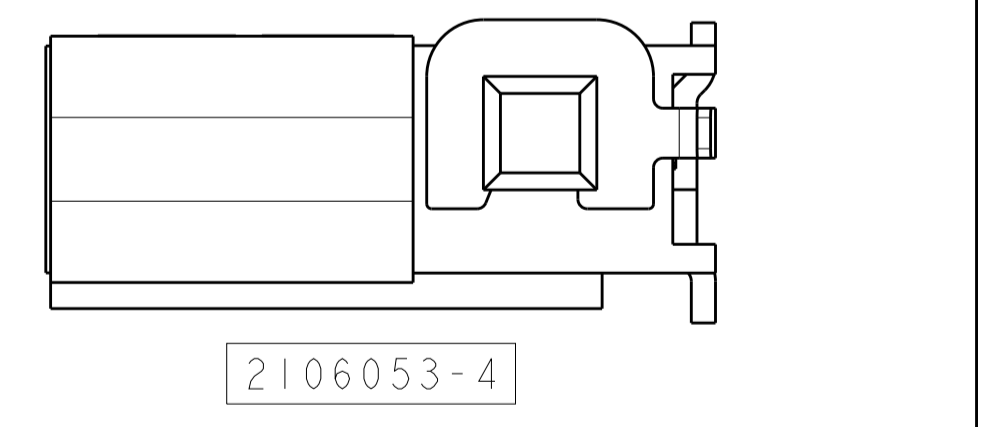
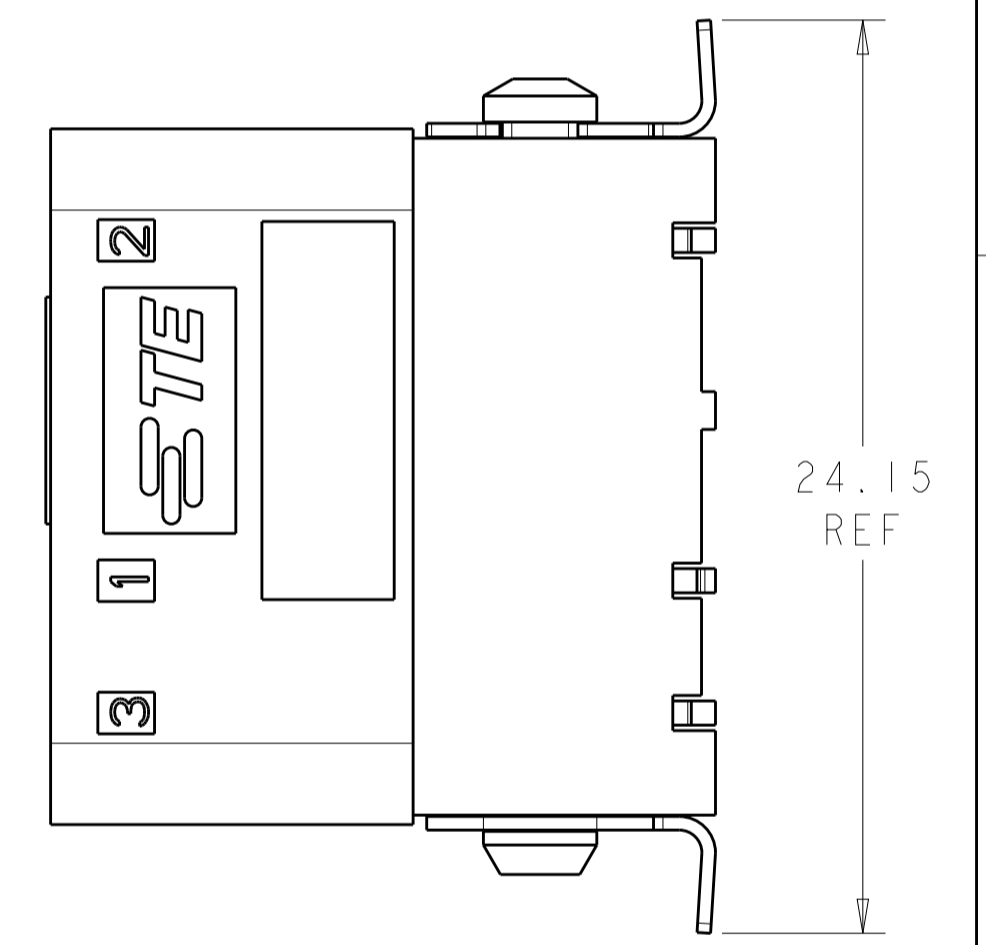
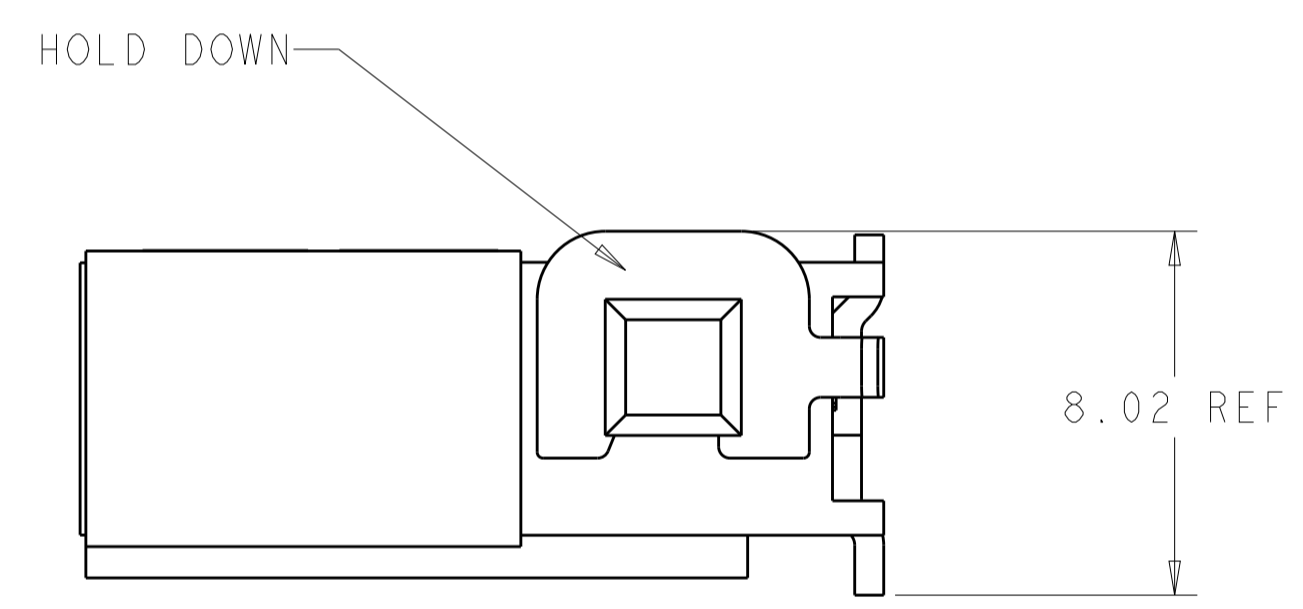
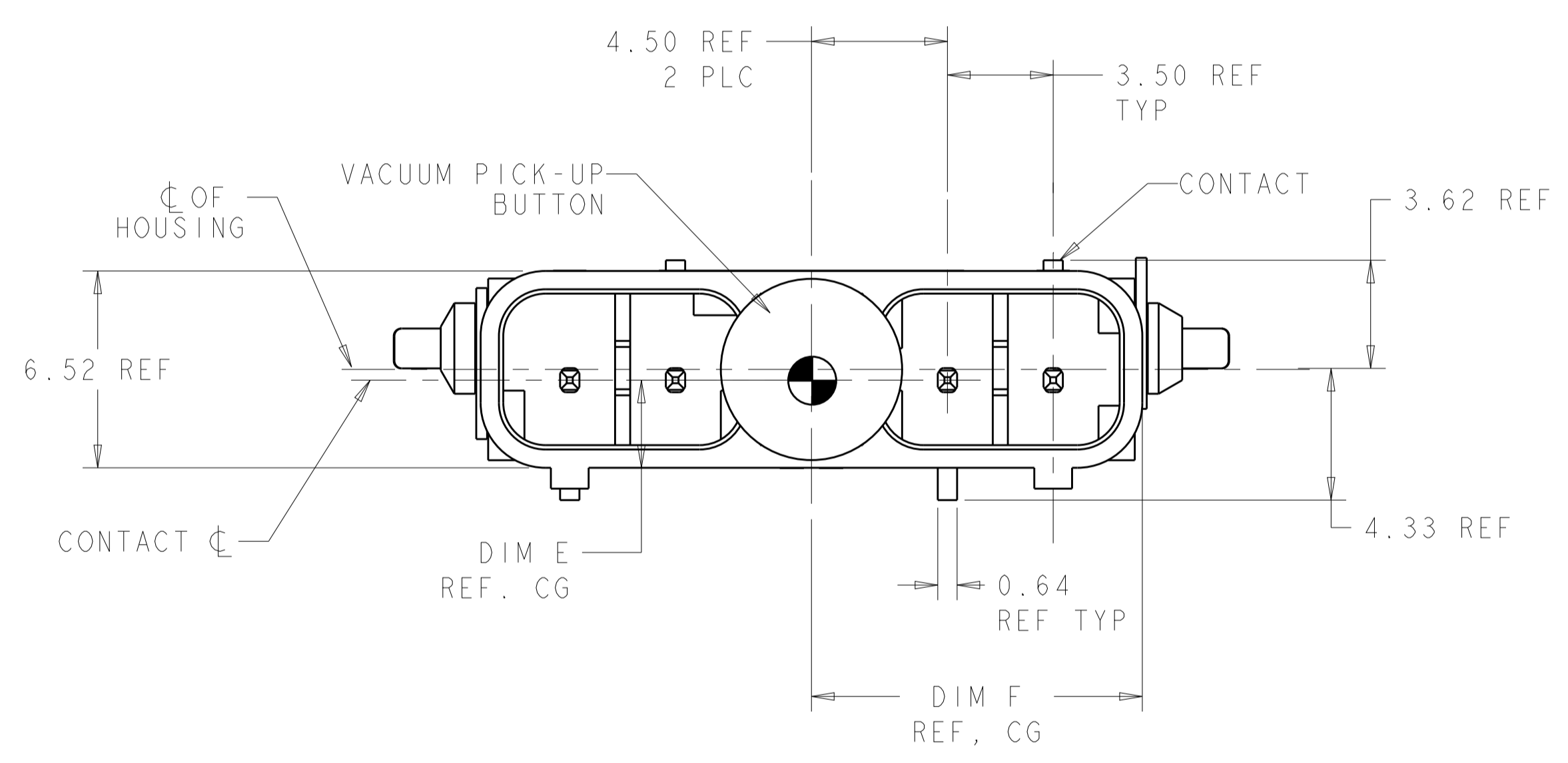
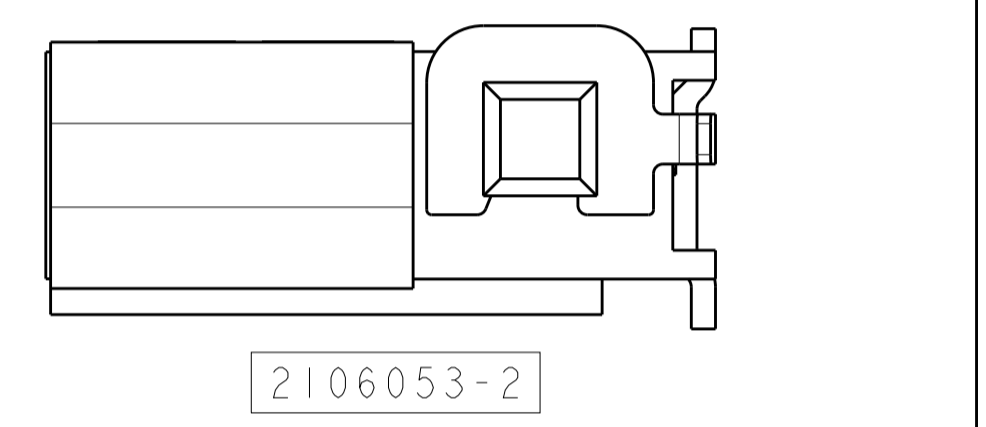
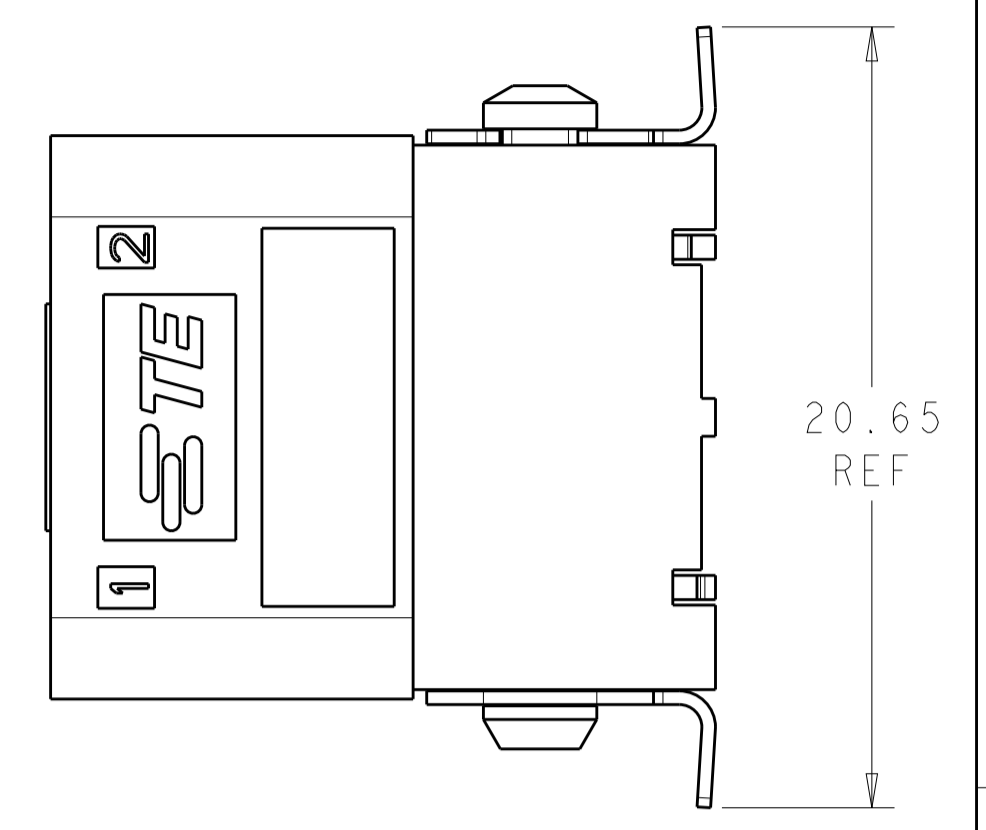


| LOC |     | DIST                      |           | REVISIONS |      |  |  |
|-----|-----|---------------------------|-----------|-----------|------|--|--|
| P   | LTN | DESCRIPTION               | DATE      | DMN       | APVD |  |  |
| A2  |     | REVISED PER ECO-12-003780 | 25FEB2012 | HVG       | DD   |  |  |
| B   |     | REVISED PER ECR-13-008007 | 17SEP2013 | RS        | DD   |  |  |
| B1  |     | REVISED PER ECR-19-010402 | 04JUL2019 | SR        | DD   |  |  |
| B2  |     | REVISED PER ECR-19-019415 | 16DEC2019 | SB        | DD   |  |  |



- 1 MATERIAL: HOUSING: LCP, COLOR: BLACK.
- 2 CONTACTS: BRASS.  
FINISH: 2.54µm MIN MATTE TIN OVER NICKEL (ENTIRE POST).  
HOLDDOWN: COPPER ALLOY.  
FINISH: 2.54µm MIN MATTE TIN OVER NICKEL.
- 3 VACUUM PICK-UP  
BUTTON: POLYIMIDE.
- 4 THIS PRODUCT HAS NOT COMPLETED VALIDATION TESTING.
- 5 RECOMMENDED PC BOARD THICKNESS OF 1.57.
- 6 TAPE AND REEL PACKAGING PER EIA-481 SPEC.
- 7 MUST COMPLY WITH DIRECTIVE 2002/95/EC (ROHS).



| 10.94 | 3.19  | 27.65 | 21.90 | 12.46 | 12.46 | 4    | 2106053-6   |
|-------|-------|-------|-------|-------|-------|------|-------------|
| 9.20  | 3.20  | 24.15 | 18.40 | 8.96  | 12.46 | 3    | 2106053-4   |
| 7.44  | 3.18  | 20.65 | 14.90 | 8.96  | 8.96  | 2    | 2106053-2   |
| DIM F | DIM E | DIM D | DIM C | DIM B | DIM A | POSN | PART NUMBER |

THIS DRAWING IS A CONTROLLED DOCUMENT. DMN: HM VAN SCOY 23JAN2009  
 CHK: A. BUCHER 23JAN2009  
 APVD: A. BUCHER 23JAN2009

**STE** TE Connectivity

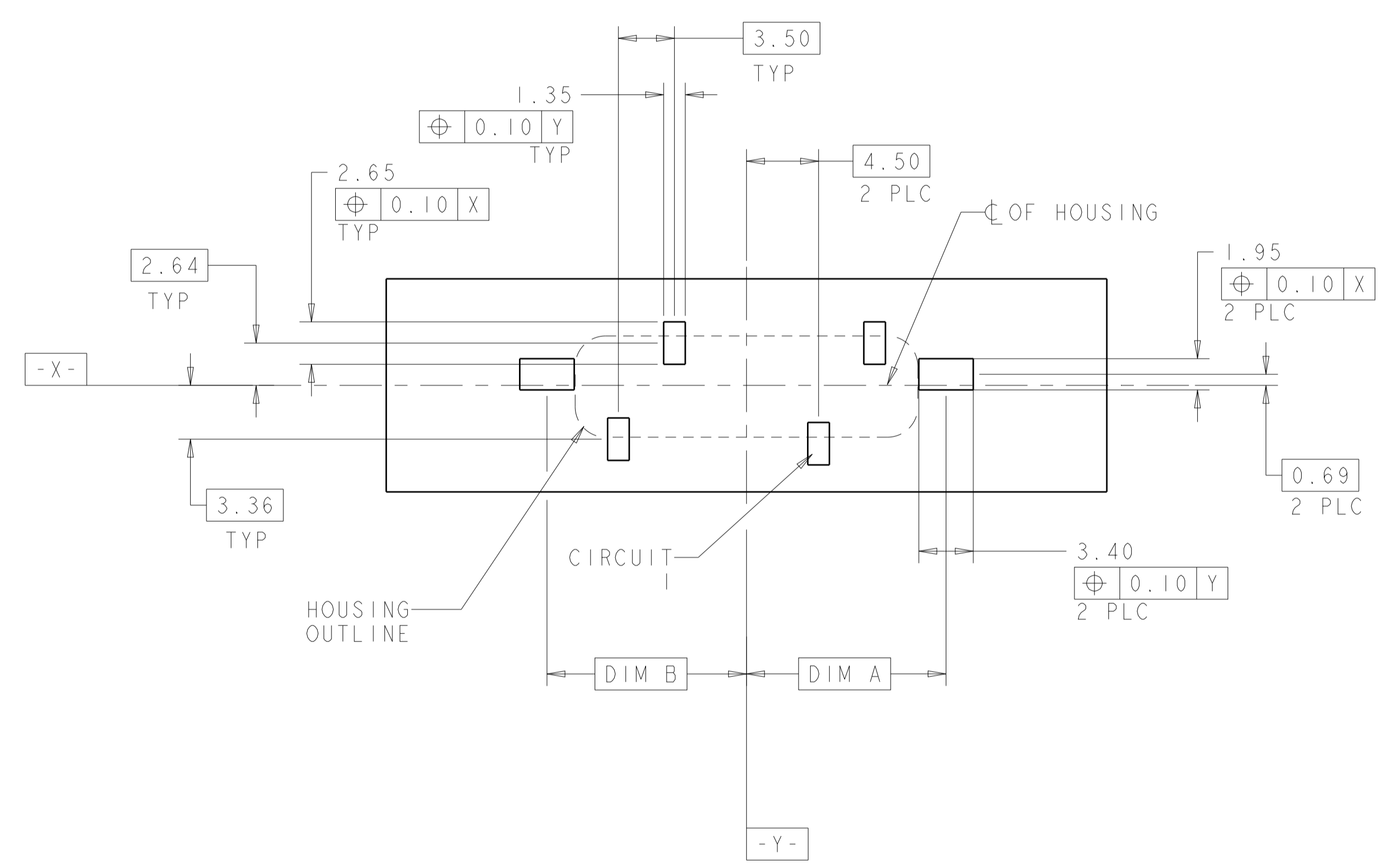
ASSEMBLY, VERTICAL SMT HEADER, SLIMSEAL SSL CONNECTOR

PRODUCT SPEC: 108-2391  
 APPLICATION SPEC: 114-13261  
 WEIGHT: -  
 CUSTOMER DRAWING

DIMENSIONS: mm  
 TOLERANCES UNLESS OTHERWISE SPECIFIED:  
 0 PLC ±0.2  
 1 PLC ±0.15  
 2 PLC ±0.15  
 3 PLC ±0.15  
 4 PLC ±0.15  
 ANGLES ±0.5°

SCALE: 4:1 SHEET 1 OF 2 REV: B2

| LOC | DIST | REVISIONS   |      |     |      |
|-----|------|-------------|------|-----|------|
| P   | LTN  | DESCRIPTION | DATE | DWN | APVD |
| -   | -    | SEE SHEET 1 | -    | -   | -    |
|     |      |             |      |     |      |
|     |      |             |      |     |      |



RECOMMENDED PC BOARD PAD LAYOUT, COMPONENT SIDE  
 DIMENSIONS APPLY TO ALL POSITIONS UNLESS OTHERWISE NOTED

RECOMMENDED SOLDER PASTE VOLUME 1.59 CUBIC MILLIMETERS FOR THE CONTACT AND 1.08 CUBIC MILLIMETERS FOR THE SMT HOLD DOWN WHEN USING 80% METALLIC SOLIDS SOLDER PASTE. THE SOLDER STENCIL THICKNESS SHOULD BE 0.16 mm OR GREATER.

|   |  |                             |   |
|---|--|-----------------------------|---|
| THIS DRAWING IS A CONTROLLED DOCUMENT.  |  | DWN: MM VAN SCOY 23JAN2009  | TE Connectivity   |
| DIMENSIONS: mm  |  | CHK: A. BUCHER 23JAN2009    |   |
| TOLERANCES UNLESS OTHERWISE SPECIFIED:<br>0 PLC ±0.2<br>1 PLC ±0.15<br>2 PLC ±0.1<br>3 PLC ±0.1<br>4 PLC ±0.1<br>ANGLES ±0° |  | APVD: A. BUCHER 23JAN2009   | NAME: ASSEMBLY, VERTICAL SMT HEADER, SLIMSEAL SSL CONNECTOR |
| MATERIAL:  FINISH:  |  | PRODUCT SPEC: 108-2391      | RESTRICTED TO:  |
|   |  | APPLICATION SPEC: 114-13261 | SIZE: A1  |
|   |  | WEIGHT: -                   | CAGE CODE: 2106053  |
|   |  | CUSTOMER DRAWING            | SCALE: 4:1 SHEET 2 OF 2 REV: B2                             |