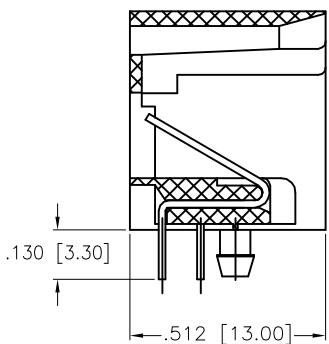
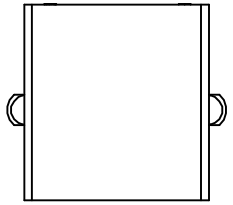
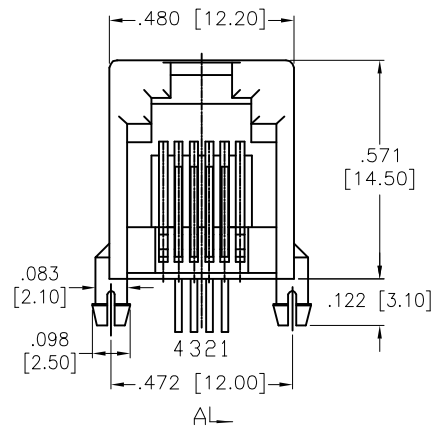


Rev	AWO #	Description	Date	Appr
-		RELEASED	2/17/11	
A		REDRAWN	12/14/15	AY/NC
B		UPDATED DRAWING	9/23/16	HR/RT
C		UPDATED DRAWING	12/11/18	HR/RT

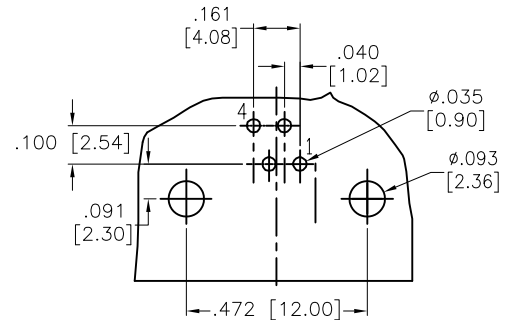
APPROVED: \_\_\_\_\_  
DATE: \_\_\_\_\_ TITLE: \_\_\_\_\_



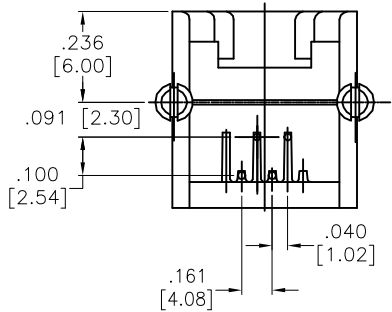
SECTION A-A



AL



RECOMMENDED PCB LAYOUT



**SPECIFICATIONS:**  
**Material:**  
 Insulator: PBT, rated UL 94V-0  
 Insulator color: Gray  
 Contacts: Phosphor Bronze  
**Plating:**  
 Round contact  
 Gold over Nickel underplate overall  
 Flat contact  
 Gold over Nickel underplate on contact area,  
 Tin over Nickel underplate on solder tails  
**Electrical:**  
 Voltage rating: 150 VAC RMS  
 Current rating: 1.5 Amp  
 Contact resistance: 20 mohms max.  
 Insulation resistance: 1,000 Mohms min. @ 500 VDC  
 Dielectric withstanding voltage: 1,000 VAC or 1,500 VDC RMS for 1 minute  
**Temperature Rating:**  
 Operating temperature: -40°C to +85°C  
**Environmental:**  
 Lead free, RoHS compliant.



UNLESS OTHERWISE SPECIFIED ALL DIMENSIONS ARE INCHES [MM] TOLERANCES: EXCEPT AS NOTED			
INCHES		HOLES	
.X	± .10	Ø.X	± .10
.XX	± .020	Ø.XX	± .015
.XXX	± .015	Ø.XXX	± .010
APPROVALS		DATE	
DRAWN	AY	2/17/11	
CHECKED	VW	2/17/11	
APPROVED			

**ADAM TECH INTERCONNECTS**  
 909 Rahway Avenue,  
 Union, NJ 07083  
 Phone: 908-687-5000  
 Fax: 908-687-5710

TITLE MODULAR TELEPHONE JACK, 6P4C RIGHT ANGLE, PCB, COLOR GRAY			
SIZE X	PART NO. MTJ-642BX2	REV. C	
REF: S00005C	SCALE: NTS	SHEET 1 OF 1	