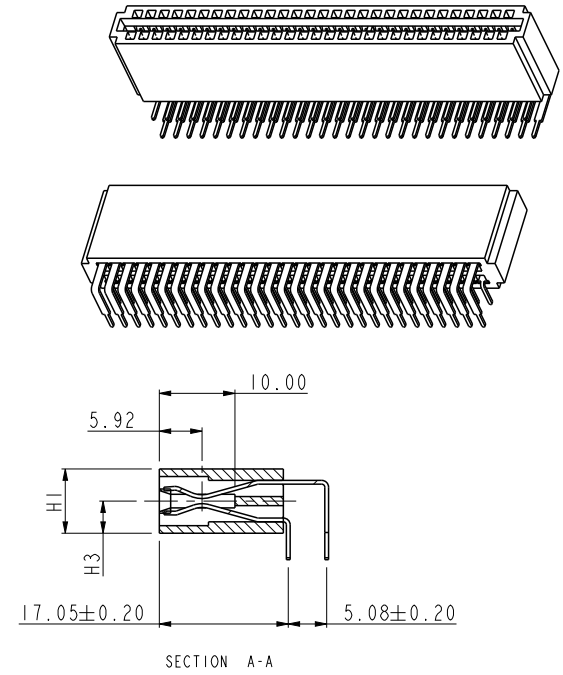
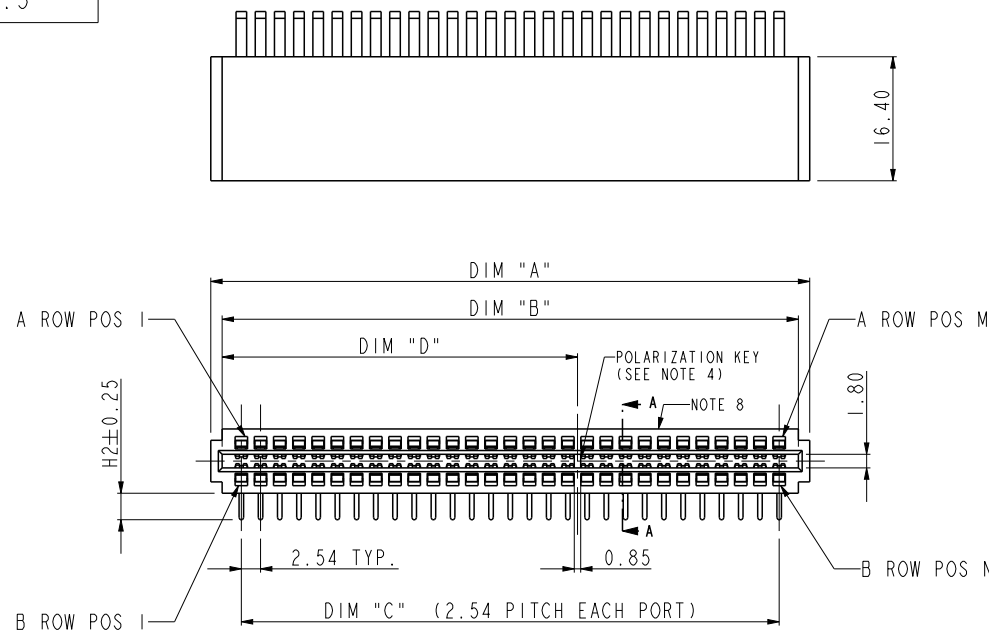


PRODUCT NO.  
10035388-XXX\_ \_  
NOTE: 5



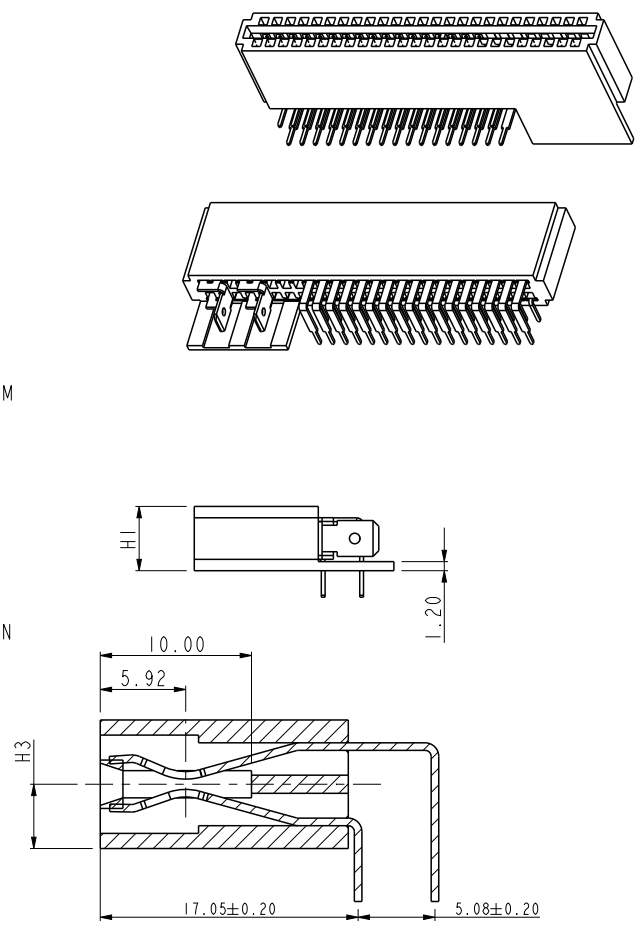
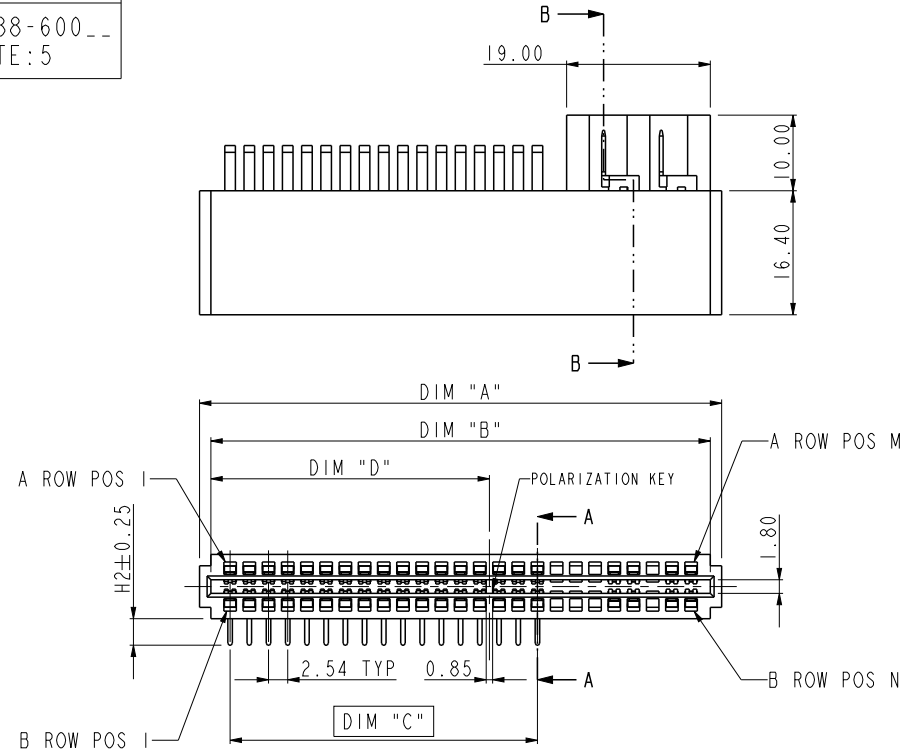
- NOTES:
- MATERIAL:  
HOUSING: HIGH TEMPERATURE THERMOPLASTIC, UL 94 V-0 RATED, BLACK.  
TERMINAL: HIGH CONDUCTIVITY COPPER ALLOY.
  - PRODUCT SPECIFICATION: GS-12-259.
  - PACKAGE SPECIFICATION: GS-14-937
  - THERE IS NO POLARIZATION KEY IN 10035388-102/102A/103/104/105/106/107/108/110/114/119/120/121/122/123/125/126/126A/202/203/204/205/206/207/500/700/800/802/902/903/904/905/909/910/911/912/913.
  - PLATING SPEC:  
10035388-XXX:  
POWER PIN: CONTACT AREA - 30u" GOLD OVER 50u" NICKEL UNDER PLATED.  
SOLDER TAIL - 100u" TIN/LEAD OVER 50u" NICKEL UNDER PLATED.  
AC TERMINAL: 50u" NICKEL UNDER PLATED; 30u" GOLD ON CONTACT AREA.  
10035388-XXXLF:  
POWER PIN: CONTACT AREA - 30u" GOLD OVER 50u" NICKEL UNDER PLATED.  
SOLDER TAIL - 100u" PURE MATTE TIN OVER 50u" NICKEL UNDER PLATED.  
AC TERMINAL: 50u" NICKEL UNDER PLATED; 30u" GOLD ON CONTACT AREA.

- P/N 10035388-XXXLF MEETS EUROPEAN UNION DIRECTIVE AND OTHER COUNTRY REGULATIONS AS DESCRIBED IN GS-22-008.
- THE HOUSING WILL WITHSTAND EXPOSURE TO 260°C PEAK TEMPERATURE FOR 10 SECONDS IN A WAVE SOLDER APPLICATION WITH A CIRCUIT BOARD.
- PRODUCT MARKING ON HOUSING IN AREA SHOWN MEETS AFCI SPECIFICATION: GS-24-007.

spec ref		*		dr De-Ming Lu 2014/08/06		<h1 style="text-align: center;">Amphenol Power Solutions</h1>		MM		scale 1:1		size A4	
tolerance std		TOLERANCES UNLESS OTHERWISE SPECIFIED		eng Wei-Cheng Guo 2023/05/31				ecn no ELX-DG-47812-1					
ISO 406 ISO 1101				r vwr - -				rel level Released					
surface		linear		0.X ±0.5		projection 		title POWER EDGE CARD CONNECTOR WITHOUT SIGNAL ASSY		cat. no. 10035388		rev AT	
ISO 1302		angular		0.XX ±0.25 0.XXX ±0.10						product family - Product - Customer Drw		sheet 1 of 7	
				appr Zheng, Pei-Min 2023/06/02		A Division of Amphenol Corporation amphenol-icc.com							

Creo File:APH-PBR-ACC,REV B,2021-09-07

PRODUCT NO.  
10035388-600\_\_  
NOTE: 5



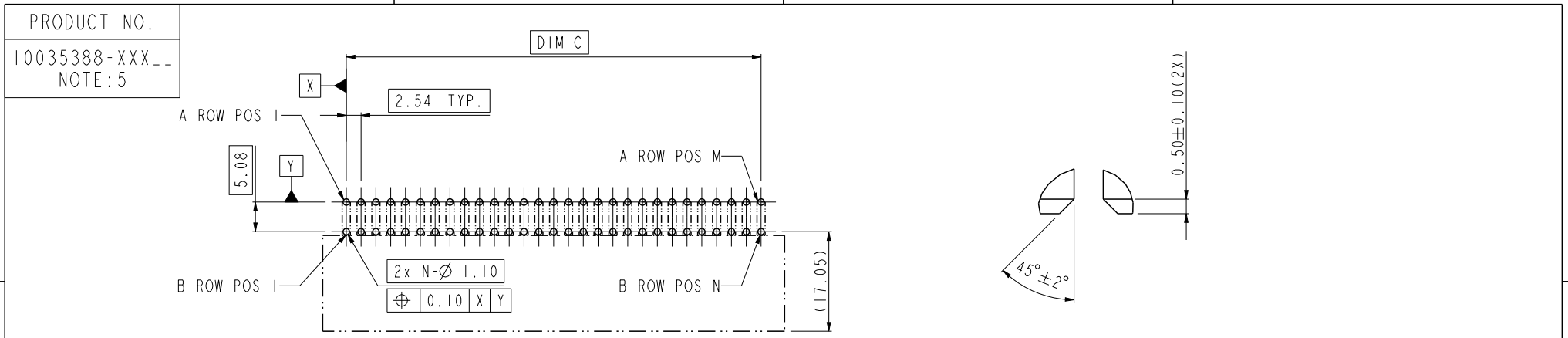
NOTE:  
(APPLY TO 10035388-600\_\_ AS ADDITIONAL)  
10. THE EMPTY POSITIONS ARE 18, 19, 20, 23.  
11. THERE ARE 2 AC TERMINALS.

SECTION A-A  
SCALE 2:1

SECTION B-B  
SCALE 2:1

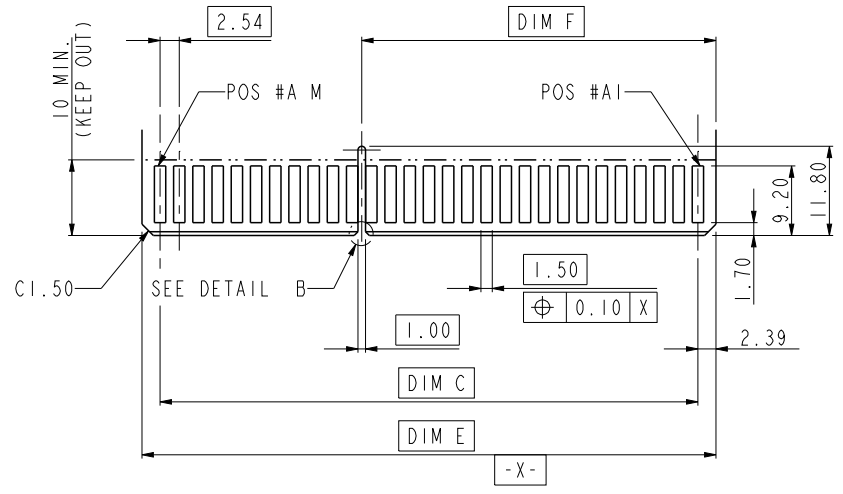
spec ref *		dr De-Ming Lu 2014/08/06		<h1 style="text-align: center;">Amphenol Power Solutions</h1> <p style="text-align: center;">A Division of Amphenol Corporation amphenol-icc.com</p>		MM		scale 1:1	size A4												
tolerance std		eng Wei-Cheng Guo 2023/05/31				ecn no ELX-DG-47812-1															
ISO 406 ISO 1101		r vwr -				rel level Released															
TOLERANCES UNLESS OTHERWISE SPECIFIED		appr Zheng, Pei-Min 2023/06/02		title POWER EDGE CARD CONNECTOR		10035388		rev													
surface -		projection		WITHOUT SIGNAL ASSY		cat. no. -		AT													
ISO 1302		<table border="1"> <tr> <td>linear</td> <td>0.X</td> <td>±0.5</td> </tr> <tr> <td></td> <td>0.XX</td> <td>±0.25</td> </tr> <tr> <td></td> <td>0.XXX</td> <td>±0.10</td> </tr> <tr> <td>angular</td> <td>0°</td> <td>±2°</td> </tr> </table>		linear	0.X	±0.5		0.XX	±0.25		0.XXX	±0.10	angular	0°	±2°	product family - Product - Customer Drw		sheet 2 of 7			
linear	0.X	±0.5																			
	0.XX	±0.25																			
	0.XXX	±0.10																			
angular	0°	±2°																			

Creo File: APH-PWR-ACC; REV B; 2021-09-07



RECOMMENDED PCB LAYOUT

DETAIL B  
SCALE 5:1



RECOMMENDED DAUGHTER CARD LAYOUT (TOP SIDE)

DETAIL A  
SCALE 5:1

spec ref		*		dr	De-Ming Lu	2014/08/06	<h1 style="margin: 0;">Amphenol Power Solutions</h1>		MM		scale	size	
tolerance std		TOLERANCES UNLESS OTHERWISE SPECIFIED		eng	Wei-Cheng Guo	2023/05/31			←		1:1	A4	
ISO 406 ISO 1101				rwr	-	-			ecn no		ELX-DG-47812-1		
ISO 1302				appr	Zheng, Pei-Min	2023/06/02	A Division of Amphenol Corporation		amphenol-icc.com		rel level		Released
surface	linear	0.X	±0.5	projection		title	POWER EDGE CARD CONNECTOR		dwg no	10035388		rev	AT
		0.XX	±0.25				WITHOUT SIGNAL ASSY			cat. no.	-		
	angular	0°	±2°				product family	-	Product - Customer Drw		sheet 3 of 7		

Creo File: APH-PWR-ACC; REV B; 2021-09-07



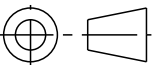


	PRAT NO.	DIM"A"	DIM"B"	DIM"C"	DIM"D"	DIM"E"	DIM"F"	H1	H2	H3	PIN CONFIGURATION	M	N
A	10035388-107 10035388-107LF	69.04	66.04	60.96	N/A	65.74	N/A	8.50	3.50	4.25	A1  A25 B1  B25	25	25
	10035388-913 10035388-913LF	25.86	22.86	17.78	N/A	22.56	N/A	8.50	3.50	4.25	ALL LOADED	8	8
	10035388-902 10035388-902LF	94.44	91.44	86.36	N/A	91.14	N/A	8.50	3.50	4.25	A1  A35 B1  B35	35	35
B	10035388-108 10035388-108LF	69.04	66.04	60.96	N/A	65.74	N/A	8.50	3.50	4.25	A1  A25 B1  B25	25	25
	10035388-206 10035388-206LF	84.28	81.28	76.20	N/A	80.98	N/A	8.50	3.50	4.25	A1  A31 B1  B31	31	31
	10035388-110 10035388-110LF	69.04	66.04	60.96	N/A	65.74	N/A	8.50	3.50	4.25	A1  A25 B1  B25	25	25
C	10035388-204 10035388-204LF	81.74	78.74	73.66	N/A	78.44	N/A	8.50	3.50	4.25	ALL LOADED	30	30
	10035388-114 10035388-114LF	41.10	38.10	33.02	N/A	37.80	N/A	8.50	3.50	4.25	ALL LOADED	14	14
	10035388-119 10035388-119LF	94.44	91.44	86.36	N/A	91.14	N/A	8.50	3.50	4.25	A1  A35 B1  B35	35	35
D	10035388-120 10035388-120LF	69.04	66.04	60.96	N/A	65.74	N/A	8.50	3.50	4.25	A1  A25 B1  B25	25	25
	10035388-121 10035388-121LF	48.72	45.72	40.64	N/A	45.42	N/A	8.50	3.50	4.25	A1  A17 B1  B17	17	17
	10035388-122 10035388-122LF	76.66	73.66	68.58	N/A	73.36	N/A	8.50	3.50	4.25	A1  A28 B1  B28	28	28
D	10035388-123 10035388-123LF	69.04	66.04	60.69	N/A	65.74	N/A	8.50	3.50	4.25	A1  A25 B1  B25	25	25
	10035388-125 10035388-125LF	41.10	38.10	33.02	N/A	37.80	N/A	8.50	3.50	4.25	A1  A14 B1  B14	14	14
	10035388-126 10035388-126LF	41.10	38.10	33.02	N/A	37.80	N/A	8.50	3.50	4.25	A1  A14 B1  B14	14	14
	10035388-207 10035388-207LF	81.74	78.74	73.66	N/A	78.44	N/A	8.50	3.50	4.25	A1  A30 B1  B30	30	30

spec ref	*	dr	De-Ming Lu	2014/08/06		MM	scale	size	
tolerance std	TOLERANCES UNLESS OTHERWISE SPECIFIED	eng	Wei-Cheng Guo	2023/05/31		←	1:1	A4	
ISO 406 ISO 1101		r vwr	-	-		→	ec n no	ELX-DG-47812-1	
surface	linear	appr	Zheng, Pei-Min	2023/06/02	A Division of Amphenol Corporation		amphenol-icc.com	rel level	Released
ISO 1302	angular	projection		POWER EDGE CARD CONNECTOR	cat. no.	10035388		rev	AT
				WITHOUT SIGNAL ASSY					
		product family	-	Product - Customer Drw				sheet 6 of 7	

Creo File:APH-PWR-ACC\_REV B\_2021-05-07

PRAT NO.	DIM"A"	DIM"B"	DIM"C"	DIM"D"	DIM"E"	DIM"F"	H1	H2	H3	PIN CONFIGURATION	M	N																																								
10035388-126A 10035388-126ALF	41.10	38.10	33.02	N/A	37.80	N/A	8.50	5.00	4.25	AI <table border="1"><tr><td>P</td><td>P</td><td>P</td><td>P</td><td>P</td><td>P</td><td>P</td><td>P</td><td>P</td><td>P</td></tr></table> A14 BI <table border="1"><tr><td>P</td><td>P</td><td>P</td><td>P</td><td>P</td><td>P</td><td>P</td><td>P</td><td>P</td><td>P</td></tr></table> B14	P	P	P	P	P	P	P	P	P	P	P	P	P	P	P	P	P	P	P	P	14	14																				
P	P	P	P	P	P	P	P	P	P																																											
P	P	P	P	P	P	P	P	P	P																																											
10035388-400A 10035388-400ALF	61.42	58.42	53.34	29.21	58.12	29.06	8.50	5.00	4.25	ALL LOADED	22	22																																								
10035388-102A 10035388-102ALF	69.04	66.04	60.96	N/A	65.74	N/A	8.50	5.00	4.25	ALL LOADED	25	25																																								
10035388-501LF	81.74	78.74	73.66	N/A	78.44	N/A	8.50	3.50	4.25	AI <table border="1"><tr><td>P</td><td>P</td><td>P</td><td>P</td><td>P</td><td>P</td><td>P</td><td>P</td><td>P</td><td>P</td><td>P</td><td>P</td><td>P</td><td>P</td><td>P</td><td>P</td><td>P</td><td>P</td><td>P</td><td>P</td></tr></table> A30 BI <table border="1"><tr><td>P</td><td>P</td><td>P</td><td>P</td><td>P</td><td>P</td><td>P</td><td>P</td><td>P</td><td>P</td><td>P</td><td>P</td><td>P</td><td>P</td><td>P</td><td>P</td><td>P</td><td>P</td><td>P</td><td>P</td></tr></table> B30	P	P	P	P	P	P	P	P	P	P	P	P	P	P	P	P	P	P	P	P	P	P	P	P	P	P	P	P	P	P	P	P	P	P	P	P	P	P	P	P	30	30
P	P	P	P	P	P	P	P	P	P	P	P	P	P	P	P	P	P	P	P																																	
P	P	P	P	P	P	P	P	P	P	P	P	P	P	P	P	P	P	P	P																																	

spec ref *		dr De-Ming Lu		2014/08/06		<h1 style="text-align: center;">Amphenol Power Solutions</h1>		MM		scale 1:1		size A4	
tolerance std		eng Wei-Cheng Guo		2023/05/31				ec n no ELX-DG-47812-1					
ISO 406 ISO 1101		r vwr -		-				rel level Released					
surface -		linear		0.X ±0.5		projection 		title POWER EDGE CARD CONNECTOR WITHOUT SIGNAL ASSY		dng no 10035388		rev AT	
ISO 1302		angular		0.XXX ±0.25 0.XXX ±0.10 0° ±2°						cat. no. -		product family - Product - Customer Drw	

Creo File:APH-PWR-ACC;REV B;2021-09-07