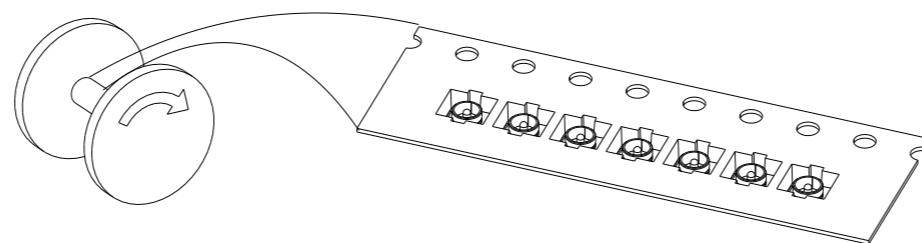
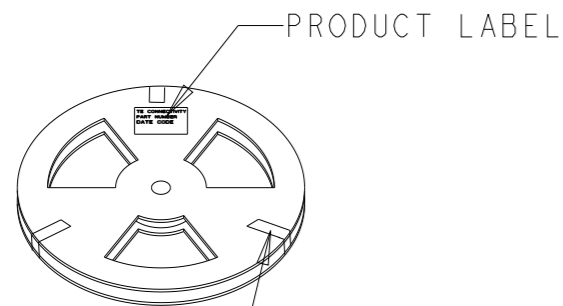


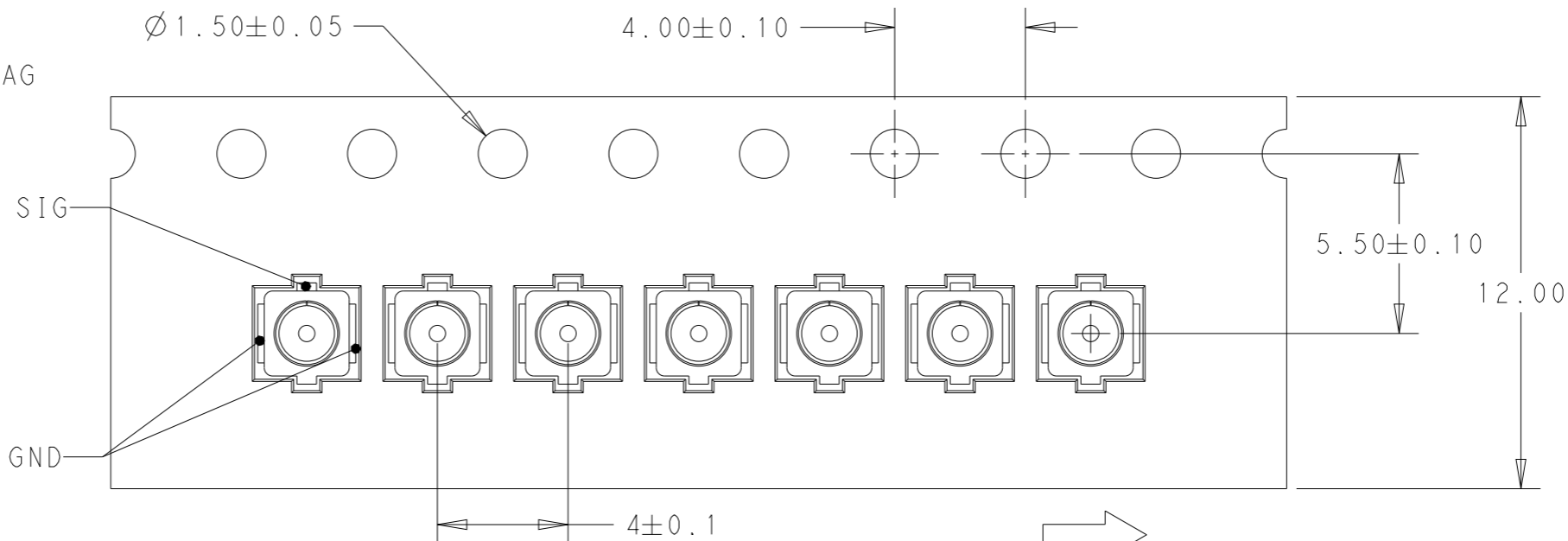
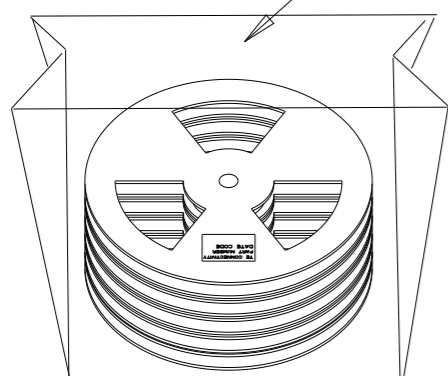
REVISIONS

P	LTR	DESCRIPTION	DATE	DWN	APVD
-	-	SEE SHEET 1	-	-	-



TRANSPARENT TAPE (*3)

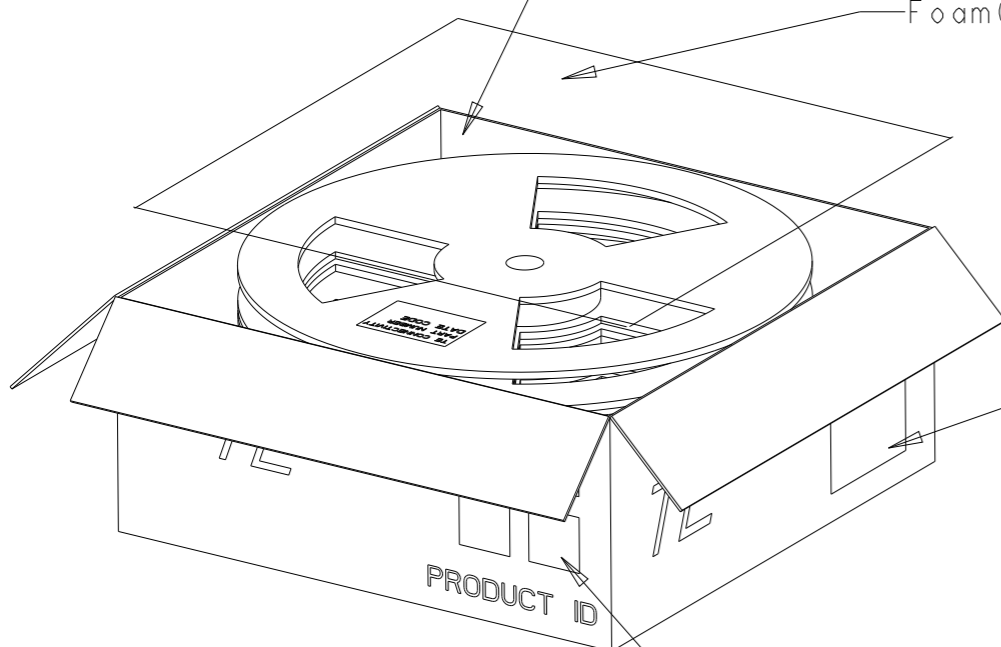
WATERPROOF BAG



➔ USER DIRECTION OF UNREELING

TRIANGULAR CARDBOARD (*4)

Foam (*2)





SIDE OF BOX
CUSTOMER LABEL

SHIPMENT LABEL
 RoHs LABEL
 PRODUCT LABEL

PRODUCT ID

NOTE
 10000 PCS / REEL
 6 REEL / BOX
 60000 PCS / BOX
 REEL DIAM : 380mm
 MATERIAL : PS 0.3mm
 REEL INNER WIDTH : 13±0.2
 REEL OUTER WIDTH : 18±0.2
 LEADER : 400mm MIN
 COVER TAPE LEGTH IN LEADER : 50mm MIN
 EMPTY IN LEADER : 500mm
 TRAILER(EMPTY) : 160mm MIN

THIS DRAWING IS A CONTROLLED DOCUMENT.		DWN H. TAMURA	23MAY2018	 TE Connectivity	
DIMENSIONS: mm		CHK -	APVD -		
		TOLERANCES UNLESS OTHERWISE SPECIFIED: ±0.15		NAME RF, RECEPTACLE CONNECTOR GENERATION 1 COMPATIBLE WITH MHF	
MATERIAL -		FINISH -		PRODUCT SPEC -	APPLICATION SPEC -
-		-		WEIGHT -	SIZE A3
-		-		CAGE CODE -	
-		-		DRAWING NO C-2337019	
-		-		RESTRICTED TO -	
-		-		CUSTOMER DRAWING	SCALE NTS
-		-		SHEET 2 OF 2	REV A4