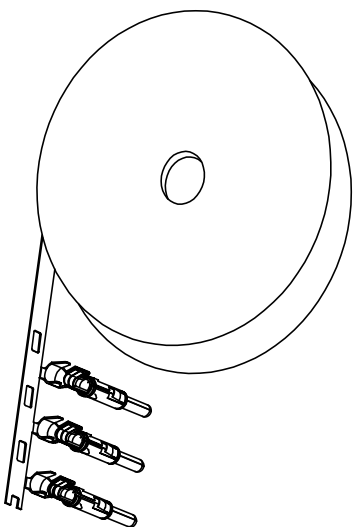
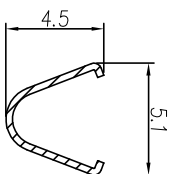


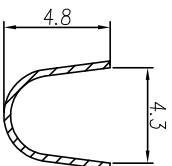
REVOLUTIONS				
REV	ECO	DESCRIPTION	DATE	BY
A1	-	RELEASED DRAWING	Sept-7-2016	Ben
A2	-	Updating Drawing	Oct-16-17	Tommy



CONTACT ORIENTATION ON ROLL



SECTION C-C

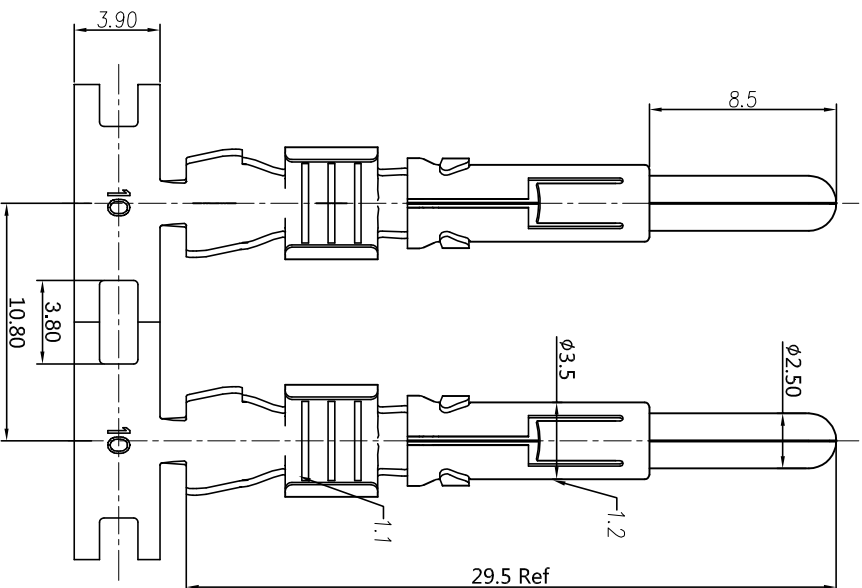


SECTION D-D

NOTES : (UNLESS OTHERWISE SPECIFIED)

1. MATERIAL :
  - 1.1. CONTACT BODY : COPPER ALLOY.
  - 1.2. OUTER SPRING : STAINLESS STEEL.
2. SPECIFICATIONS :
  - 2.1 CURRENT RATING : 23A MAX.
  - 2.2 TERMINATION TYPE : CRIMPING.
  - 2.3 WIRE RANGE : 4.0mm<sup>2</sup>.
  - 2.4 WIRE INSULATION DIA(MAX) :  $\phi$ 4.3mm.
3. ROHS COMPLIANT.
4. ALL DIMENSIONS ARE FOR REFERENCE USE ONLY.

P/N	CONTACT PLATING(MATING AREA)
SP12A1T-10	TIN PLATING OVER NICKEL.
SP12A1F-10	GOLD FLASH PLATING OVER NICKEL.
SP12A1G10-10	10 $\mu$ "GOLD PLATING OVER NICKEL.
SP12A1G15-10	15 $\mu$ "GOLD PLATING OVER NICKEL.
SP12A1G30-10	30 $\mu$ "GOLD PLATING OVER NICKEL.



QUANTITY	PART NUMBER	DESCRIPTION	ITEM
		<b>MATERIALS LIST</b>	

SIGNATURES	DATE
DRAWN: Ben	02/16/17
CHECKED: Tod	02/16/17
ENGINEER: Tommy	02/16/17
APPROVAL: Tommy	02/16/17

UNLESS OTHERWISE SPECIFIED TYPED DIMENSIONS ARE IN MILLIMETERS. 2) Tolerances are as follows: 1 PL, DEC & 0.30 Fractions, ±1/64 3 PL, DEC & 0.08 Angles, ±1° 3) Note reference = $\Delta$	PROCESS SPECIFICATIONS:	MATERIAL SPECIFICATIONS:	TEST SPECIFICATIONS:
TESTING: 100% VISUAL INSPECTION FOR DEFECTS. SPECIFICATIONS AND PERFORMANCE DATA ARE THE PROPERTY OF AMPHENOL CORPORATION. NO PARTS OF REPRODUCTION ARE PERMITTED. ALL MANUFACTURING VARIATIONS MUST BE APPROVED BY AMPHENOL CORPORATION.	STAMPED: 4.0mm <sup>2</sup> , 2.5mm CONTACT	ECO-MATE PIN CONTACT	SCALE: NONE

**Amphenol**

Site Systems - [www.amphenol-site.com](http://www.amphenol-site.com)  
44724 Morley Drive  
Clinton Township, MI 48036

SP12A1XX-10