

**DESIGNED & DIMENSIONED  
IN MILLIMETERS[INCHES]**

ZF5S-XX-XX-X-WT-X-XX

**No OF POSITIONS**  
-04 THRU -50  
(USE ZF5-XX AND  
ZF5C-XX)

**LEAD STYLE**  
-01: USE C-297-01-T  
-02: USE C-297-03-T  
-03: USE C-297-02-T & C-297-04-T

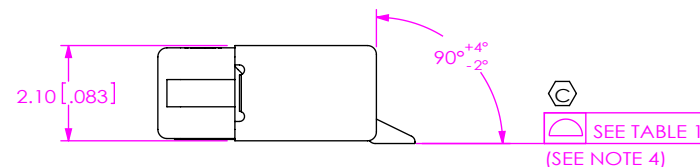
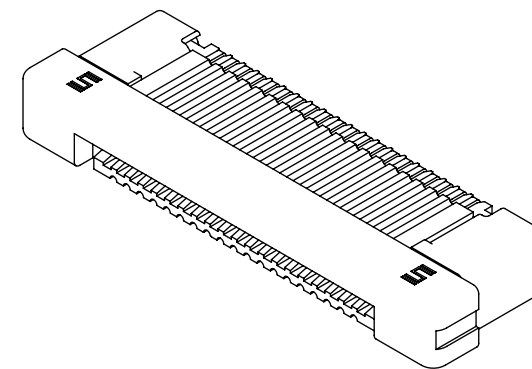
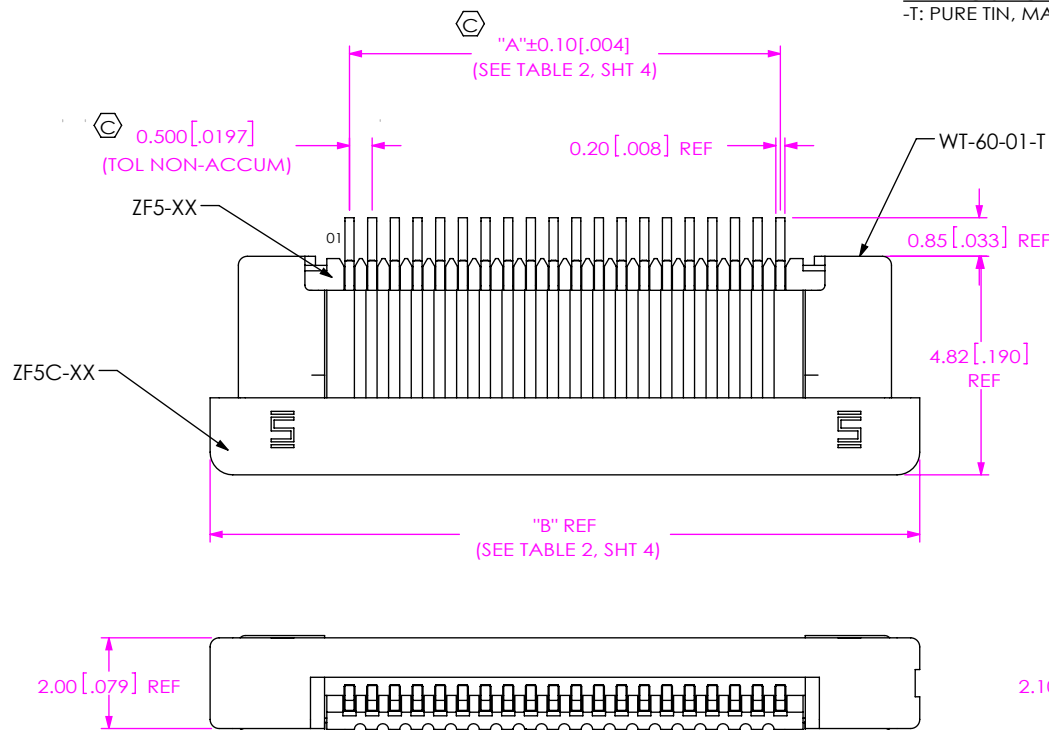
**PLATING SPECIFICATION**  
-T: PURE TIN, MATTE FINISH

**PACKAGING**  
BLANK: TUBES (SEE NOTE 8)  
-TR: TAPE & REEL (SEE NOTES 9 & 10)  
-FR: FULL REEL QTY TAPE & REEL  
(SEE NOTES 9 & 10)

**OPTION**  
-K: KAPTON PAD  
(N/A IN -03 LEAD STYLE)  
(USE K-DOT-.118-.219-.005)  
(SEE SHEET 4, FIG 3)

**WELD TAB**  
USE WT-60-01-T

DO NOT  
SCALE FROM  
THIS PRINT



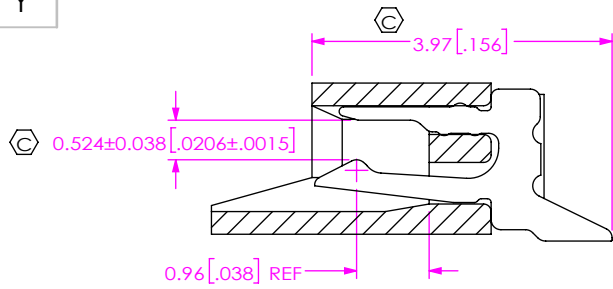
No OF POS.	COPLANARITY
-04 THRU -30	0.10 [0.004]
-31 THRU -50	0.15 [0.006]

**FIG 1**  
ZF5S-20-01-T-WT SHOWN  
(WITH CAM CLOSED)

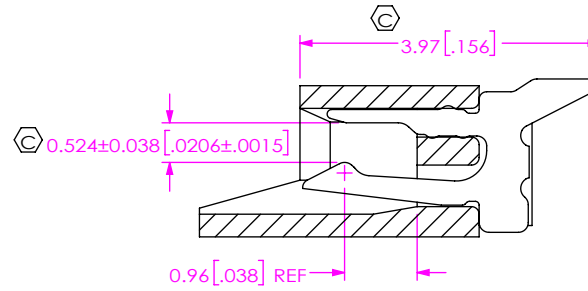
NOTES:

- ⊕ REPRESENTS A CRITICAL DIMENSION.
- MAXIMUM BURR ALLOWANCE: 0.025 [0.0010]
- MINIMUM PUSHOUT FORCE: 6 OZ
- CO-PLANARITY INCLUDES TAILS AND WELD TABS.
- WELD TAB RETENTION: 6 OZ
- BREAKOFF BURR NOT TO EXCEED 0.18 [0.007] AND MUST REMAIN ATTACHED.
- PIN 1 TO HAVE ORIENTATION AS SHOWN.
- TUBES ARE STANDARD PACKAGING.
- ORDERS WILL BE PACKAGED ACCORDING TO THE SAMTEC PACKAGING EFFICIENCY STANDARDS (SPES) FOUND ON WWW.SAMTEC.COM.
- ATTACH LABEL TO EACH REEL.

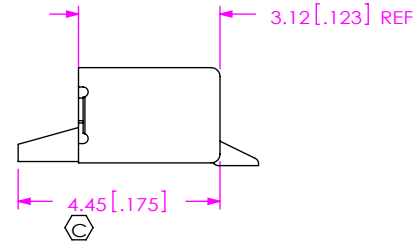
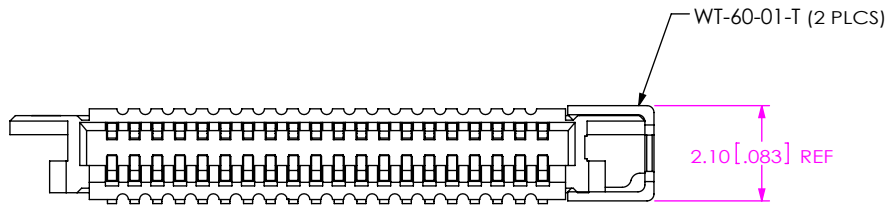
<p><b>UNLESS OTHERWISE SPECIFIED, DIMENSIONS ARE IN MILLIMETERS.</b></p> <p>TOLERANCES ARE:</p> <p>DECIMALS      ANGLES</p> <p>X.X: ±0.3 [0.1]      2°</p> <p>X.XX: ±0.13 [0.005]</p> <p>X.XXX: ±0.051 [0.0020]</p>	<p><b>PROPRIETARY NOTE</b></p> <p>THIS DOCUMENT CONTAINS CONFIDENTIAL AND PROPRIETARY INFORMATION AND ALL DESIGN, MANUFACTURING, REPRODUCTION, USE, PATENT RIGHTS AND SALES RIGHTS ARE EXPRESSLY RESERVED BY SAMTEC, INC. THIS DOCUMENT SHALL NOT BE DISCLOSED, IN WHOLE OR PART, TO ANY UNAUTHORIZED PERSON OR ENTITY NOR REPRODUCED, TRANSFERRED OR INCORPORATED IN ANY OTHER PROJECT IN ANY MANNER WITHOUT THE EXPRESS WRITTEN CONSENT OF SAMTEC, INC.</p>	<p>520 PARK EAST BLVD, NEW ALBANY, IN 47150 PHONE: 812-944-6733    FAX: 812-948-5047 e-Mail: info@SAMTEC.com    code 55322</p>
<p>F:\dwg\misc\mktg\ZF5S-XX-XX-X-WT-X-XX-MKT.SLDDRW</p>		<p>BY: G PURVIS      01/20/2011      SHEET 1 OF 5</p>



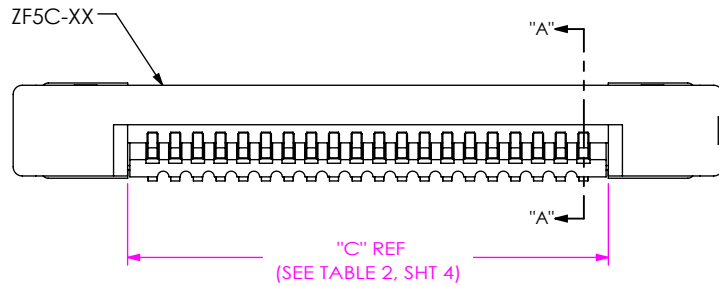
-01 LEAD STYLE  
IN PROCESS 1  
FILL C-297-01-T



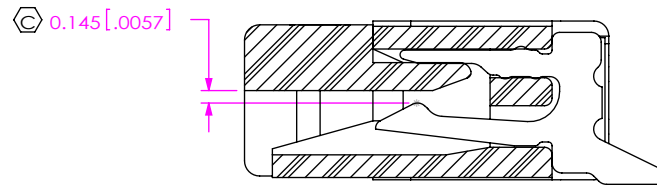
-02 LEAD STYLE  
IN PROCESS 1  
FILL C-297-03-T



IN PROCESS 2  
FILL WT-60-01-T  
(SOME FEATURES REMOVED FOR CLARITY)



IN PROCESS 3  
INSERT ZF5C-XX-XX  
(CAM SHOWN IN CLOSED POSITION)



SECTION "A"-"A"

**PROPRIETARY NOTE**  
THIS DOCUMENT CONTAINS CONFIDENTIAL AND PROPRIETARY INFORMATION AND ALL DESIGN, MANUFACTURING, REPRODUCTION, USE, PATENT RIGHTS AND SALES RIGHTS ARE EXPRESSLY RESERVED BY SAMTEC, INC. THIS DOCUMENT SHALL NOT BE DISCLOSED, IN WHOLE OR PART, TO ANY UNAUTHORIZED PERSON OR ENTITY NOR REPRODUCED, TRANSFERRED OR INCORPORATED IN ANY OTHER PROJECT IN ANY MANNER WITHOUT THE EXPRESS WRITTEN CONSENT OF SAMTEC, INC.

DO NOT SCALE DRAWING

SHEET SCALE: 10:1

**samtec**

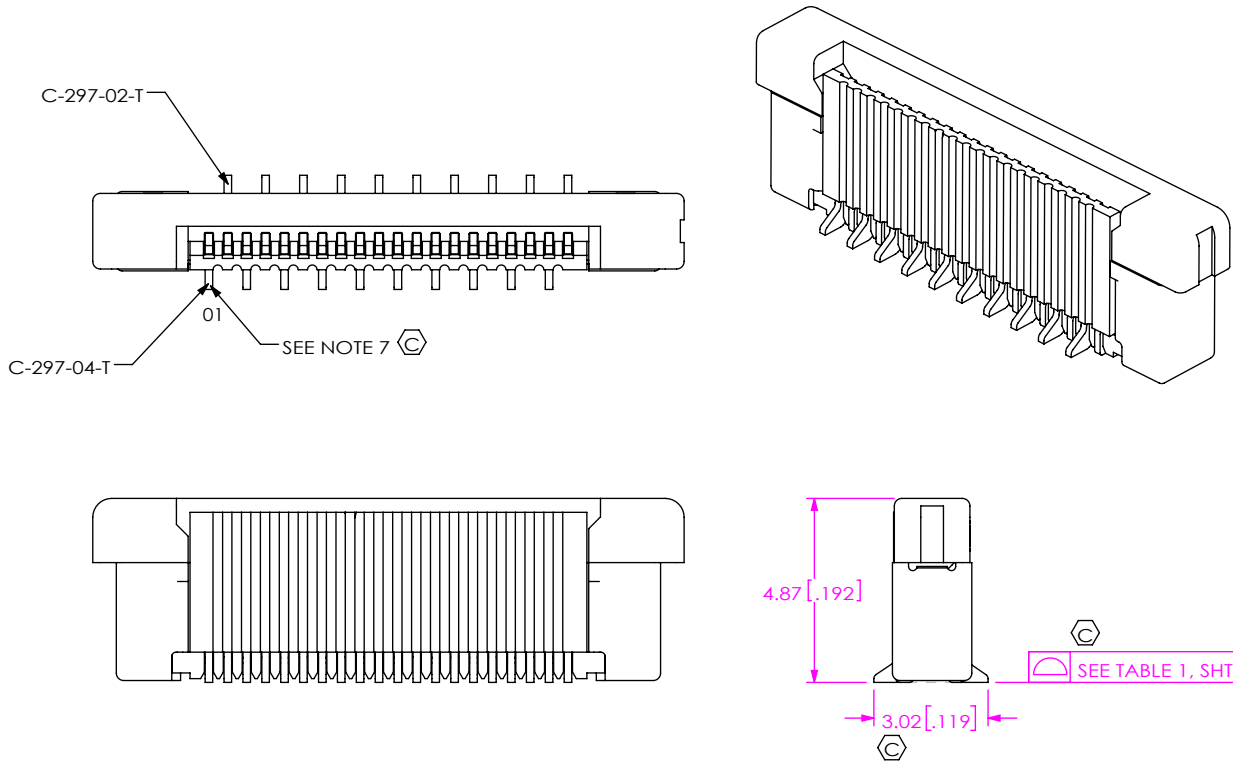
520 PARK EAST BLVD, NEW ALBANY, IN 47150  
PHONE: 812-944-6733 FAX: 812-948-5047  
e-Mail: info@SAMTEC.com code 55322

DESCRIPTION:  
ZERO INSERTION FORCE .5mm ASSEMBLY

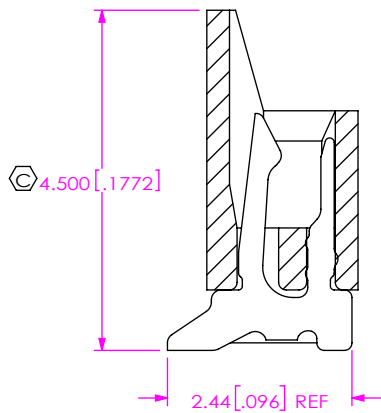
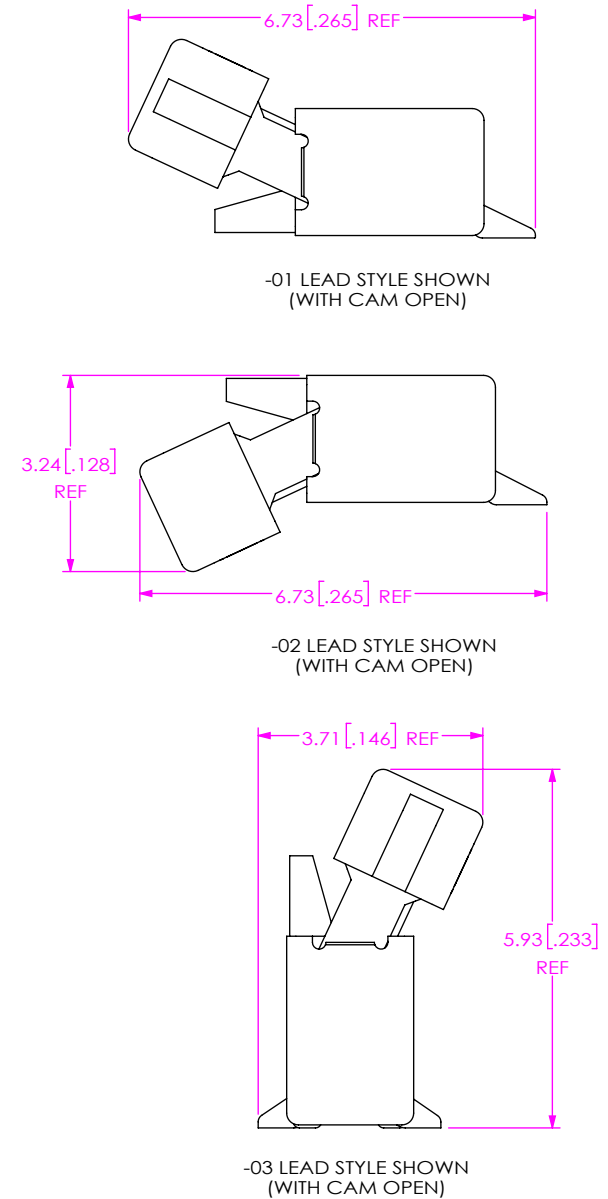
DWG. NO.  
ZF5S-XX-XX-X-WT-X-XX

BY: G PURVIS 01/20/2011 SHEET 2 OF 5

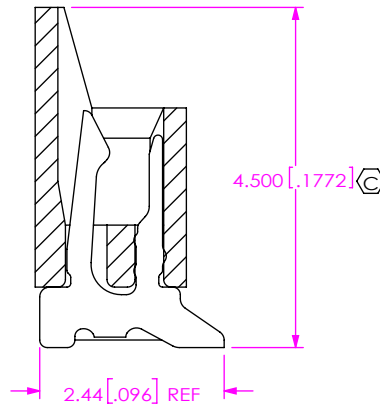
**FIG 2**  
 -03 LEAD STYLE  
 (DIFFERENT AS SHOWN, OTHERWISE SAME AS FIG 1)  
 (ZF5S-20-03-T-WT SHOWN)



**APPLICATION VIEWS**



-03 LEAD STYLE  
**IN PROCESS 1A**  
 FILL C-297-04-T  
 (SAME AS IN PROCESS 1 FOR -01 LEAD  
 STYLE EXCEPT AS SHOWN)  
 (ODD POSITIONS FILLED ONLY)



-03 LEAD STYLE  
**IN PROCESS 1B**  
 FILL C-297-02-T  
 (SAME AS IN PROCESS 1 FOR -01 LEAD  
 STYLE EXCEPT AS SHOWN)  
 (EVEN POSITIONS FILLED ONLY)

**PROPRIETARY NOTE**  
 THIS DOCUMENT CONTAINS CONFIDENTIAL AND  
 PROPRIETARY INFORMATION AND ALL DESIGN,  
 MANUFACTURING, REPRODUCTION, USE, PATENT RIGHTS  
 AND SALES RIGHTS ARE EXPRESSLY RESERVED BY SAMTEC,  
 INC. THIS DOCUMENT SHALL NOT BE DISCLOSED, IN WHOLE  
 OR PART, TO ANY UNAUTHORIZED PERSON OR ENTITY NOR  
 REPRODUCED, TRANSFERRED OR INCORPORATED IN ANY  
 OTHER PROJECT IN ANY MANNER WITHOUT THE EXPRESS  
 WRITTEN CONSENT OF SAMTEC, INC.

DO NOT SCALE DRAWING

SHEET SCALE: 5:1



520 PARK EAST BLVD, NEW ALBANY, IN 47150  
 PHONE: 812-944-6733 FAX: 812-948-5047  
 e-Mail info@SAMTEC.com code 55322

DESCRIPTION:  
 ZERO INSERTION FORCE .5mm ASSEMBLY

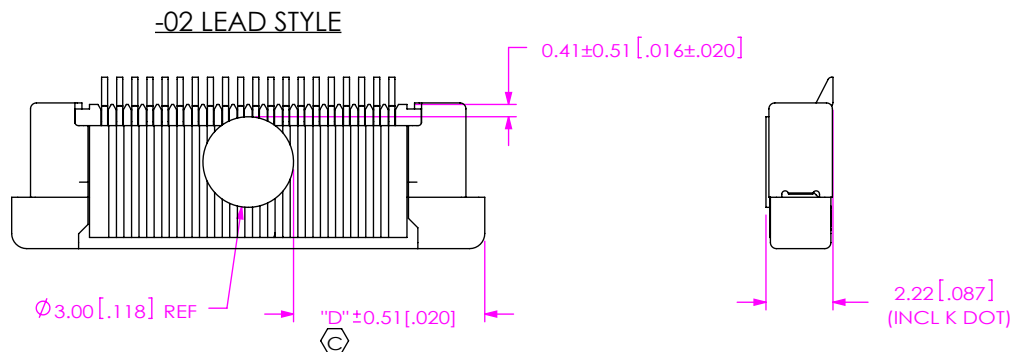
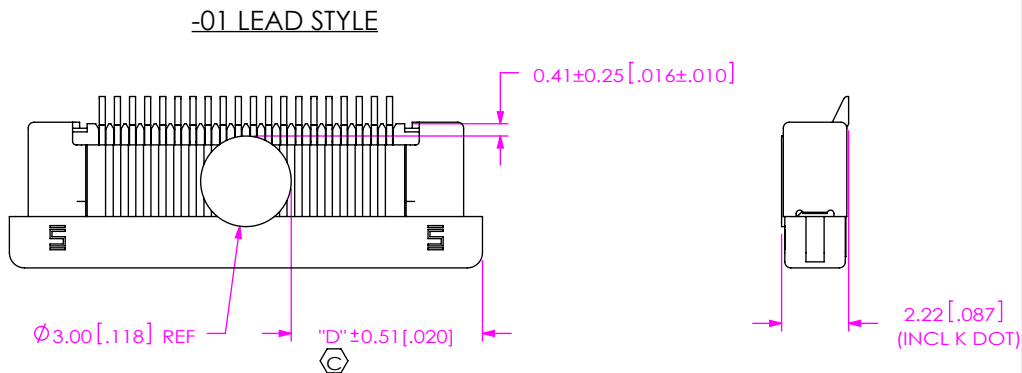
DWG. NO.  
**ZF5S-XX-XX-X-WT-X-XX**

BY: G PURVIS 01/20/2011 SHEET 3 OF 5

TABLE 2

No OF POS	"A"	"B"	"C"	"D"
-04	1.50 [0.059]	7.65 [0.301]	2.60 [0.102]	2.32 [0.091]
-05	2.00 [0.079]	8.15 [0.321]	3.10 [0.122]	2.57 [0.101]
-06	2.50 [0.098]	8.65 [0.341]	3.60 [0.142]	2.82 [0.111]
-07	3.00 [0.118]	9.15 [0.360]	4.10 [0.161]	3.07 [0.121]
-08	3.50 [0.138]	9.65 [0.380]	4.60 [0.181]	3.32 [0.131]
-09	4.00 [0.157]	10.15 [0.400]	5.10 [0.201]	3.57 [0.141]
-10	4.50 [0.177]	10.65 [0.419]	5.60 [0.220]	3.82 [0.150]
-11	5.00 [0.197]	11.15 [0.439]	6.10 [0.240]	4.07 [0.160]
-12	5.50 [0.217]	11.65 [0.459]	6.60 [0.260]	4.32 [0.170]
-13	6.00 [0.236]	12.15 [0.478]	7.10 [0.280]	4.57 [0.180]
-14	6.50 [0.256]	12.65 [0.498]	7.60 [0.299]	4.82 [0.190]
-15	7.00 [0.276]	13.15 [0.518]	8.10 [0.319]	5.07 [0.200]
-16	7.50 [0.295]	13.65 [0.537]	8.60 [0.339]	5.32 [0.209]
-17	8.00 [0.315]	14.15 [0.557]	9.10 [0.358]	5.57 [0.219]
-18	8.50 [0.335]	14.65 [0.577]	9.60 [0.378]	5.82 [0.229]
-19	9.00 [0.354]	15.15 [0.596]	10.10 [0.398]	6.07 [0.239]
-20	9.50 [0.374]	15.65 [0.616]	10.60 [0.417]	6.32 [0.249]
-21	10.00 [0.394]	16.15 [0.636]	11.10 [0.437]	6.57 [0.259]
-22	10.50 [0.413]	16.65 [0.656]	11.60 [0.457]	6.82 [0.269]
-23	11.00 [0.433]	17.15 [0.675]	12.10 [0.476]	7.07 [0.278]
-24	11.50 [0.453]	17.65 [0.695]	12.60 [0.496]	7.32 [0.288]
-25	12.00 [0.472]	18.15 [0.715]	13.10 [0.516]	7.57 [0.298]
-26	12.50 [0.492]	18.65 [0.734]	13.60 [0.535]	7.82 [0.308]
-27	13.00 [0.512]	19.15 [0.754]	14.10 [0.555]	8.07 [0.318]
-28	13.50 [0.531]	19.65 [0.774]	14.60 [0.575]	8.32 [0.328]
-29	14.00 [0.551]	20.15 [0.793]	15.10 [0.594]	8.57 [0.337]
-30	14.50 [0.571]	20.65 [0.813]	15.60 [0.614]	8.82 [0.347]
-31	15.00 [0.591]	21.15 [0.833]	16.10 [0.634]	9.07 [0.357]
-32	15.50 [0.610]	21.65 [0.852]	16.60 [0.654]	9.32 [0.367]
-33	16.00 [0.630]	22.15 [0.872]	17.10 [0.673]	9.57 [0.377]
-34	16.50 [0.650]	22.65 [0.892]	17.60 [0.693]	9.82 [0.387]
-35	17.00 [0.669]	23.15 [0.911]	18.10 [0.713]	10.07 [0.396]
-36	17.50 [0.689]	23.65 [0.931]	18.60 [0.732]	10.32 [0.406]
-37	18.00 [0.709]	24.15 [0.951]	19.10 [0.752]	10.57 [0.416]
-38	18.50 [0.728]	24.65 [0.970]	19.60 [0.772]	10.82 [0.426]
-39	19.00 [0.748]	25.15 [0.990]	20.10 [0.791]	11.07 [0.436]
-40	19.50 [0.768]	25.65 [1.010]	20.60 [0.811]	11.32 [0.446]
-41	20.00 [0.787]	26.15 [1.030]	21.10 [0.831]	11.57 [0.456]
-42	20.50 [0.807]	26.65 [1.049]	21.60 [0.850]	11.82 [0.465]
-43	21.00 [0.827]	27.15 [1.069]	22.10 [0.870]	12.07 [0.475]
-44	21.50 [0.846]	27.65 [1.089]	22.60 [0.890]	12.32 [0.485]
-45	22.00 [0.866]	28.15 [1.108]	23.10 [0.909]	12.57 [0.495]
-46	22.50 [0.886]	28.65 [1.128]	23.60 [0.929]	12.82 [0.505]
-47	23.00 [0.906]	29.15 [1.148]	24.10 [0.949]	13.07 [0.515]
-48	23.50 [0.925]	29.65 [1.167]	24.60 [0.969]	13.32 [0.524]
-49	24.00 [0.945]	30.15 [1.187]	25.10 [0.988]	13.57 [0.534]
-50	24.50 [0.965]	30.65 [1.207]	25.60 [1.008]	13.82 [0.544]

FIG 3  
KAPTON PAD  
(USE K-DOT-.118-.219-.005)  
(DIFFERENT AS SHOWN, OTHERWISE SAME AS FIG 1)



PROPRIETARY NOTE

THIS DOCUMENT CONTAINS CONFIDENTIAL AND PROPRIETARY INFORMATION AND ALL DESIGN, MANUFACTURING, REPRODUCTION, USE, PATENT RIGHTS AND SALES RIGHTS ARE EXPRESSLY RESERVED BY SAMTEC, INC. THIS DOCUMENT SHALL NOT BE DISCLOSED, IN WHOLE OR PART, TO ANY UNAUTHORIZED PERSON OR ENTITY NOR REPRODUCED, TRANSFERRED OR INCORPORATED IN ANY OTHER PROJECT IN ANY MANNER WITHOUT THE EXPRESS WRITTEN CONSENT OF SAMTEC, INC.



520 PARK EAST BLVD, NEW ALBANY, IN 47150  
PHONE: 812-944-6733 FAX: 812-948-5047  
e-Mail: info@SAMTEC.com code 55322

SHEET SCALE: 4:1

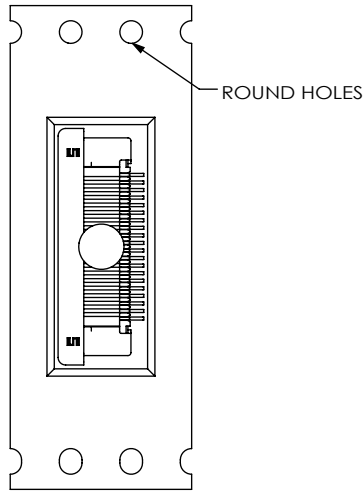
DESCRIPTION:  
ZERO INSERTION FORCE .5mm ASSEMBLY

DWG. NO.  
ZF5S-XX-XX-X-WT-X-XX

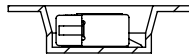
BY: G PURVIS 01/20/2011 SHEET 4 OF 5

PACKAGING VIEWS

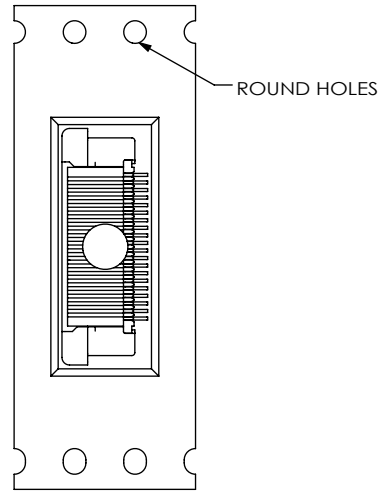
-01 LEAD STYLE  
SHOWN WITH -K OPTION



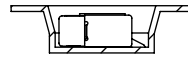
USER DIRECTION OF UN-REELING  
POCKET NOT DETAILED →



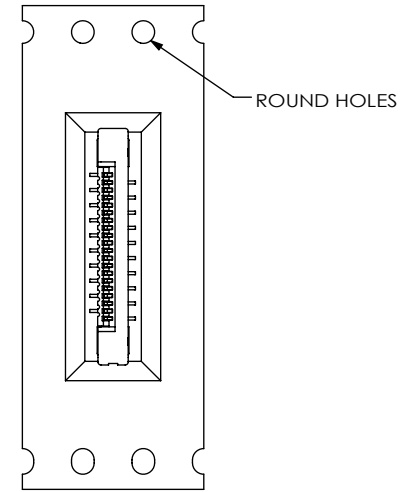
-02 LEAD STYLE  
SHOWN WITH -K OPTION



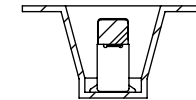
USER DIRECTION OF UN-REELING  
POCKET NOT DETAILED →



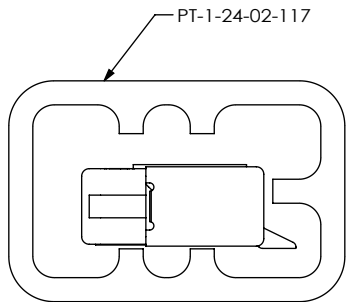
-03 LEAD STYLE



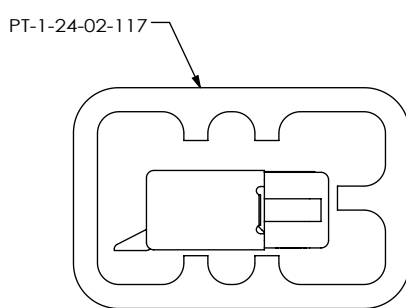
USER DIRECTION OF UN-REELING  
POCKET NOT DETAILED →



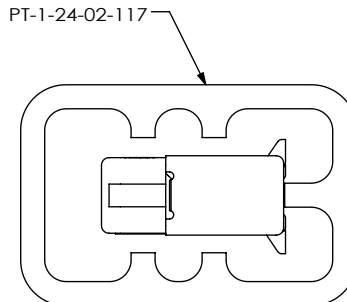
PACKAGING VIEWS  
[PARTS TO HAVE POSITION #1 LOADED IN  
SAME DIRECTION AS ARROW ON TUBE]



-01 LEAD STYLE  
(USE TP-24-02 PLUG)



-02 LEAD STYLE  
(USE TP-24-02 PLUG)



-03 LEAD STYLE  
(USE TP-24-02 PLUG)

F:\dwg\misc\mktg\ZF55-XX-XX-X-WT-X-XX-MKT.SLDDRW

**PROPRIETARY NOTE**  
THIS DOCUMENT CONTAINS CONFIDENTIAL AND PROPRIETARY INFORMATION AND ALL DESIGN, MANUFACTURING, REPRODUCTION, USE, PATENT RIGHTS AND SALES RIGHTS ARE EXPRESSLY RESERVED BY SAMTEC, INC. THIS DOCUMENT SHALL NOT BE DISCLOSED, IN WHOLE OR PART, TO ANY UNAUTHORIZED PERSON OR ENTITY NOR REPRODUCED, TRANSFERRED OR INCORPORATED IN ANY OTHER PROJECT IN ANY MANNER WITHOUT THE EXPRESS WRITTEN CONSENT OF SAMTEC, INC.

DO NOT SCALE DRAWING

SHEET SCALE: 10:1



520 PARK EAST BLVD, NEW ALBANY, IN 47150  
PHONE: 812-944-6733 FAX: 812-948-5047  
e-Mail info@SAMTEC.com code 55322

DESCRIPTION:  
ZERO INSERTION FORCE .5mm ASSEMBLY

DWG. NO.  
**ZF55-XX-XX-X-WT-X-XX**

BY: G PURVIS 01/20/2011 SHEET 5 OF 5