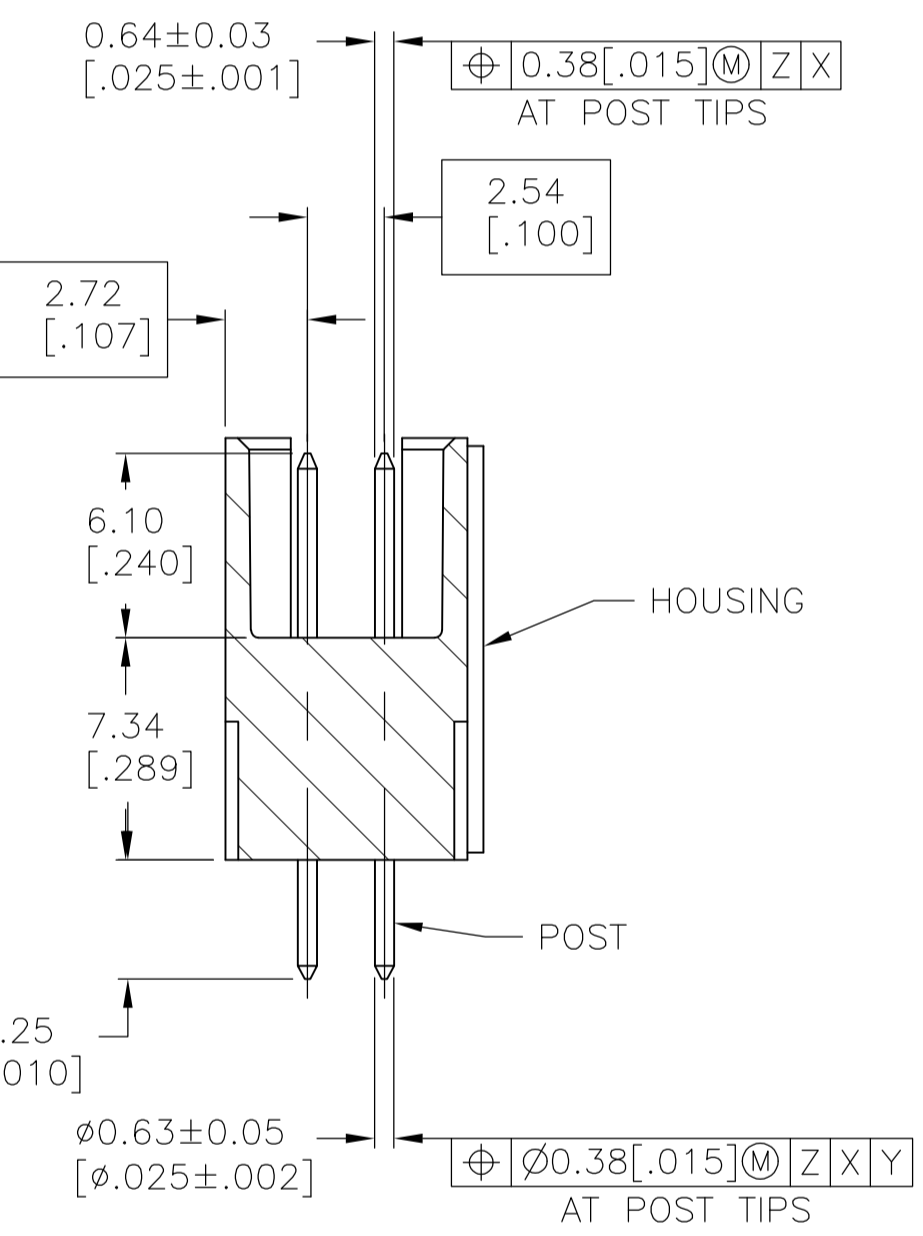
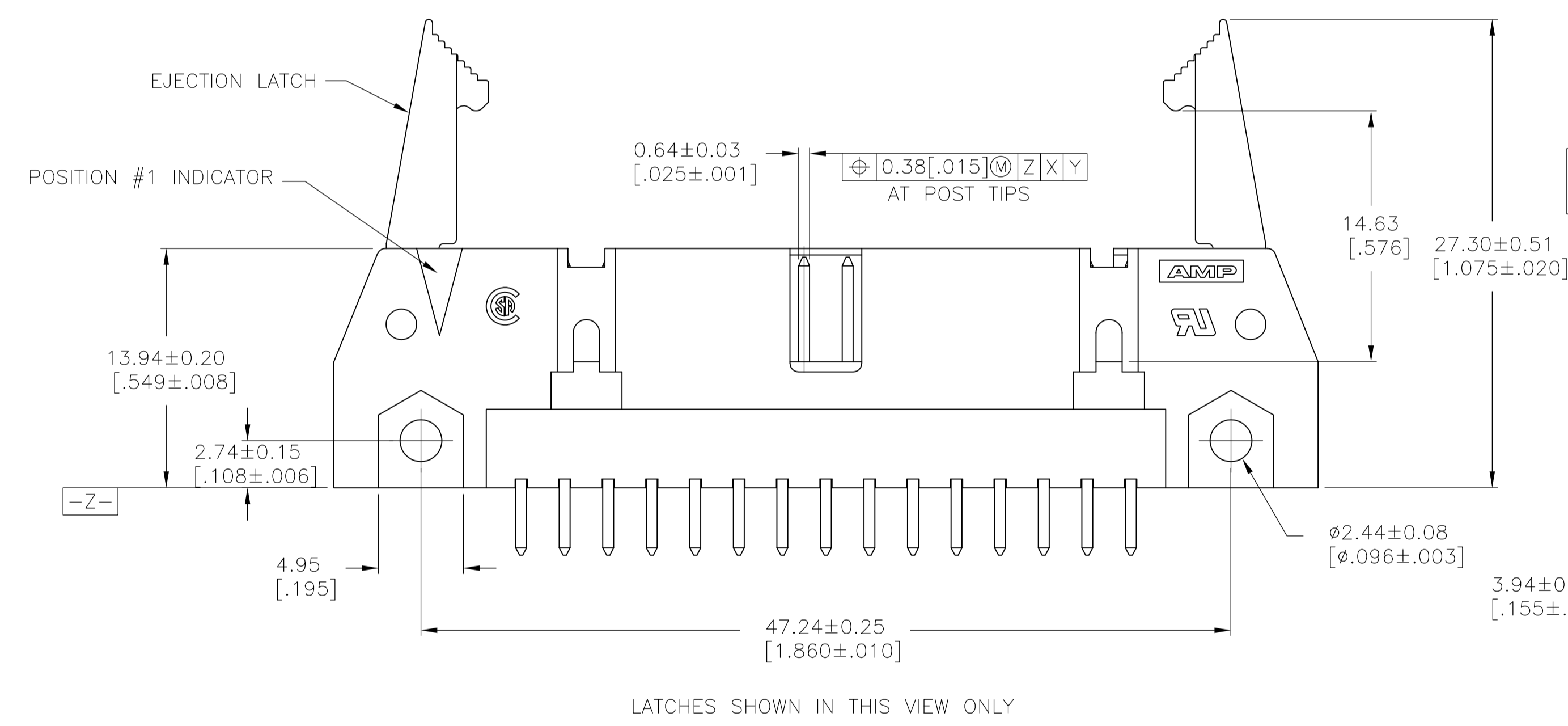
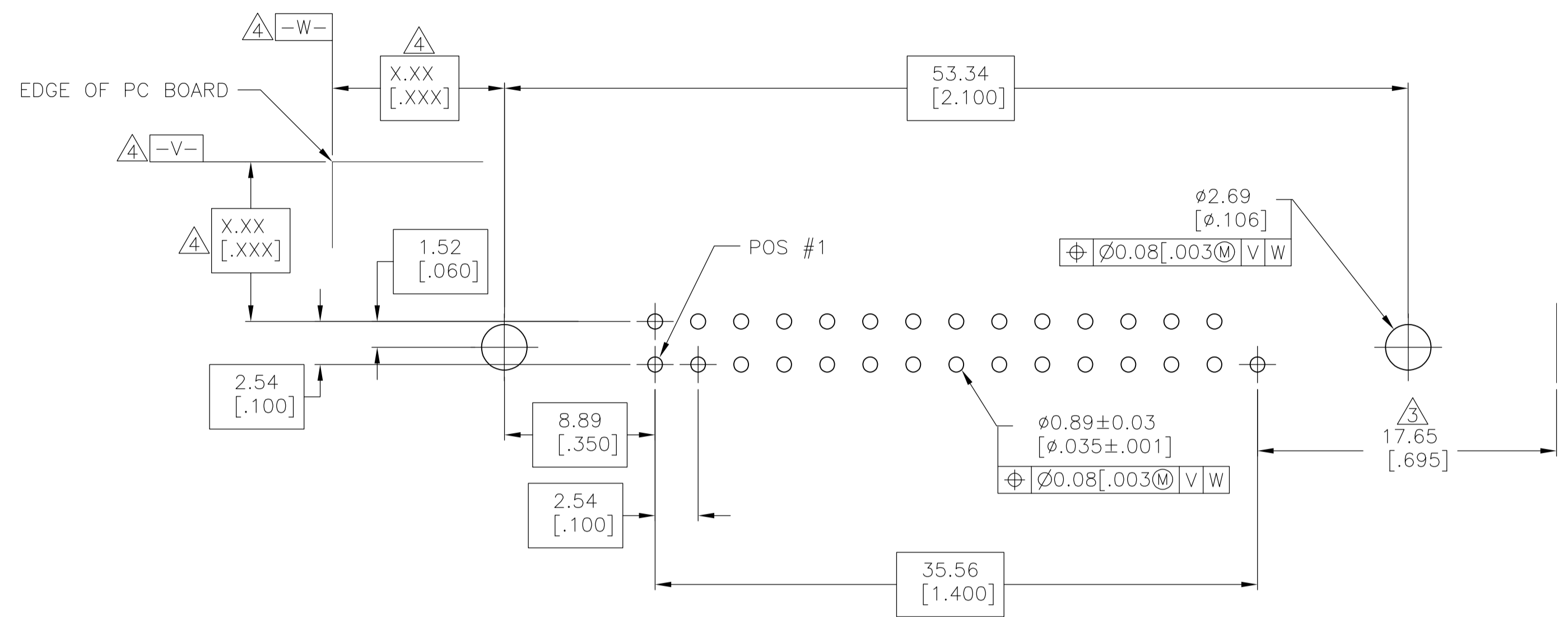
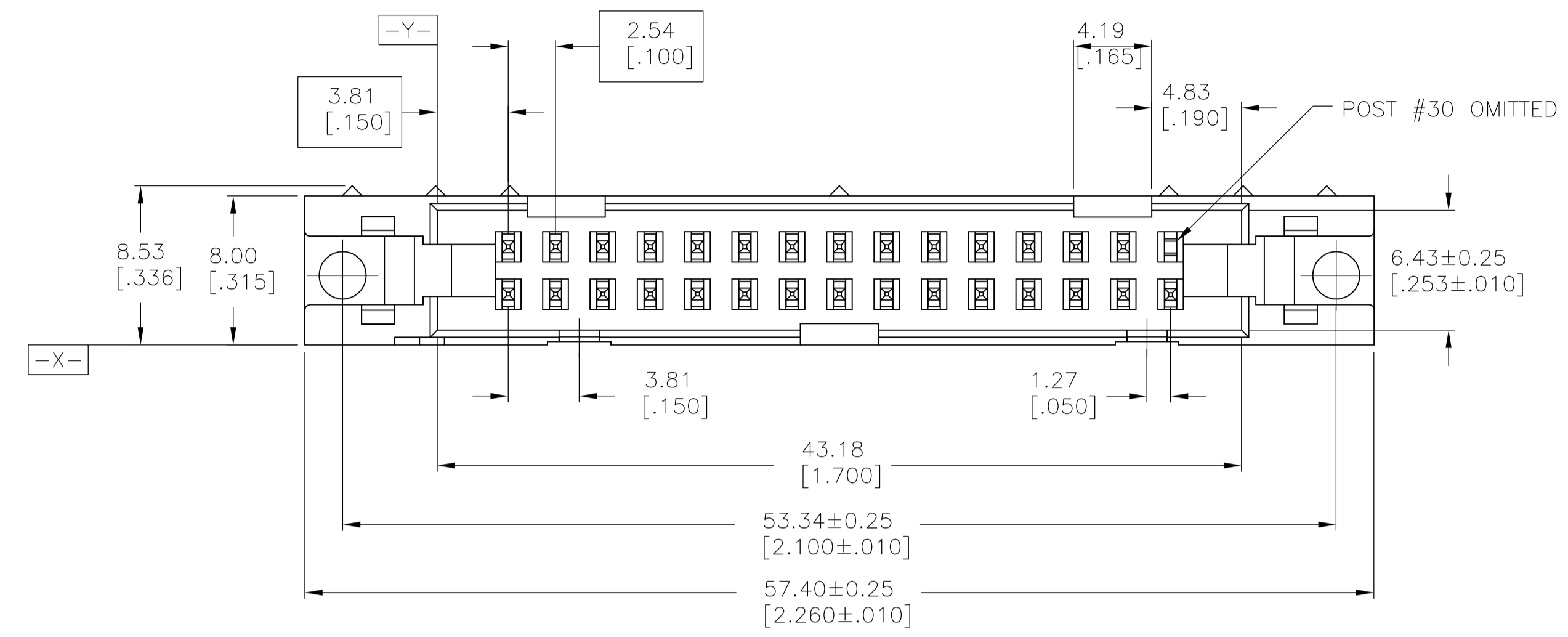
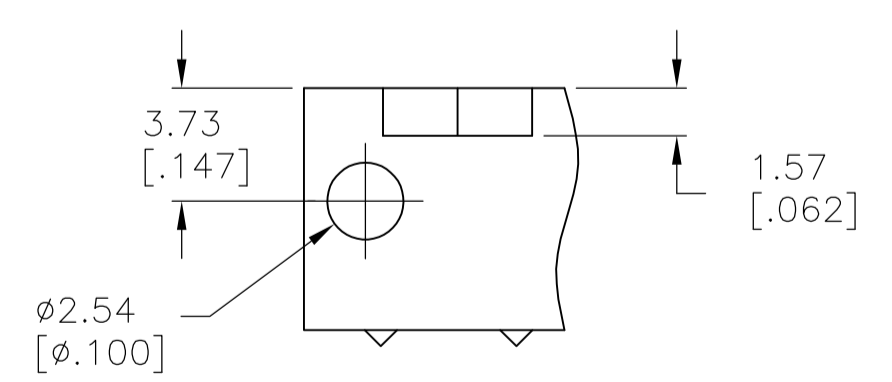


LOC		DIST		REVISIONS			
F	LTR	DESCRIPTION	DATE	DMN	APVD		
B		REVISED PER ECO-10-021203	23NOV10	HMR	SB		



- 1 HOUSING AND LATCHES: GLASS FILLED NYLON OR POLYESTER, UL94V-0 RATED, COLOR BLACK. POSTS: PHOSPHOR BRONZE.
- 2 POSTS: GOLD FLASH OVER PALLADIUM-NICKEL PLATE 0.38µm[.000015] MIN TOTAL ON THE MATING SURFACES, 2.54µm[.000100] MIN TIN PLATE ON THE SOLDER-TAILS, 1.27µm[.000050] MIN NICKEL UNDERPLATE ON THE ENTIRE POST.
-OR-
0.38µm[.000015] MIN GOLD PLATE ON THE MATING SURFACES, 2.54µm[.000100] MIN TIN PLATE ON THE SOLDER-TAILS, 1.27µm[.000050] MIN NICKEL UNDERPLATE ON THE ENTIRE POST.
- 3 DISTANCE REQUIRED BY LATCHES IN THE OPEN POSITION, BOTH ENDS.
- 4 DATUMS AND BASIC DIMENSIONS TO BE ESTABLISHED BY CUSTOMER.



30	6658750-1
NO OF POS	PART NUMBER

**COPYRIGHT 2005
 TYCO ELECTRONICS CORP
 ALL RIGHTS RESERVED**

THIS DRAWING IS A CONTROLLED DOCUMENT.		DIN A FERNANDEZ-DOCKS 01-12-05	Tyco Electronics Corporation Harrisburg, PA 17105-3608
DIMENSIONS: mm [INCHES]		CHK S. BOLASH 01-12-05	
TOLERANCES UNLESS OTHERWISE SPECIFIED:		APVD M. WALMSLEY 01-12-05	NAME HEADER ASSEMBLY, VERTICAL, SELECTIVELY LOADED, UNIVERSAL, AMP-LATCH
0. PLC ± -		PRODUCT SPEC 108-40018	
1. PLC ± -		APPLICATION SPEC	SIZE CAGE CODE DRAWING NO. RESTRICTED TO
2. PLC ± -		WEIGHT	A1 00779 C=6658750
3. PLC ± 0.13(.005)		CUSTOMER DRAWING	SCALE 4:1 SHEET 1 OF 1 REV B
4. PLC ± -			
ANGLES ± -			