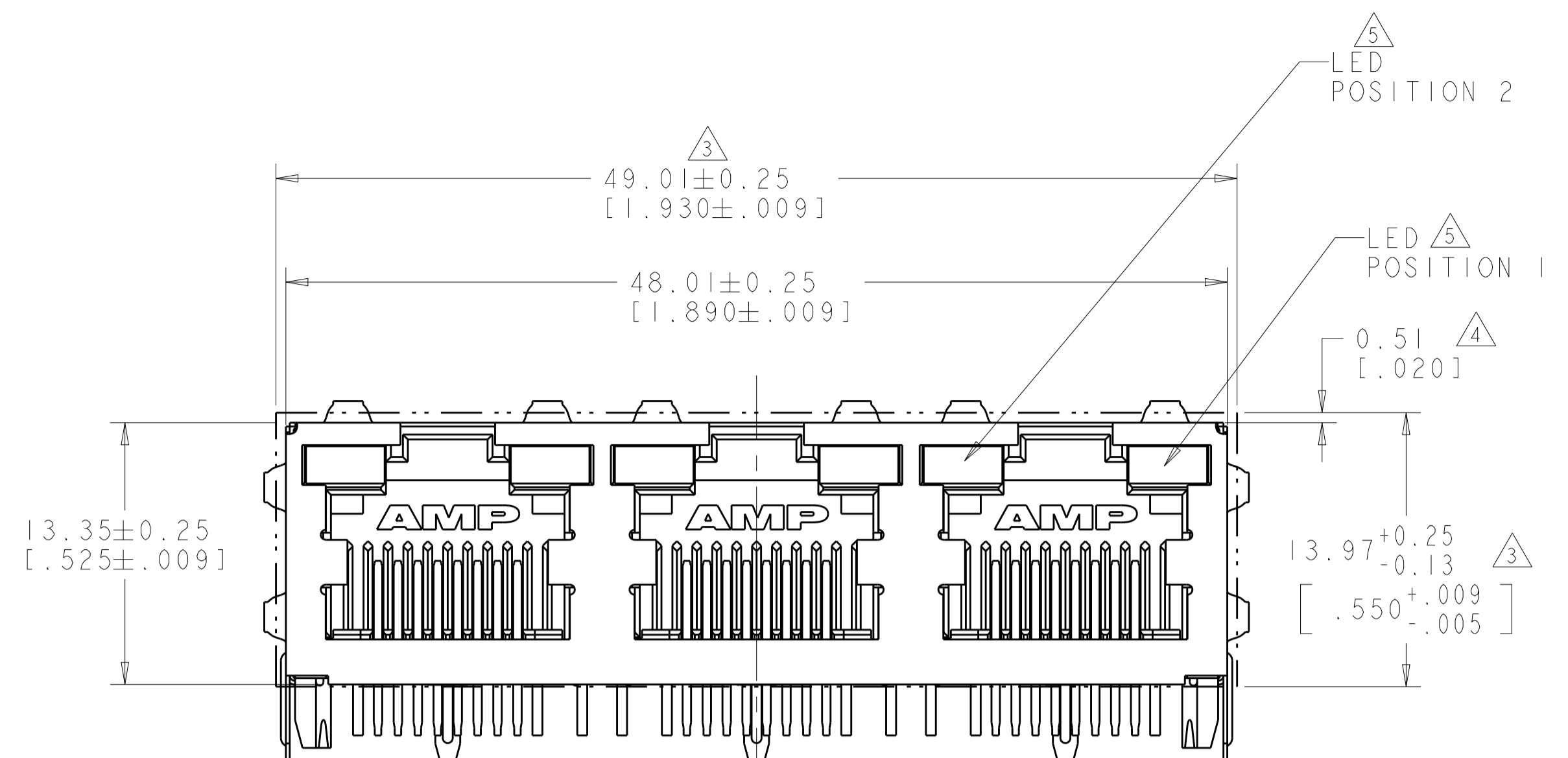
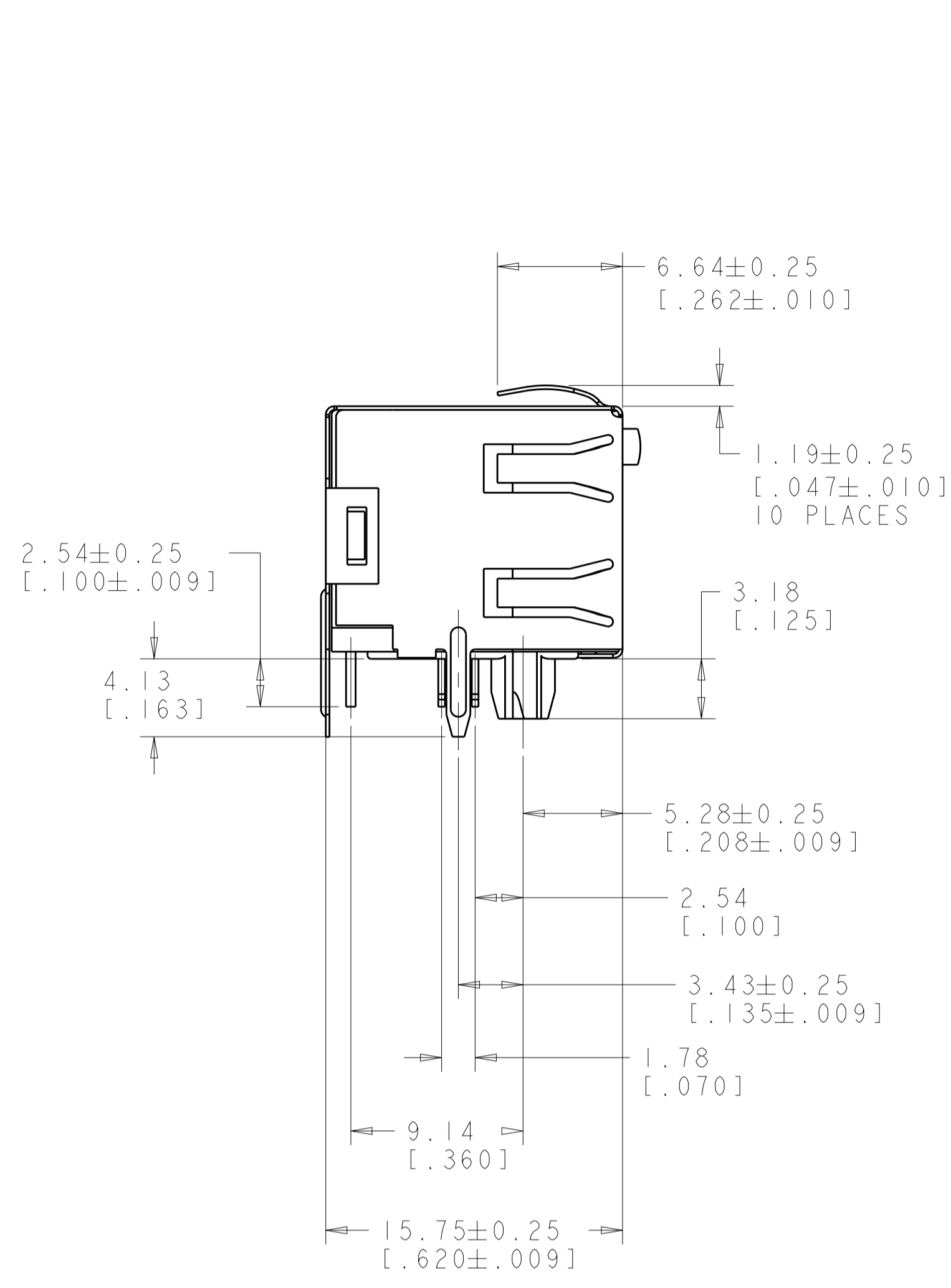
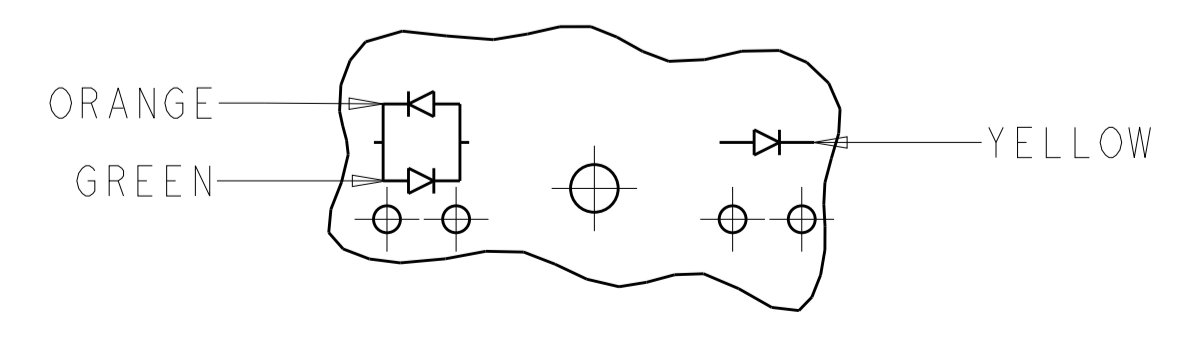
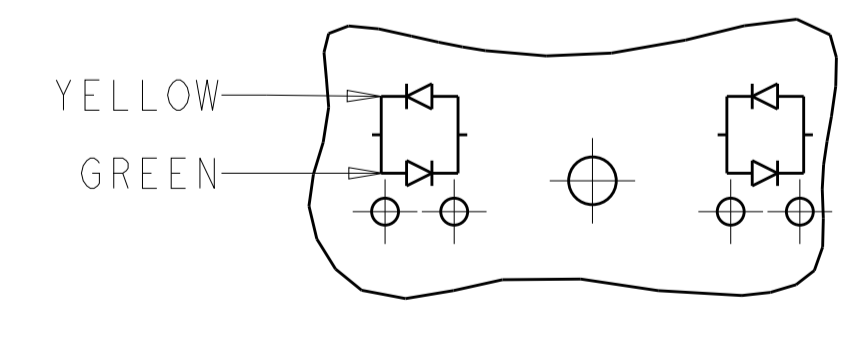
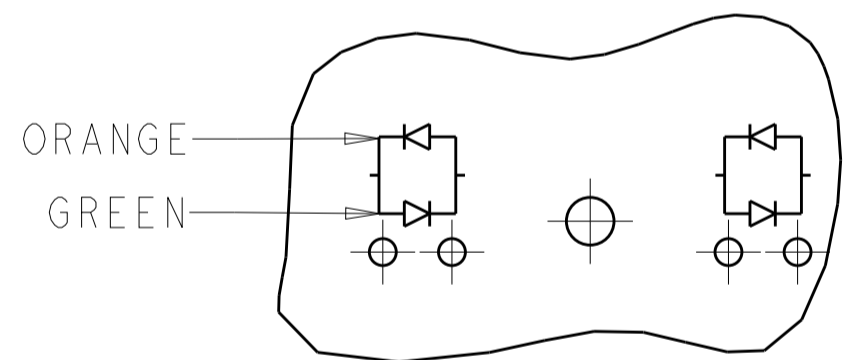
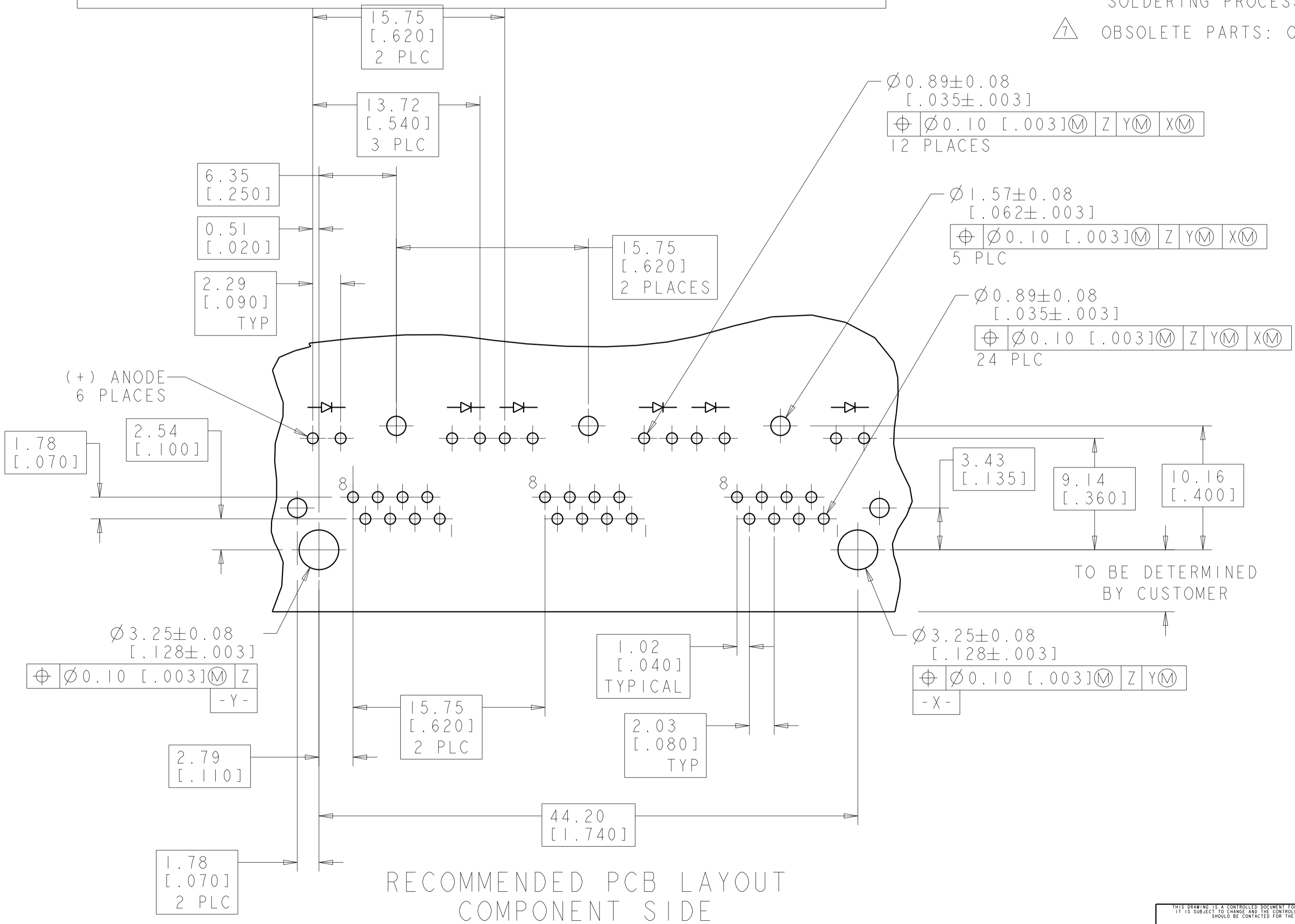


LOC	DIST	REVISIONS					
AA	00	P	LTN	DESCRIPTION	DATE	OWN	APVD
		C		ECO-07-022131	02NOV07	LAM	JW
		C1		REVISED PER ECO-09-025699	11DEC09	KK	AEJ
		C2		ECO-14-018192	27SEP2018	LL	SH
		C3		ECO-18-014918	20AUG2019	RR	SH



**OBSOLETE**

- MATERIAL: HOUSING - THERMOPLASTIC, BLACK, UL94V-0. TERMINALS - .36 [ .014 ] THICK PHOSPHOR BRONZE PLATED WITH 3.81 μm [ .000150 ] MINIMUM THICK BRIGHT TIN-LEAD IN SOLDER AREA, 1.27 μm [ .000050 ] MINIMUM GOLD IN LOCALIZED PLATE AREA. ENTIRE TERMINAL PLATED WITH 1.27 μm [ .000050 ] MINIMUM THICK NICKEL. SHIELD - 0.196 [ .0077 ] THICK COPPER ZINC ALLOY, PREPLATED WITH 1.27 μm [ .000050 ] MINIMUM SATIN NICKEL WITH 2.03 μm [ .000080 ] MINIMUM TIN POST DIPPED ON PCB TABS. LIGHT EMITTING DIODE (LED) - DIFFUSED EPOXY LENS 0.51 X 0.51 [ .020 X .020 ] CARBON STEEL WIREFRAME LEADS PLATED WITH 8.89 μm [ .000350 ] TIN/COPPER OVER 2.03 μm [ .000080 ] SILVER OVER 1.02 μm [ .000040 ] NICKEL UNDERPLATE OVER 2.03 μm [ .000080 ] COPPER UNDERPLATE.
  - JACK CAVITY CONFORMS TO FCC RULES AND REGULATIONS PART 68, SUBPART F.
- △ SUGGESTED PANEL OPENING DIMENSIONS.  
 △ SUGGESTED CLEARANCE BETWEEN TOP OF CONNECTOR AND TOP OF PANEL OPENING.  
 △ SEE TABLE FOR COLOR OF LEDS AND NUMBER REQUIRED.  
 6. THIS MODULAR JACK WITH INTEGRATED LED IS NOT IR REFLOW SOLDERING PROCESS COMPATIBLE.  
 △ OBSOLETE PARTS: OBSOLETE CIS STREAMLINING PER D.RENAUD/D.SINISI



INDICATOR COLOR	POSITION 2	POSITION 1	PART NUMBER
<del>OBSOLETE</del> ORANGE/GREEN	YELLOW	YELLOW	1116132-9
<del>OBSOLETE</del> YELLOW/GREEN	YELLOW/GREEN	YELLOW/GREEN	1116132-8
<del>OBSOLETE</del> ORANGE/GREEN	ORANGE/GREEN	ORANGE/GREEN	1116132-7
<b>SUPERSEDED BY:</b> 6116132-5	YELLOW	YELLOW	1116132-6
<del>OBSOLETE</del> GREEN	GREEN	GREEN	1116132-5
<del>OBSOLETE</del> GREEN	YELLOW	YELLOW	1116132-4
<del>OBSOLETE</del> YELLOW	YELLOW	YELLOW	1116132-3
<del>OBSOLETE</del> GREEN	GREEN	GREEN	1116132-2
<del>OBSOLETE</del> YELLOW	GREEN	GREEN	1116132-1

THIS DRAWING IS CONTROLLED DOCUMENT FOR THE PROPRIETARY INFORMATION OF TYCO ELECTRONICS CORPORATION. IT IS THE POLICY OF TYCO ELECTRONICS CORPORATION TO CONTROL AND RESTRICT THE DISTRIBUTION OF THIS DRAWING TO THOSE WHO HAVE BEEN AUTHORIZED BY TYCO ELECTRONICS CORPORATION.

OWN: D.J. AHERON 29JUL98  
 CHK: J.WESTMAN 13OCT07  
 APVD: E.LAUBER 29JUL98

Tyco Electronics  
 Tyco Electronics Corporation  
 Harrisburg, PA 17105-3608

NAME: INVERTED MODULAR JACK ASSEMBLY, 1 X 3, SHIELDED, PANEL GROUND TABS, LED

SIZE: 108-1163-4  
 APPLICATION SPEC: 114-2154  
 WEIGHT: -  
 CUSTOMER DRAWING: A100779C=1116132

SCALE: 4:1 SHEET 1 OF 1 REV: C3