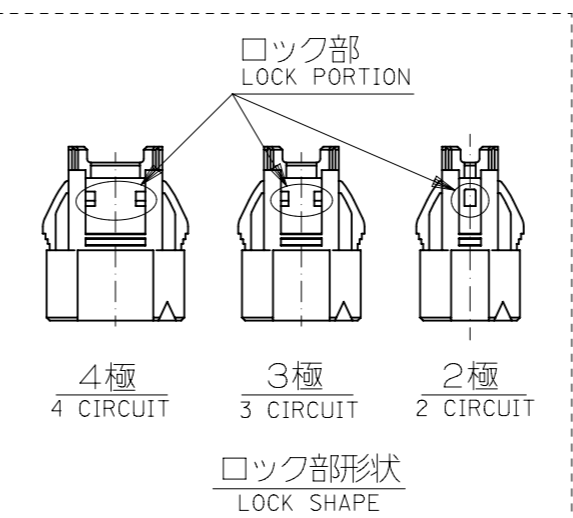


ターミナル装着状態図
TERMINAL ASSEMBLY DRAWING



参考パネルスロット寸法
PANEL SLOT DIM.(REF.)
(パネル厚: 0.8 ~ 2.0)
(THICKNESS : 0.8 ~ 2.0)

- 注記 NOTES.
- △ 適合端子 : 50837-8*00 APPLICABLE TERMINAL
 - 2.本図は、5極を示す。
5 CIRCUIT VERSION IS SHOWN IN THIS DRAWING.
 - 3.ハウジングは、パネル打ち抜き側から挿入すること。
INSERT HOUSING FROM PUNCH SIDE OF PANEL

| | | | | | |
|------|------|------|------|----------------------|-------------------|
| 44.6 | 46.7 | 45.7 | 39.9 | 51198-1500 | 15 |
| 42.1 | 44.2 | 43.2 | 37.4 | ↑ -1400 | 14 |
| 39.6 | 41.7 | 40.7 | 34.9 | -1300 | 13 |
| 37.1 | 39.2 | 38.2 | 32.4 | -1200 | 12 |
| 34.6 | 36.7 | 35.7 | 29.9 | -1100 | 11 |
| 32.1 | 34.2 | 33.2 | 27.4 | -1000 | 10 |
| 29.6 | 31.7 | 30.7 | 24.9 | -0900 | 9 |
| 27.1 | 29.2 | 28.2 | 22.4 | -0800 | 8 |
| 24.6 | 26.7 | 25.7 | 19.9 | -0700 | 7 |
| 22.1 | 24.2 | 23.2 | 17.4 | -0600 | 6 |
| 19.6 | 21.7 | 20.7 | 14.9 | -0500 | 5 |
| 17.1 | 19.2 | 18.2 | 12.4 | -0400 | 4 |
| 14.6 | 16.7 | 15.7 | 9.9 | ↓ -0300 | 3 |
| 12.1 | 14.2 | 13.2 | 7.4 | 51198-0200 | 2 |
| D | C | B | A | 製品番号 MATERIAL NO. | NO. OF CIRCUIT |

MATERIAL
ポリエステル (PBT) POLYESTER
色 : 白 COLOR : WHITE
UL94V-0

THIS DRAWING CONTAINS INFORMATION THAT IS PROPRIETARY TO MOLEX ELECTRONIC TECHNOLOGIES, LLC AND SHOULD NOT BE USED WITHOUT WRITTEN PERMISSION

| | | | | | | |
|--|---------------------|-------------------|------------|----------------------------|--|--|
| DIMENSION UNITS mm | SCALE 4:1 | CURRENT REV DESC: | | molex | | |
| GENERAL TOLERANCES (UNLESS SPECIFIED) | | EC NO: 698824 | | | | |
| ANGULAR TOL ± 3.0° | 4 PLACES ± | DRWN: RWATANABE01 | 2022/02/03 | PRODUCT CUSTOMER DRAWING | | |
| 3 PLACES ± | 2 PLACES ± | CHK'D: AIDA | 2022/03/16 | DOCUMENT NUMBER | | |
| 1 PLACE ± 0.2 | 0 PLACES ± 0.2 | APPR: SAKIYAMA | 2022/03/17 | SD-51198-002 | | |
| DRAFT WHERE APPLICABLE MUST REMAIN WITHIN DIMENSIONS | | INITIAL REVISION: | 2018/10/15 | DOC TYPE DOC PART REVISION | | |
| THIRD ANGLE PROJECTION | | DRWN: RFC_PLMIMP | 2016/02/22 | PSD 001 D | | |
| DRAWING | | APPR: TKANEKO | | MATERIAL NUMBER | | |
| A3-SIZE | | SERIES | 51198 | CUSTOMER | | |
| SEE CHART | | GENERAL MARKET | | SHEET NUMBER | | |
| 1 OF 1 | | | | | | |