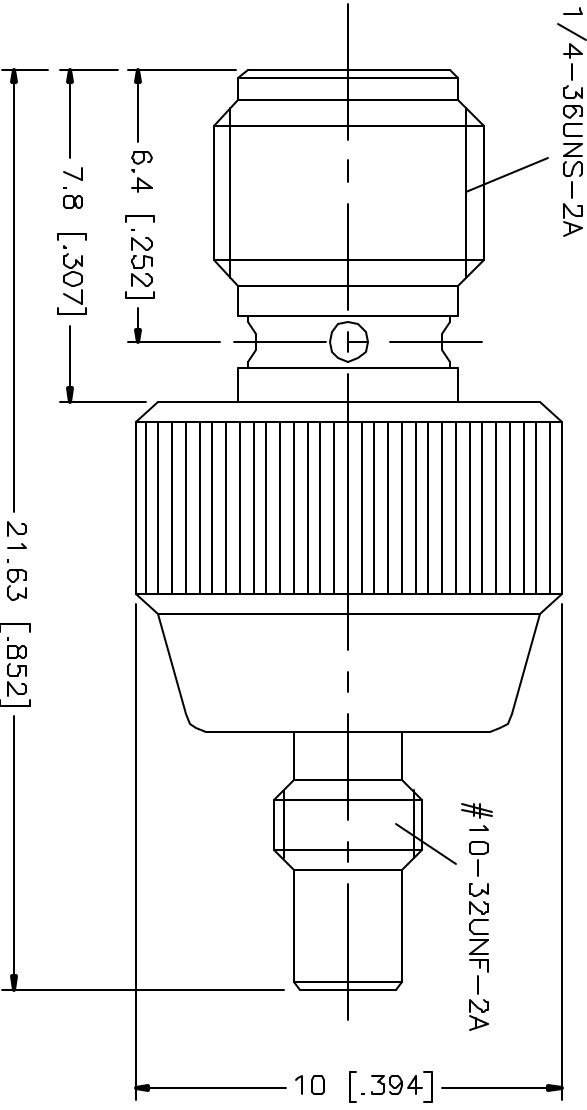


| REV. | DATE | DESCRIPTION |
|------|----------|-----------------|
| NC | 10/31/01 | INITIAL RELEASE |



| | | | | | | | | | | |
|---|-------------|------------|---------|---|-----------|----------|--|----------|------------|------|
| 8 | | | | UNLESS OTHERWISE SPECIFIED DIMENSIONS ARE IN MILLIMETERS | APPROVALS | DATE | comnex Connector Corporation SMA JACK TO SMC JACK ADAPTOR | | | |
| 7 | | | | DIMENSIONS IN [] ARE IN INCHES FOR CUSTOMER REFERENCE ONLY | DRAWN | 10/31/01 | | | | |
| 6 | | | | UNLESS OTHERWISE SPECIFIED TOLERANCES FOR MILLIMETERS ARE | CHECKED | | | | | |
| 5 | | | | 0.5-6 = ± 0.2 6-30 = ± 0.4 30-120 = ± 0.6 120-315 = ± 1 315-1000 = ± 1.6 1000-2000 = ± 2.4 | ISSUED | | | | | |
| 4 | | | | | | | SIZE | FSCM NO | DWG NO | REV. |
| 3 | CONTACT PIN | BER COPPER | GOLD | | | | A | 99001 | 242176.DWG | NC |
| 2 | INSULATOR | TEFLON | NATURAL | | | | SCALE | PART NO. | SHEET | |
| 1 | BODY | BRASS | GOLD | | | | NA | 242176 | 1 OF 1 | |
| | DESCRIPTION | MATERIAL | FINISH | DO NOT SCALE DRAWING | | | | | | |