

Ratings

Voltage: 300 V
 Temperature: -40~105 °C
 Flammability: VW-1

Conductor

Conductor count: 8
 Gauge: 18 AWG 0.82 mm²
 Material: tinned copper strands
 Strand size: $\phi 0.127 \times 65$
 Resistance at 20 °C: 23.2 Ω /km max

Insulator

Material: FEP
 Color: red, black, white, yellow, blue, green, orange, purple
 Diameter: $\phi 1.5 \pm 0.10$
 Nominal thickness: 0.13 mm
 Resistance at 20 °C: 10 M Ω /km min

Filler

Material: aramid fiber

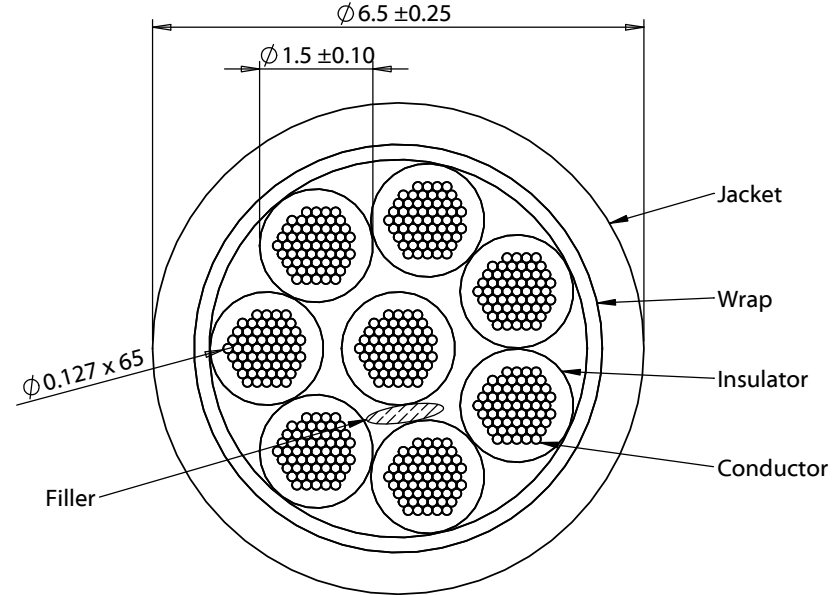
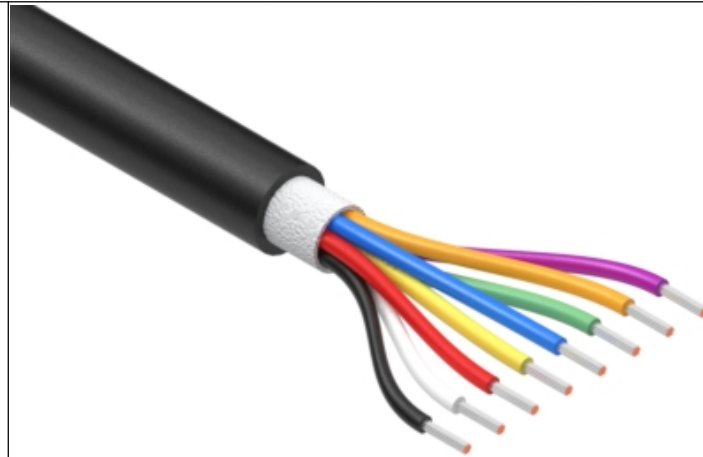
Wrap


Material: cotton paper

Outer jacket

Material: TPE
 Color: black
 Diameter: $\phi 6.5 \pm 0.25$
 Nominal thickness: 0.6 mm

Wire marking: E339579 UL AWM STYLE 21296 18 AWG 105°C 300V VW-1 --- cUL AWM I A 105°C 300V FT1 TENSILITY DGT



Revision:	Date:	Description:	Prepared: AW <small>Digitally signed by AW Date: 2021.05.05 15:49:48 -07'00'</small>	Notes: RoHS compliant Phthalate free Function test: no open, no short circuit, no intermittent	<h1>TENSILITY</h1> tel 1.541.323.3228 800 877.670.7118 fax 1.541.323.4202 web tensility.com
A	4/28/2021	Initial release	Verified: JC <small>Digitally signed by JC Date: 2021.05.10 15:25:23 -07'00'</small>		
			Dimensions are in millimeters. Tolerances: X: ± 0.5 mm X.X: ± 0.3 mm X.XX: ± 0.05 mm	Description: Wire, 8C TS, 18 AWG, UL 21296, 300V, 105C, 6.5 mm, TPE	Size: A Part number: 30-01948
					Scale: 10:1  Sheet 1 of 1

5

4

3

2

1