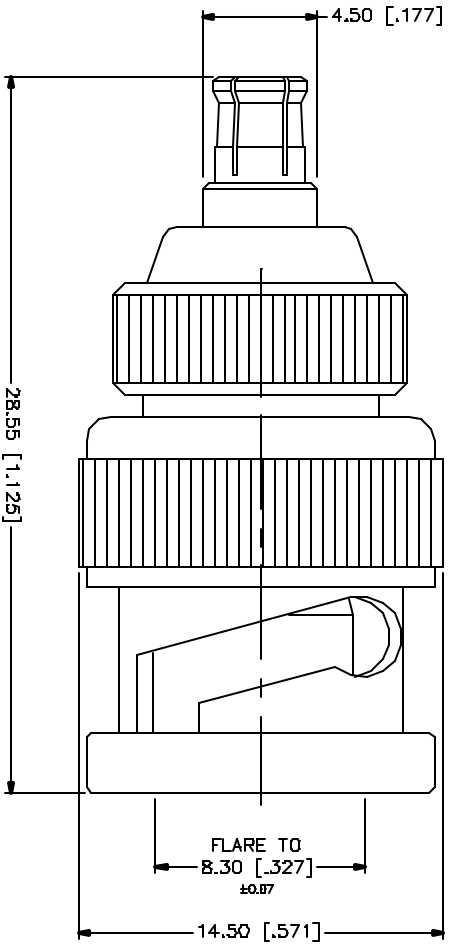


REV.	DATE	DESCRIPTION
NC	06/16/04	UPDATE DRAWING FORMAT



REV.	DATE	DESCRIPTION	MATERIAL	FINISH	QTY
8					
7					
6					
5					
4					
3		CONTACT PIN	BERL COPPER	GOLD	1
2		INSULATOR	TEFLON	NATURAL	1
1		BODY	BRASS	NICKEL	1
		DESCRIPTION	MATERIAL	FINISH	QTY

UNLESS OTHERWISE SPECIFIED, DIMENSIONS ARE IN INCHES AND FRACTIONS THEREOF, DECIMALS AND PERCENTAGES THEREOF, UNLESS OTHERWISE SPECIFIED.	APPROVALS	DATE
TOLERANCES FOR DIMENSIONS ARE: 0/3 - 8/16 ± 0.20mm 8 - 30mm ± 0.40mm 30 - 120mm ± 0.50mm	DRAWN G.R.S.	06/16/04
UNLESS OTHERWISE SPECIFIED, DIMENSIONS FOR FINISH ARE: .020 - .315 ± 0.007" .315 - 1.180 ± 0.015" 1.180 - 4.724 ± 0.020"	CHECKED	
DO NOT SCALE DRAWINGS	ISSUED	
	SHEET 1 OF 1	
	DWG FILE C:/242/242205.DWG	

PART DESCRIPTION	
BNC PLUG TO MCX PLUG ADAPTER	
DWG. NO.	REV. NC
242205	NC
SIZE	SCALE
A	NA

Amphenol Connex