

THIS DRAWING IS UNPUBLISHED.

RELEASED FOR PUBLICATION

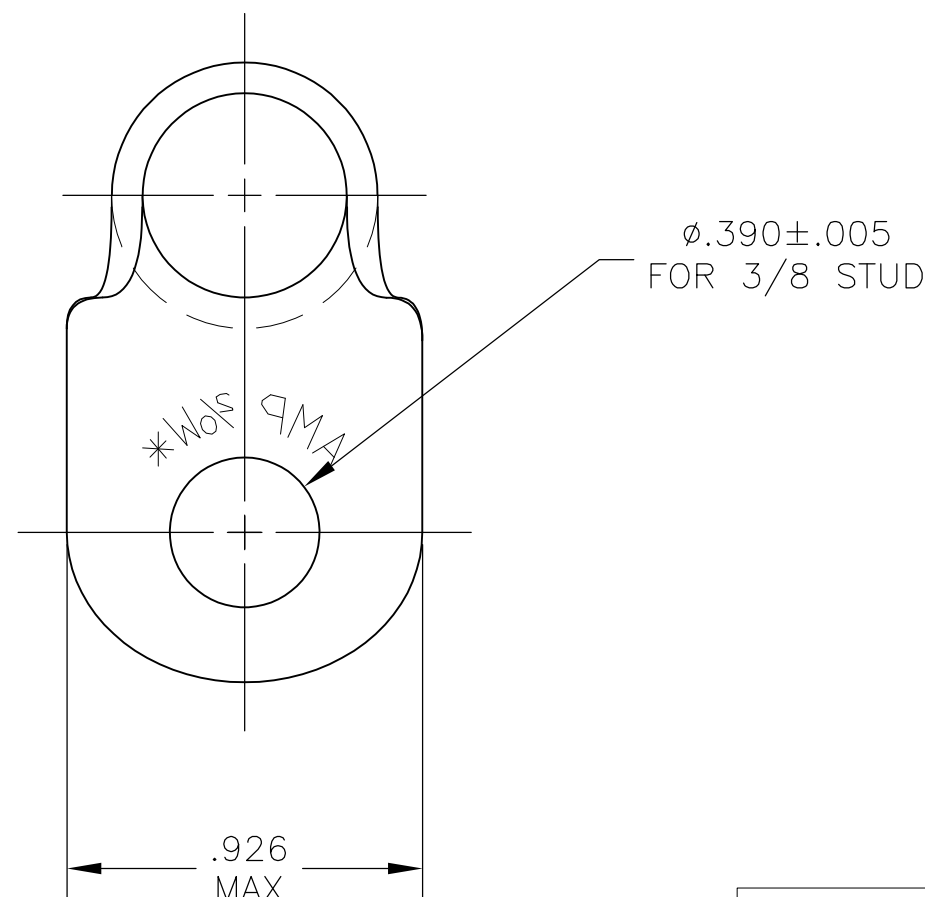
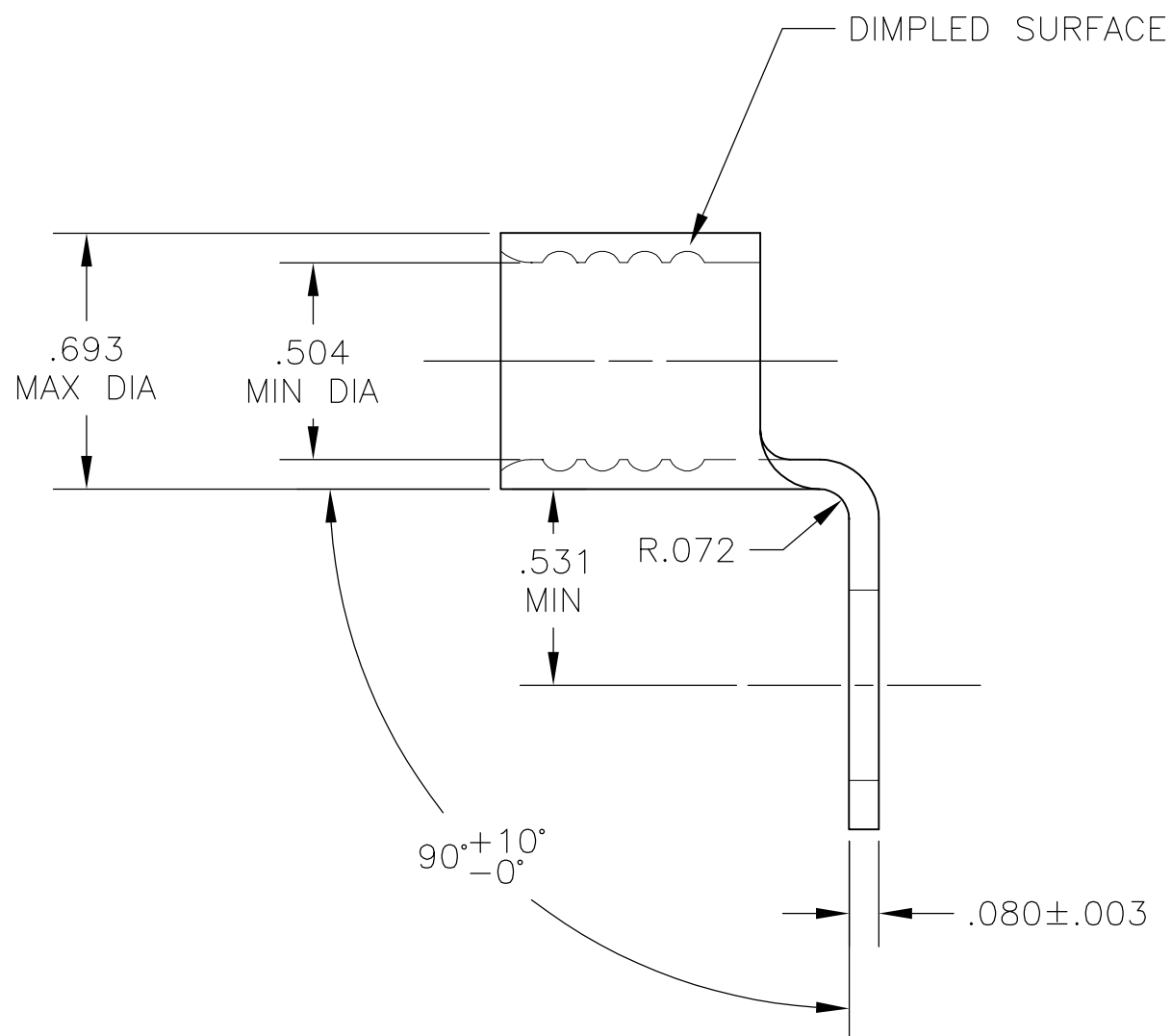
© COPYRIGHT - By -

ALL RIGHTS RESERVED.

LOC G DIST 14

REVISIONS

P	LTR	DESCRIPTION	DATE	DWN	APVD
	E1	REVISED PER ECO-12-006198	30MAR12	KH	DR



COPPER PER ASTM B-152 ANNEALED TIN PL PER ASTM B-545	322912
MATERIAL & FINISH	PART NO

THIS DRAWING IS A CONTROLLED DOCUMENT.		DWN JR RUTH 20NOV03	TE Connectivity				
DIMENSIONS: INCHES		CHK MJ SPICER 20NOV03					
TOLERANCES UNLESS OTHERWISE SPECIFIED:		APVD MJ SPICER 20NOV03	NAME				
0 PLC ± - 1 PLC ± - 2 PLC ± - 3 PLC ± .008 4 PLC ± - ANGLES ± 5°		PRODUCT SPEC	WIRE TERMINAL SOLISTRAND, RING TONGUE, BENT 90, WIRE SIZE :2/0				
MATERIAL SEE TABLE		FINISH SEE TABLE	APPLICATION SPEC	SIZE	CAGE CODE	DRAWING NO	RESTRICTED TO
			WEIGHT -	A3	00779	C-322912	-
			CUSTOMER DRAWING	SCALE 2:1	SHEET 1 OF 1	REV E1	