

## CTDLFF Series

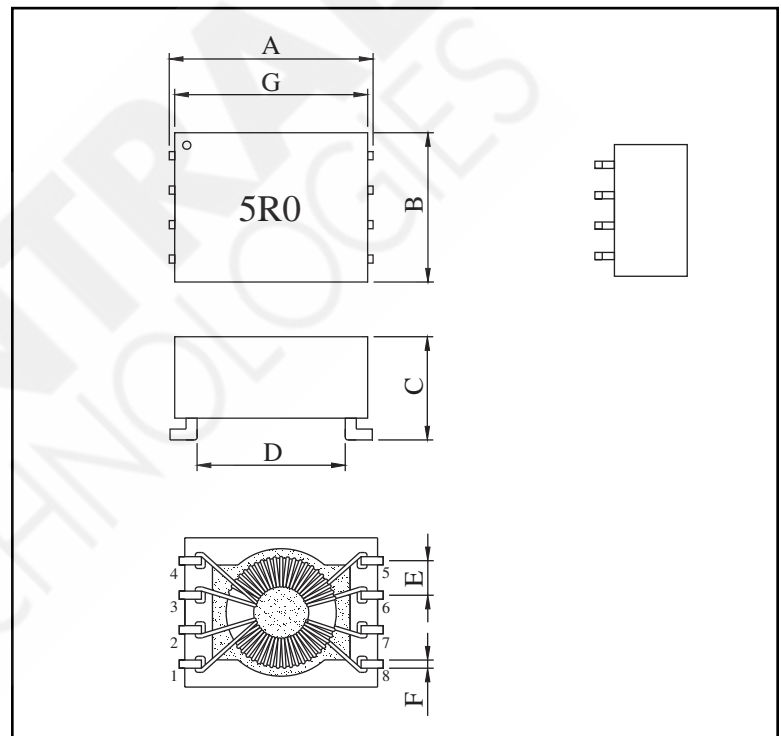
### SPECIFICATIONS

Part Number	Lines	Inductance		DCR Max. ( $\Omega$ )	Rated Current (A)	Hi-Pot 0.5mA, 2Sec
		Min. ( $\mu$ H)	Max. ( $\mu$ H)			
CTDLFF-5R0-4LA	4	5.0	0.25	0.1	200VDC	
CTDLFF-5R0-4LB	4	5.0	0.20	0.5	200VDC	
CTDLFF-5R0-3LA	3	5.0	0.25	0.1	200VDC	
CTDLFF-5R0-3LB	3	5.0	0.20	0.5	200VDC	
CTDLFF-5R0-2LA	2	5.0	0.25	0.1	200VDC	
CTDLFF-5R0-2LB	2	5.0	0.20	0.5	200VDC	



### PHYSICAL DIMENSIONS

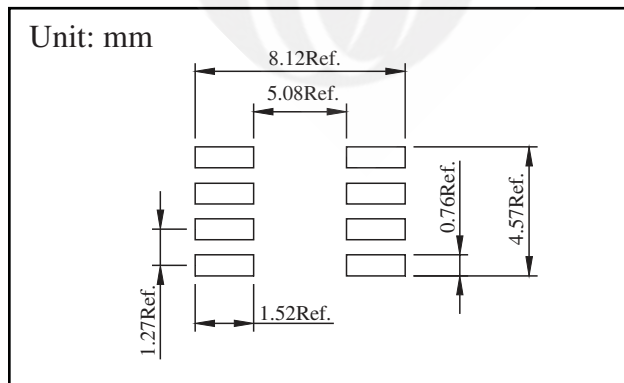
Size	A	B	C	D	E	F	G
mm	Max. 7.6	Max. 5.7	Max. 4.0	Typ. 5.6	Typ. 1.27	Typ. 0.3	Typ. 7.1
inches	0.299	0.224	0.157	0.220	0.050	0.012	0.280



### CHARACTERISTICS

- Description:** SMD Data Line EMI Filters
- Applications:** LAN's, telephones, personal computers, electronic games, etc.
- Operating Temperature:** -40°C to +85°C
- Testing:** Inductance is tested on an HP4284A at 1MHz, 0.5V
- Temperature Rise:** 40°C
- Packaging:** Tape & Reel.
- Marking:** Parts are marked with inductance code.
- Miscellaneous:** **RoHS Compliant.**
- Additional Information:** Additional electrical & physical information available upon request.
- Samples available. See website for ordering information.**

### PAD LAYOUT



### CIRCUIT DIAGRAMS

