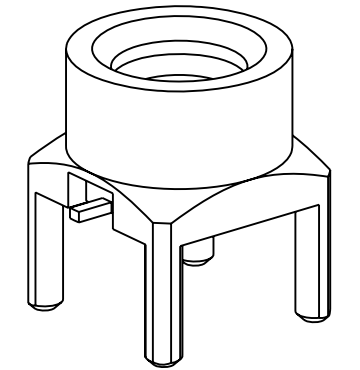
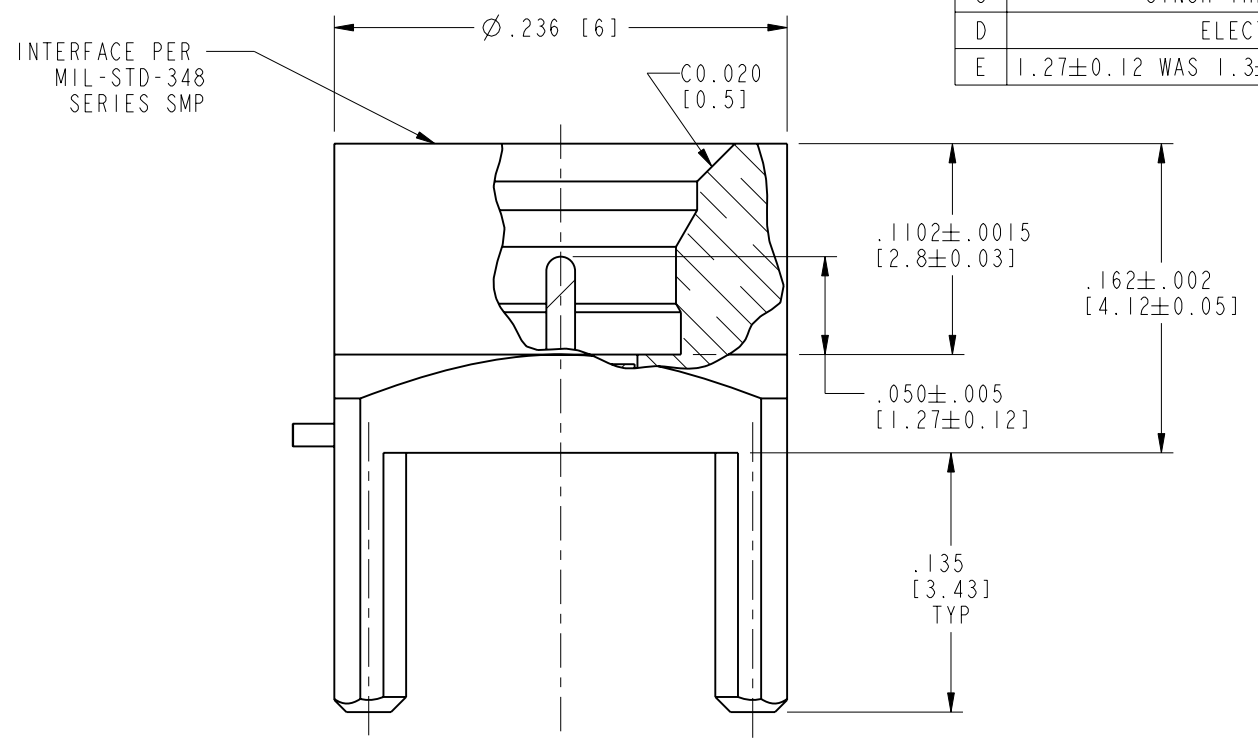


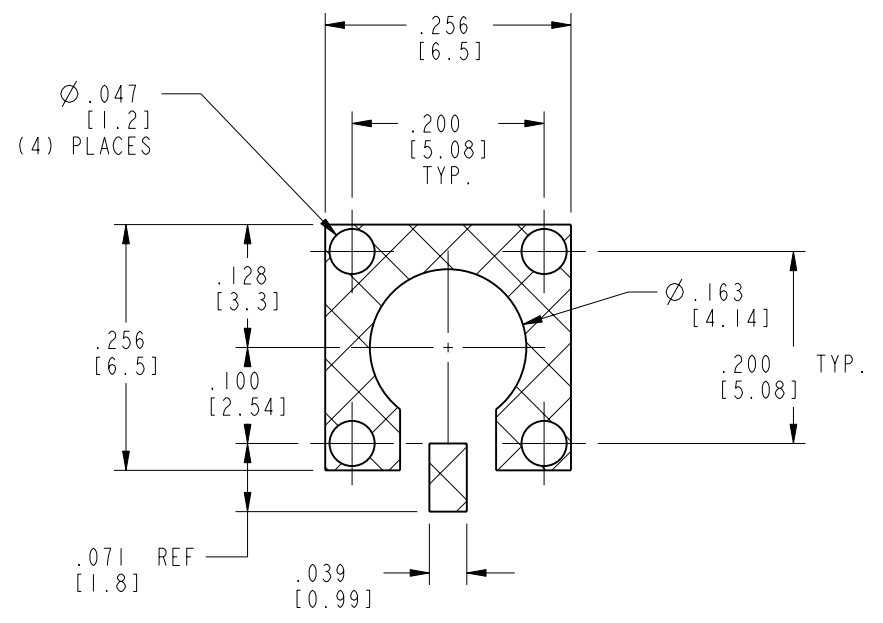
- NOTES:
- MATERIALS AND FINISHES:
 BODY - BRASS, GOLD PLATING
 CONTACT - BRASS, GOLD PLATING
 INSULATOR - LCP
 - ELECTRICAL:
 A. IMPEDANCE: 50 OHM
 B. RETURN LOSS: 26 dB MIN, DC TO 6 GHz
 20 dB MIN, 6 TO 12.4 GHz
 C. INSERTION LOSS: 0.05*SQRT(f) dB MAX; "f" IN GHz
 D. DIELECTRIC WITHSTANDING VOLTAGE: 500 VRMS, MIN.
 - PHYSICAL:
 A. DURABILITY: 500 CYCLES MIN.
 B. ENGAGEMENT FORCE: 10 LBS [45 N] MAX
 C. DISENGAGEMENT FORCE: 2 LBS [9 N] MIN
 D. INNER CONTACT RETENTION FORCE: 1.5 LB [7 N] MIN
 E. TEMPERATURE RANGE: -65° C TO +165° C
 - PACKAGING:
 A. PACKAGE CONNECTOR AS PER ROUTING INSTRUCTIONS.
 B. MARK BAG OR TAG "SMP-MSLD-PCT-4, AND DATE CODE"

THIRD ANGLE PROJ.

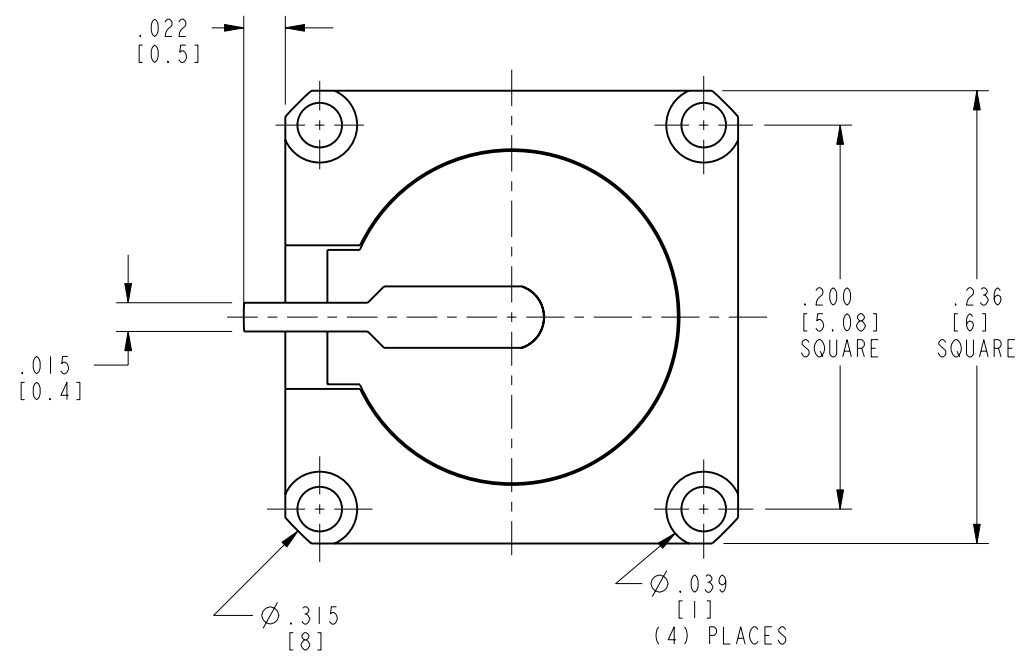
REVISIONS				
REV	DESCRIPTION	DATE	ECO	APPR
A	RELEASE TO MFG	9/1/06	46191	MY
B	INSULATOR WAS CHANGED	07-May-07	---	ANGELA
C	SYNCH THE DRAWING WITH DANBURY	07-Nov-12	49307	SH
D	ELECTRICAL SPEC UPDATE	15-Jul-13	49648	MJD
E	1.27±0.12 WAS 1.3±0.12, \VRD-13091001J8	24-Sep-13	49741	MD



SCALE 5.000



RECOMMENDED PCB FOOTPRINT
 SCALE 5.000



CUSTOMER OUTLINE DRAWING
 ALL OTHER SHEETS ARE FOR INTERNAL USE ONLY

UNLESS OTHERWISE SPECIFIED, DIMENSIONS ARE IN INCHES AND TOLERANCES ARE: 2 PLACE DECIMAL 3 PLACE DECIMAL ANGLES $\pm .015$ (0,381 mm) $\pm .005$ (0,127 mm) $\pm 1^\circ$	MATERIAL	DRAWN J. CHEN	DATE 24-Sep-13	TITLE SMP JACK, PIN CONTACT LIMITED DETENT		Amphenol RF www.amphenolrf.com	
	NOTICE - These drawings, specifications, or other data (1) are, and remain the property of Amphenol corp. (2) must be returned upon request; and (3) are confidential and not to be disclosed to any person other than those to whom they are given by Amphenol Corp. the furnishing of these drawings, specifications, or other data by Amphenol Corp., or to any other person to anyone for any purpose is not to be regarded by implication or otherwise in any manner licensing, granting rights to permitting such holder or any other person to manufacture, use or sell any product, process or design, patented or otherwise, that may in any way be related to or disclosed by said drawings, specifications, or other data.	REFERENCE EAR#2143 REF SMP-MSLD-PCT CONFIGURATION LEVEL:	ENGINEER H. PARIKH				
FINISH	APPROVED S. HSIEH	DATE 27-Sep-13	SCALE: 10.0:1.0 SHEET 2 OF 2		DRAWING NO.	SMP-MSLD-PCT-4	
		CAD FILE	DWG SIZE B	REV E	ITEM NO.	SMP-MSLD-PCT-4	
					PART NO.	SMP-MSLD-PCT-4	