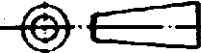


DO NOT SCALE

METRIC

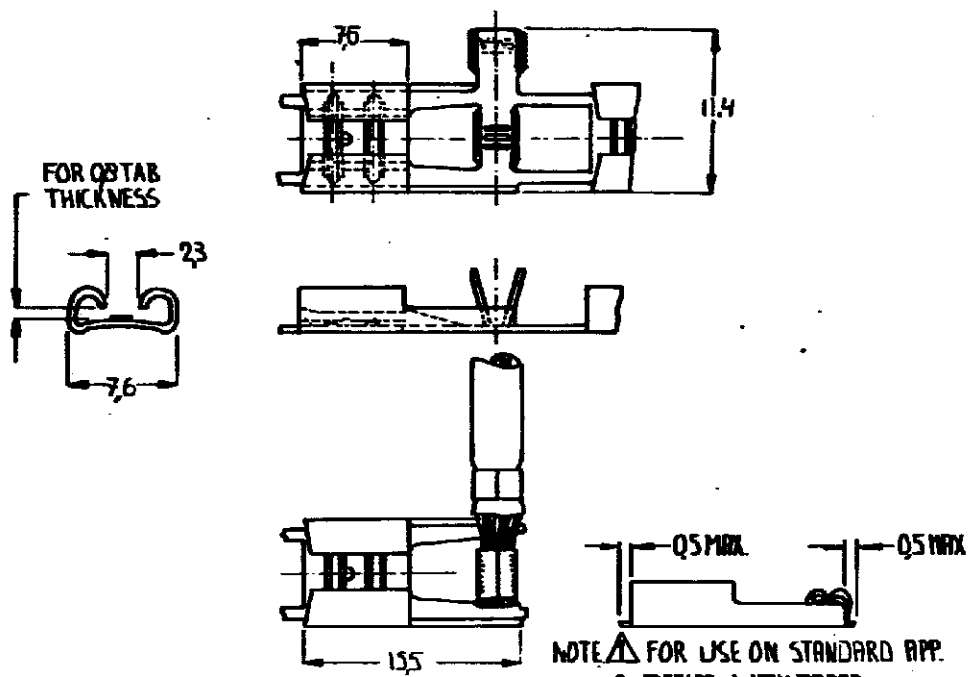
THIRD ANGLE PROJECTION



DIMENSIONS IN mm

REVISIONS

LTR	DESCRIPTION	DATE	DWN	APVD
D1	REV PER ECO-09-022178	29SEP09	KK	AEG



4 OBSOLETE PARTS: OBSOLETE CIS
STREAMLINING PER D.RENAUD/D.SINISI

NOTE: 1. FOR USE ON STANDARD APP.
2. REELED WITH PAPER
3. FOR USE ON MINIATURE APP
AMP. MOTOR APPLICATION

4 OBSOLETE

FINISH	MATERIAL	PART NUMBER
TIN PLATED	PH BRONZE	160861-8
UNPLATED	PH BRONZE	160861-7
TIN PLATED	BRASS	160861-6
UNPLATED	BRASS	160861-5
TIN PLATED	PH BRONZE	160861-4
UNPLATED	PH BRONZE	160861-3
TIN PLATED	BRASS	160861-2
UNPLATED	BRASS	160861-1

<p>CUSTOMER DRAWING</p> <p>FOR REFERENCE ONLY WILL NOT BE UPDATED</p>	<p>AMP</p> <p>AMP-HOLLAND B V s-Hertogenbosch, The Netherlands</p>	
	<p>THIS DRAWING IS UNPUB. IS REC. RELEASED FOR PUBLICATION 19</p> <p>COPYRIGHT 19 BY AMP-HOLLAND B V ALL INTERNATIONAL RIGHTS RESERVED AMP PRODUCTS MAY BE COVERED BY U.S. AND FOREIGN PATENTS AND/OR PATENTS PENDING</p>	<p>NAME</p> <p>63mm SERIES FLAG FASTENER RECEPTACLE</p>
<p>WIRE RANGE</p> <p>0.5-1.0 mm²</p> <p>INSUL RANGE</p> <p>1.4-2.3 DIA.</p>	<p>REV DATE</p> <p>D M Y</p> <p>29 04 85</p>	<p>REV LTR</p> <p>D1</p>
<p>SIZE</p> <p>A4</p>	<p>SHEET</p> <p>1 * 1</p>	<p>DRAWING NO</p> <p>C-160861-E</p>
<p>DATE</p> <p>KK 29/09/09</p>		