

4

3

2

1

THIS DRAWING IS UNPUBLISHED.

RELEASED FOR PUBLICATION

2006

LOC

DIST

REVISIONS

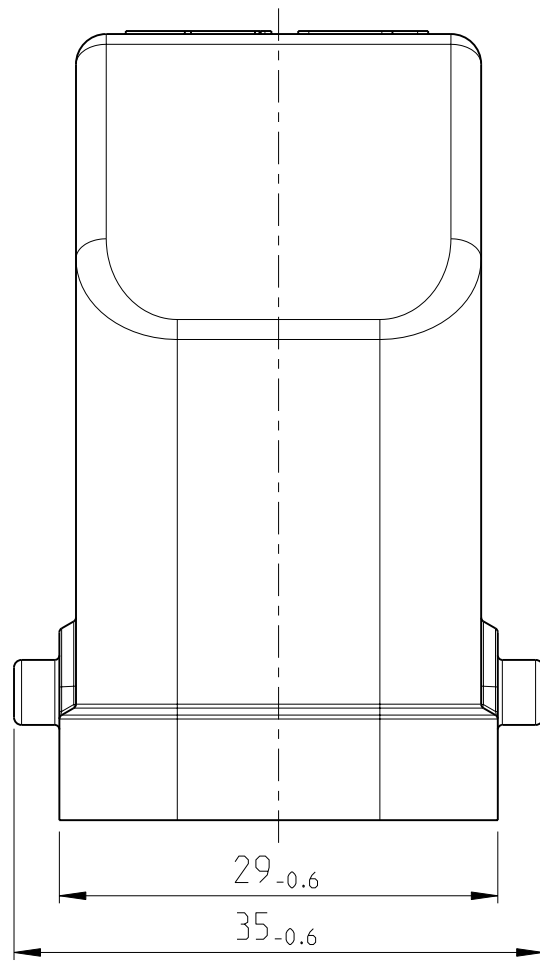
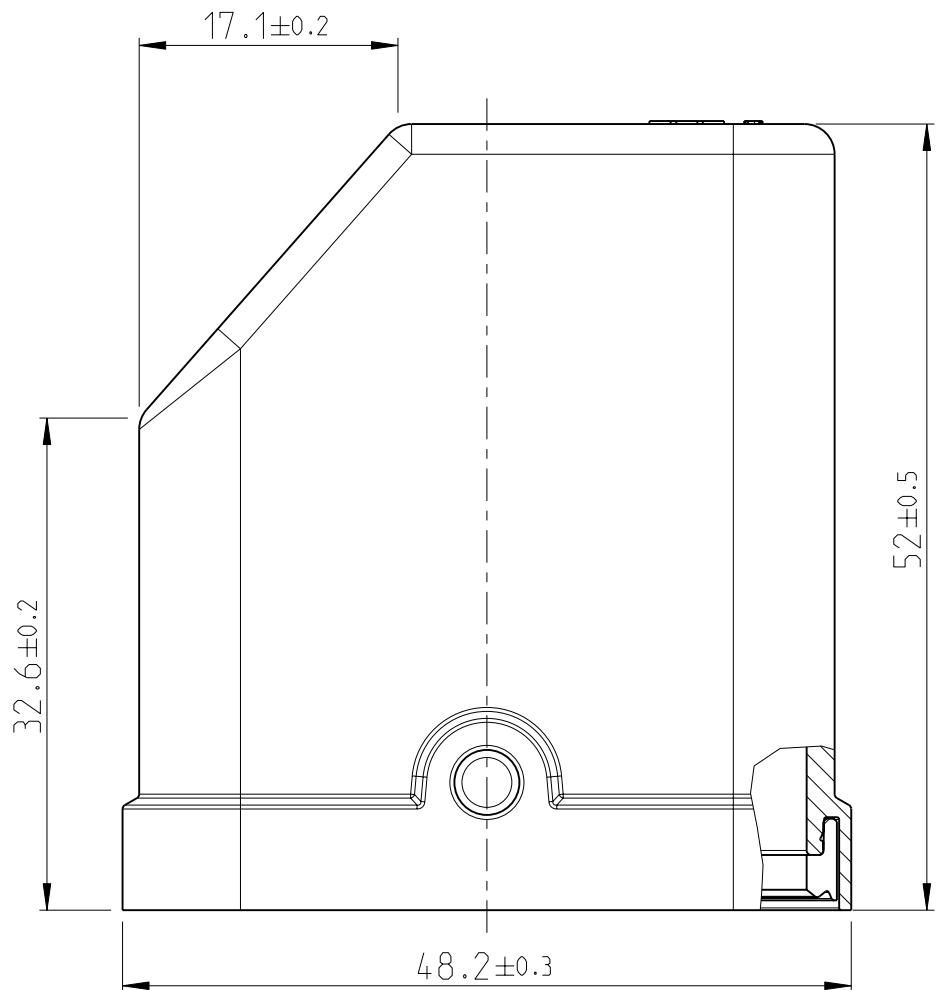
© COPYRIGHT 2006

ALL RIGHTS RESERVED.

A1

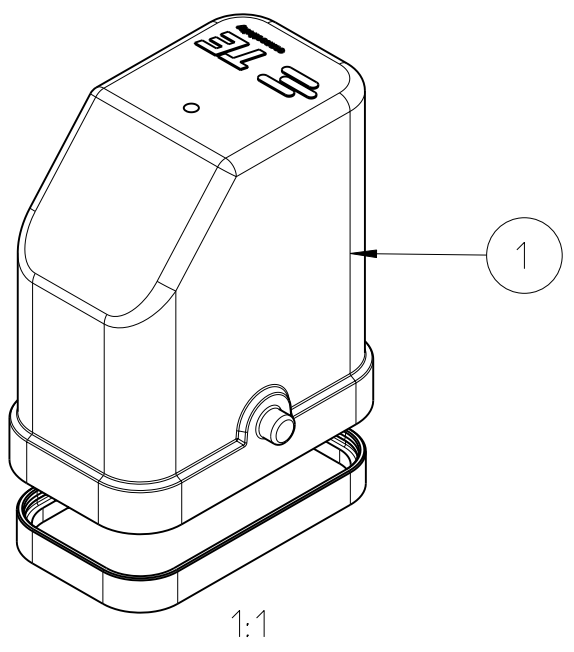
-

P	LTR	DESCRIPTION	DATE	DWN	APVD
	A1	NEW DRAWN	10NOV2010	GW	BR
	A2	ECR-11-009482	09MAY2011	VG	BR
	A3	NOTE 1 CHANGED	30AUG2011	SHE	HEIN



Notes

- 1 PACKAGING:
40 PIECES IN A CARTON



PN 0-1
AS SHOWN

QTY	DESCRIPTION	MATERIAL	SURFACE/COLOR	NOTE	ITEM
1	SEAL SYSTEM	TPV 55	BLACK	SERIES HG-Q5 / MOTORMAN HC	2
1	PROTECTION CAP	PA66-GF25	BLACK	SERIES HG-Q5 / MotorMan	1

PARTS LIST

THIS DRAWING IS A CONTROLLED DOCUMENT.		DWN G.WROBLEWSKI 10NOV2010	TE Connectivity													
DIMENSIONS: mm		CHK T.SCHNURPFIL 10NOV2010														
TOLERANCES UNLESS OTHERWISE SPECIFIED:		APVD -	NAME PROTECTION CAP ASSY SERIES HG-Q5 ; MOTORMAN HC													
<table border="0"> <tr><td>0 PLC</td><td>±</td></tr> <tr><td>1 PLC</td><td>±</td></tr> <tr><td>2 PLC</td><td>±</td></tr> <tr><td>3 PLC</td><td>±</td></tr> <tr><td>4 PLC</td><td>±</td></tr> <tr><td>ANGLES</td><td>±1°</td></tr> </table>		0 PLC	±	1 PLC	±	2 PLC	±	3 PLC	±	4 PLC	±	ANGLES	±1°	PRODUCT SPEC -	SIZE A3	
0 PLC	±															
1 PLC	±															
2 PLC	±															
3 PLC	±															
4 PLC	±															
ANGLES	±1°															
MATERIAL -		APPLICATION SPEC -	CAGE CODE 00779	DRAWING NO C-1108847												
FINISH -		WEIGHT 21g	RESTRICTED TO -													
CUSTOMER DRAWING			SCALE 5:1	SHEET 1 OF 1												
			REV A3													